

# LINEAR OPTICS AND GRIDS FOR SMD LIGHT&DARK



## LINEAR OPTICS 1R AND GRIDS 2R FOR SMD LIGHT&DARK

The highly efficient optics with light emission angles of 65° and 90°, in conjunction with the grid, provide very glare-free light with high color constancy (CLC) while maximizing uniformity of illumination even at low ceiling heights. They are therefore ideally suited for use in a wide range of recessed, surface-mounted and suspended luminaires in office, store and architectural applications.

The optics are fixed together with the module by a screw and the grid can be snapped onto the optics afterwards.

The single lenses are optimized for four 3030 or 2835 midpower LEDs from each of the leading LED manufacturers. Also two 5630 or one 5050 LED fit under the lens (max LED height 1mm) Typical LED types for use with this optic are Seoul STW8A2PD, STW8C12C, STW9C2PB (including Sunlike LEDs), Samsung LM301B, Nichia 757 (also as Tuneable White).

### Linear Optics 1R and Grids 2R for SMD Light&Dark

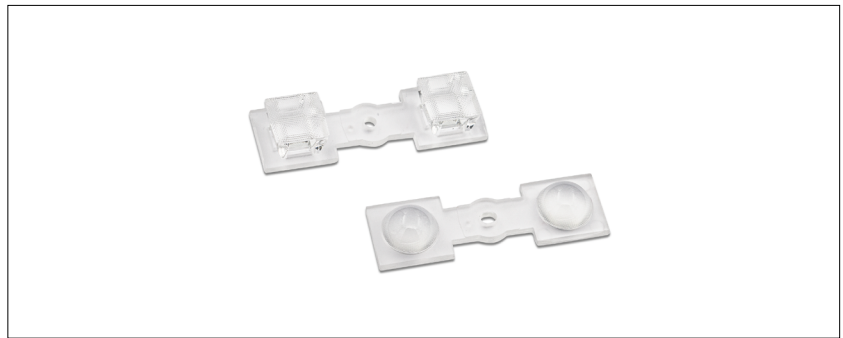
- **HIGH-QUALITY OPTICAL MATERIALS**
- **OPTICAL EFFICIENCY UP TO 92%**
- **LIGHT EMISSION ANGLE 65° AND 90° FOR HIGH UNIFORMITY**
- **OPTICS WITH CONSTANT LIGHT COLOUR OVER BEAM ANGLE (CLC)**
- **UGR OPTIMIZED OPTICS WITH GRID**



Product video



# Linear Optics 1R for SMD Light&Dark 1Rx2 80 mm



### Technical Notes

- For 235, 3030, 5630 and 5050 LEDs of the most common LED manufacturers, with up to four LEDs per lens (for 2835 and 3030).
- Material: PMMA
- Max. allowed temperature: 80 °C
- Light spot distance 40 mm
- Through hole for M3 screw and snap rivet
- Max. tightening torque for M3 screw: 0.5 Nm
- Two optics are required per 2Rx2 grid



### Lighting properties

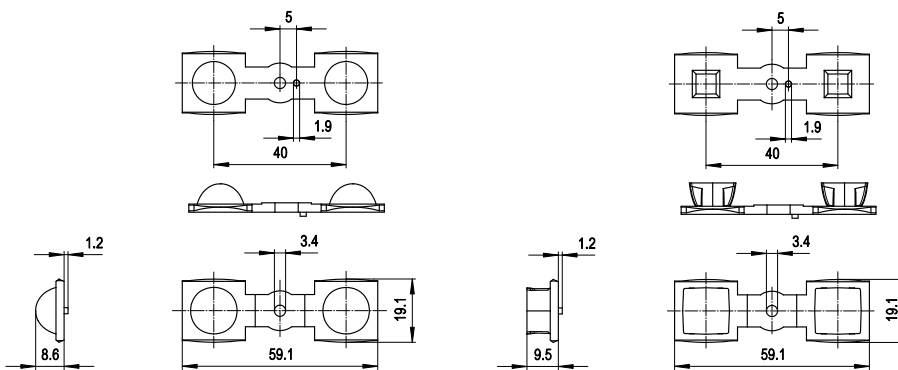
- CLC (constant light colour): very low colour temperature deviations over beam angle
- UGR: optimized glare reduction

Light distribution	Type	Ref. No.	Lighting properties	Type of construction	Efficiency %	Weight g	Packaging unit pcs.
Medium 65°	91471	<b>572628</b>	UGR, CLC	1Rx2	91	3.5	390
Wide 90°	91472	<b>572636</b>	UGR, CLC	1Rx2	92	4.7	390

\* Measured with a white grid

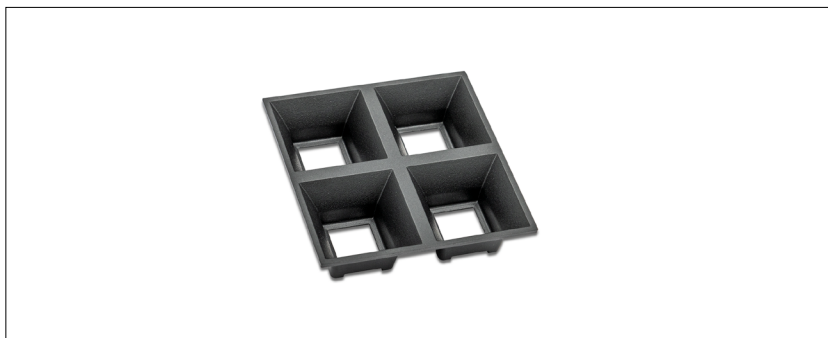
### Type 91471

### Type 91472



The values contained in this data sheet can change due to technical innovations. Any such changes will be made without separate notification.

## Linear Grids 2R for SMD Light&Dark 2Rx2 80 mm



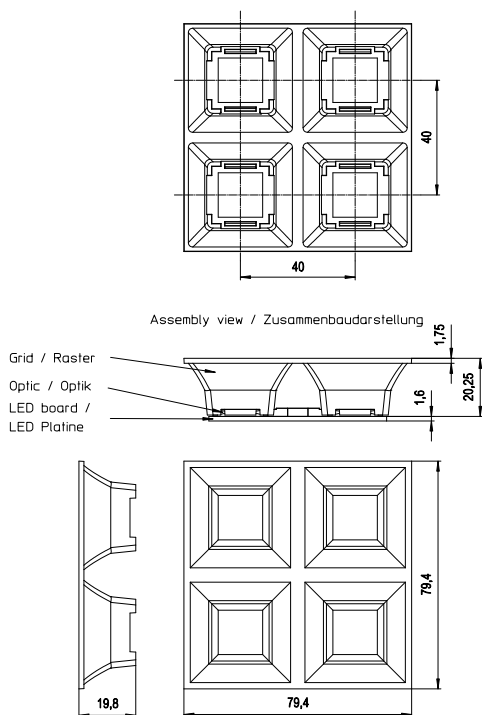
### Technical Notes

- Material: PC white and black
- Max. allowed temperature: 80 °C
- Light spot distance 40 mm
- Clip fixing with optics
- Matt surfaces
- 2Rx2 grid with short ends



Type	Ref. No.	Type of construction	Color	Weight g	Packaging unit pcs.
91420	<b>572669</b>	2Rx2 short ends	white	20	195
91420	<b>572670</b>	2Rx2 short ends	black	20	195

### Type 91420



The values contained in this data sheet can change due to technical innovations. Any such changes will be made without separate notification.

## Linear Optics 1R for SMD Light&Dark

### Typ. light distributions with VS LED modules (With 2x2 Seoul 2835 LEDs (STW8A2PD))

At [www.vossloh-schwabe.com](http://www.vossloh-schwabe.com) you will find further light distribution curves with other LED types as well as all data in .ldt and .ies format for download.



### Suitable VS LED modules

For optics 65° and 90°

VS LED modules	Module type	Optics type
LED SMD W6.2 light and Dark Square	WU-M-709	2x1 65°, 90°

The values contained in this data sheet can change due to technical innovations. Any such changes will be made without separate notification.