

AP Series-Installation with Profiles

EXC - P53AP2

EXC-P53AP2 full-color series consists of full-color chip LED string pixel lights specially designed by EXC for outdoor landscape lighting. It adopts top-level optical vision angle design, super remote multi-color and visual brightness consistency technology and precision control. Each pixel is a separate four-primary lighting pixel, and each pixel can realize 65536 grades gray scale changing; they can be used for extra-large area display of building facades, contour shaping, interior and exterior surface decoration lighting; the pixel pitch can be customized; the installation methods are various.

Features

- New-generation DMX512 parallel bus technology
- Close range anti-glare optical design
- Integrated clip-on endless connection
- Fully sealed and waterproof design with high thermal conductive adhesive imported from Germany
- Special outdoor lightning and ESD protection design



Basic Parameters

Basic parameters

Color: RGB+W
 Light source: 6x3535 RGB+3x2835 W
 Life: 50,000h
 Material: flame-retardant and weatherproof engineering plastic /PC lens
 Weight: 55g

Working conditions

Operating temperature: -40°C-50°C
 Storage temperature: -40°C-65°C
 Protection rating: IP66
 Application environment: Outdoor

Electrical parameters

Operating voltage: DC 24V
 Maximum power: 3W

Optical parameters

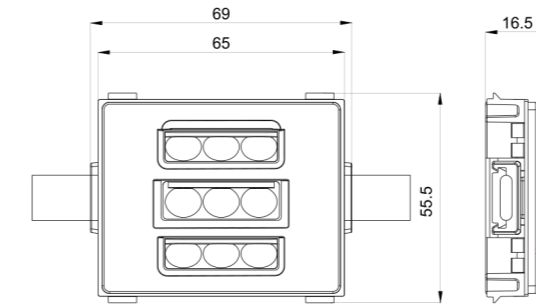
Central light intensity: ≥31cd(RGBW)
 Beam angle: 120°、70X120°、80X120°

Controller

Master controller: EXC-4000series, EXC-5000series, EXC-6000series, EXC-8000series, EXC-10000series.....
 Slave controller: EXC-2901、EXC-2905.....

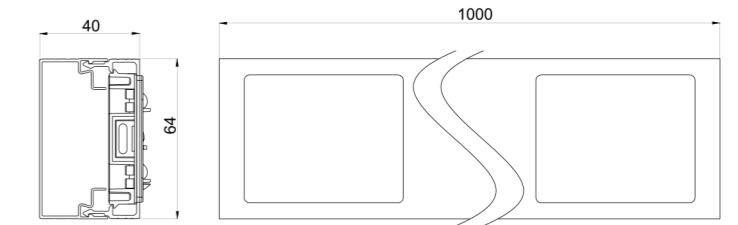
Product Size

Unit: mm



Schematic Diagram of Installation Method

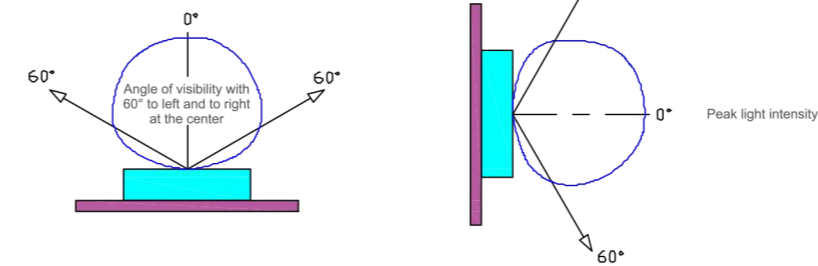
Installation with profiles



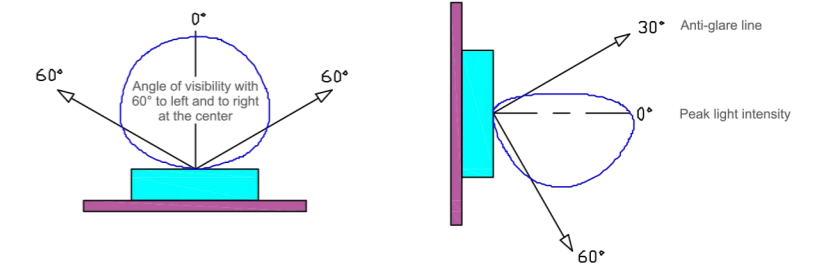
Light Distribution Curve

The blue curve is a schematic curve for light intensity.

Conventional



Polarization



Available Models

Product model	Working voltage	Power	Light source	Angle	Control protocol	Gray scale	Material	Central light intensity	LED brand
P53AP2	DC24V	2.7W	9xW	120°/70°X120°/ 80°X120° Polarization	ON/OFF	/	Engineering plastics	≥45cd	Note 1
P53AP2	DC15V	2.7W	9xRGB	120°/70°X120°/ 80°X120° Polarization	DMX512	256/65536	Engineering plastics	≥27cd	Note 1
P53AP2	DC24V	3.0W	6xRGB + 3xW	120°/70°X120°/ 80°X120° Polarization	DMX512	256/65536	Engineering plastics	≥36.5cd	Note 1

Note 1: LED brand: CREE/OSRAM/LUMILEDS/ Epistar/Mainland China series
 Note 2: The above optical parameter > 2700K; CREE chip as reference.

GP Series-Installation with Mounting Seats/Front-loading Buckles/Steel Wires

EXC - P42GP0

EXC-P42GP0 series consists of full-color chip LED string pixel lights specially designed by EXC for outdoor landscape lighting. Each pixel is a separate lighting pixel, and each pixel can realize 65536 grades gray scale changing; they can be used for extra-large area display of building façades, contour shaping, interior and exterior surface decoration lighting; the pixel pitch can be customized; the installation methods are various.



Features

- New-generation DMX512 parallel bus technology
- Integrated clip-on endless connection
- Fully sealed and waterproof design with high thermal conductive adhesive imported from Germany
- Special outdoor lightning and ESD protection design
- The product is flexible, adaptable to various application conditions with optional installation methods.

Basic Parameters

Basic parameters

Color: RGB
 Light source: 6x3535 RGB
 Life: 50,000h
 Material: flame-retardant and weatherproof engineering plastic /PC lens
 Weight: 35g

Working conditions

Operating temperature: -40°C-50°C
 Storage temperature: -40°C-65°C
 Protection rating: IP66
 Application environment: Outdoor

Electrical parameters

Operating voltage: DC 15V/24V
 Maximum power: 1.8W

Optical parameters

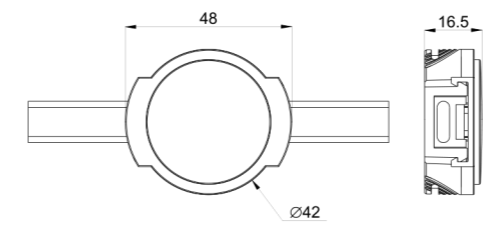
Central light intensity: ≥15cd(RGB)
 Beam angle: ≥110°

Controller

Master controller: EXC-4000series, EXC-5000series, EXC-6000series, EXC-8000series, EXC-10000series.....
 Slave controller: EXC-2901, EXC-2905.....

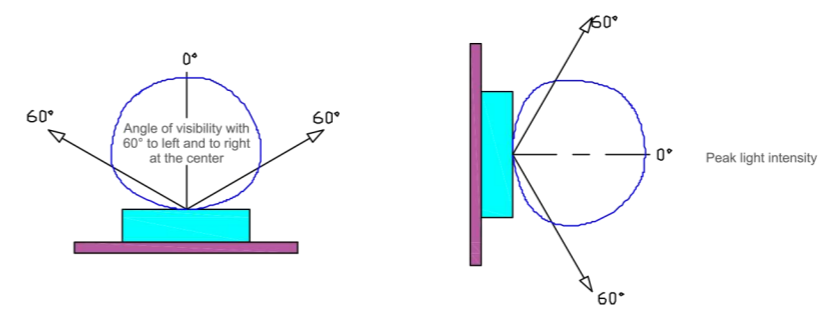
Product Size

Unit: mm



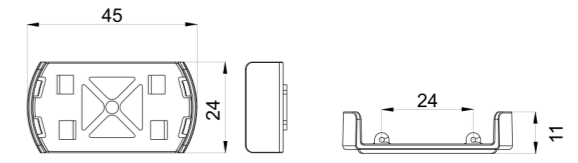
Light Distribution Curve

The blue curve is a schematic curve for light intensity.

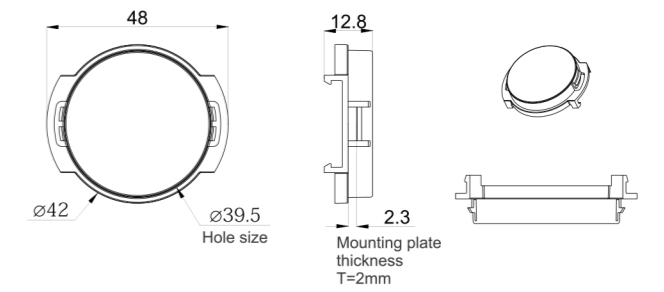


Schematic Diagram of Installation Method

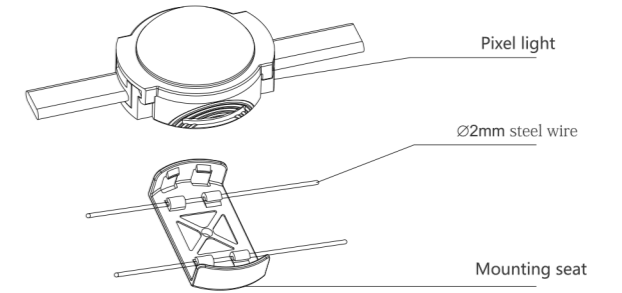
Mount with a mounting base



Front loading buckle installation



Installation with steel wire



Available Models

Product model	Working voltage	Power	Light source	Angle	Control protocol	Gray scale	Material	Central light intensity	LED brand
P42GP0	DC15V	1.2W	4xW	110°	ON/OFF	/	Engineering plastics	≥20cd	Note 1
P42GP0	DC24V	1.8W	6xW	110°	ON/OFF	/	Engineering plastics	≥30cd	Note 1
P42GP0	DC15V	0.9W	4xRGB	110°	DMX512	256/65536	Engineering plastics	≥15cd	Note 1
P42GP0	DC24V	1.5W	6xRGB	110°	DMX512	256/65536	Engineering plastics	≥15cd	Note 1
P42GP0	DC15V	1.2W	3xRGB+1xW	110°	DMX512	256/65536	Engineering plastics	≥14cd	Note 1
P42GP0	DC15V	1.8W	3xRGB+3xW	110°	DMX512	256/65536	Engineering plastics	≥16cd	Note 1
P42GP0	DC24V	1.8W	4xRGB+2xW	110°	DMX512	256/65536	Engineering plastics	≥22cd	Note 1

Note 1: LED brand: CREE/OSRAM/LUMILEDS/ Epistar/Mainland China series
 Note 2: The above optical parameter > 2700K; CREE chip as reference.

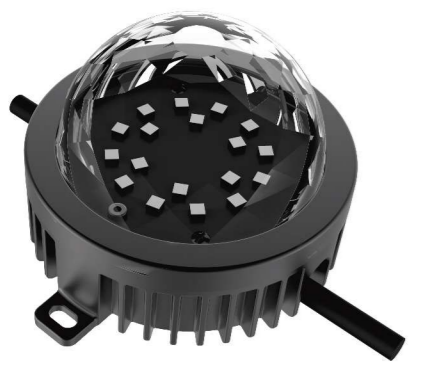
DM Series- Installation by Screws /Adhesive

EXC - P85DM0/1

EXC-P85DM series consists of full-color chip LED string pixel lights specially designed by EXC for outdoor landscape lighting. It adopts top-level optical vision angle design, super remote multi-color and visual brightness consistency technology and precision control. Each pixel is a separate four-primary color lighting pixel, and each pixel can realize 65536 grades gray scale changing; they can be used for extra-large area display of building façades, contour shaping, interior and exterior surface decoration lighting; the pixel pitch can be customized; the installation methods are various.



EXC-P85DM0
Side outlet only



EXC-P85DM1
Non-central bottom outlet

Features

- New-generation DMX512 parallel bus technology
- Integrated clip-on endless connection
- Fully sealed and waterproof design with high thermal conductive adhesive imported from Germany
- Special outdoor lightning and ESD protection design

Basic Parameters

Basic parameters

Color: RGB
Light source: 24x3535 RGB
Life: 50,000h
Material: High-strength die-cast aluminum/PC lens
Weight: 250g

Working conditions

Operating temperature: -40°C-50°C
Storage temperature: -40°C-65°C
Protection rating: IP66
Application environment: Outdoor

Electrical parameters

Operating voltage: DC 24V
Maximum power: 6W

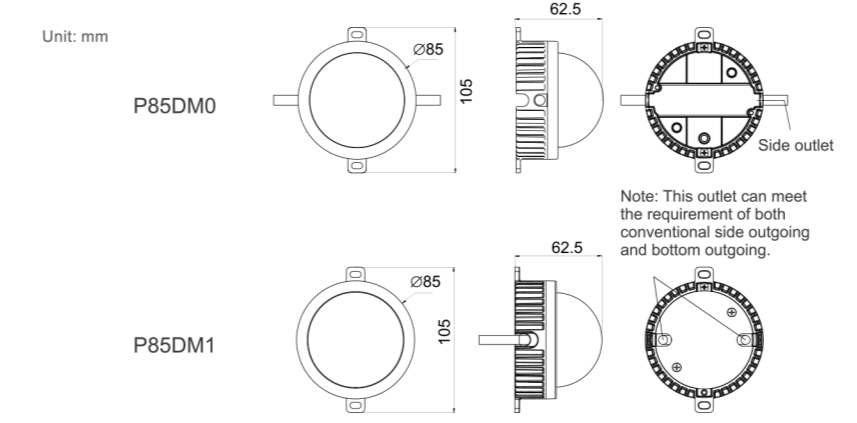
Optical parameters

Central light intensity: ≥50cd(RGB)
Beam angle: ≥110°

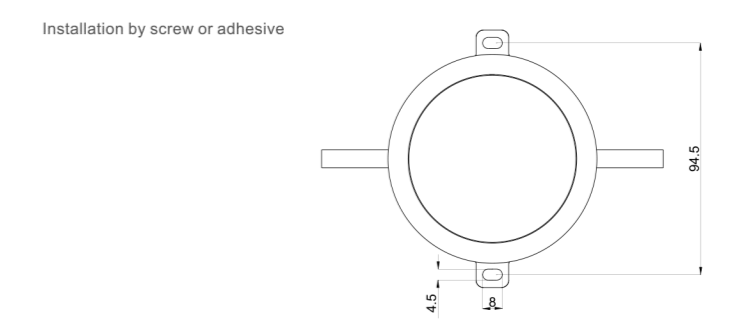
Controller

Master controller: EXC-4000series, EXC-5000series, EXC-6000series, EXC-8000series, EXC-10000series.....
Slave controller: EXC-2901, EXC-2905.....

Product Size

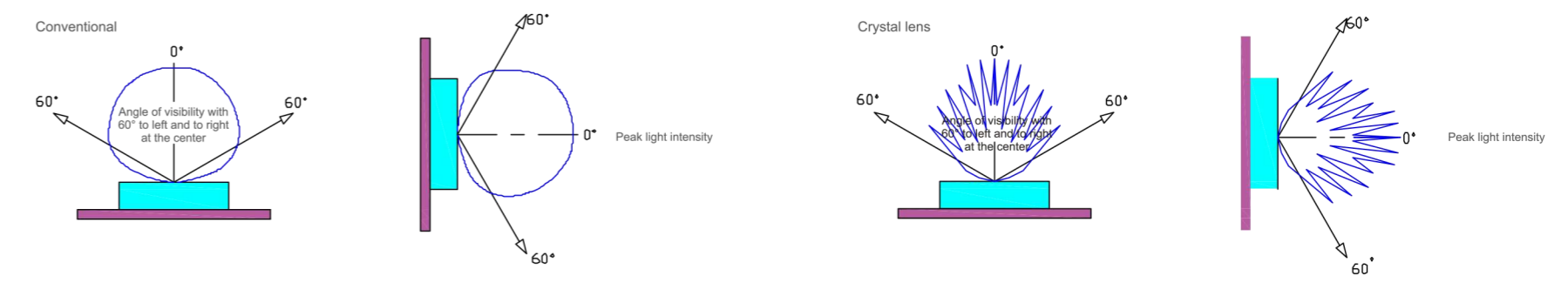


Schematic Diagram of Installation Method



Light Distribution Curve

The blue curve is a schematic curve for light intensity.



Available Models

Product model	Working voltage	Power	Light source	Angle	Control protocol	Gray scale	Material	Central light intensity	LED brand
P85DM0	DC24V	3W	12xW	110°/120°	ON/OFF	/	Aluminium	≥58cd	Note 1
P85DM0	DC24V	6W	18xW	110°/120°	ON/OFF	/	Aluminium	≥100cd	Note 1
P85DM0	DC24V	3W	12xRGB	110°/120°	DMX512	256/65536	Aluminium	≥30cd	Note 1
P85DM0	DC24V	4W	18xRGB	110°/120°	DMX512	256/65536	Aluminium	≥40cd	Note 1
P85DM0	DC24V	5W	24xRGB	110°/120°	DMX512	256/65536	Aluminium	≥50cd	Note 1
P85DM0	DC24V	3W	6xRGB+6xW	110°/120°	DMX512	256/65536	Aluminium	≥40cd	Note 1
P85DM0	DC24V	5W	12xRGB+6xW	110°/120°	DMX512	256/65536	Aluminium	≥61cd	Note 1
P85DM1	DC24V	3W	12xW	110°/120°	ON/OFF	/	Aluminium	≥58cd	Note 1
P85DM1	DC24V	6W	18xW	110°/120°	ON/OFF	/	Aluminium	≥100cd	Note 1
P85DM1	DC24V	3W	12xRGB	110°/120°	DMX512	256/65536	Aluminium	≥30cd	Note 1
P85DM1	DC24V	4W	18xRGB	110°/120°	DMX512	256/65536	Aluminium	≥40cd	Note 1
P85DM1	DC24V	3W	6xRGB+6xW	110°/120°	DMX512	256/65536	Aluminium	≥40cd	Note 1
P85DM1	DC24V	5W	12xRGB+6xW	110°/120°	DMX512	256/65536	Aluminium	≥61cd	Note 1

Note 1: LED brand: CREE/OSRAM/LUMILEDS/ Epistar/Mainland China series
Note 2: The above optical parameter > 2700K; CREE chip as reference.

EXC - W30BBL

EXC-W30BBL series consists of strip-shaped small-power wall washer lights with high-strength aluminum alloy housing specially designed by EXC for outdoor landscape lighting. It could be used for illumination in specific areas or landscape wash lighting, applicable on building facades, bridges, stages, etc. There are many options for lamp length specifications available.

Features

- Heat dissipation design ensured by aluminum housing and low thermal resistance path
- Special outdoor lightning and ESD protection design
- New-generation DMX512 parallel bus technology
- Wall washing height: 0.5-1m

Basic Parameters

Basic parameters

Color: W, RGB, RGBW
 Light source: 2835, 3535
 Life: 50,000h
 Material: High strength aluminum alloy/tempered glass
 Weight: 0.94Kg

Working conditions

Operating temperature: -40°C-50°C
 Storage temperature: -40°C-65°C
 Protection rating: IP66
 Application environment: Outdoor

Electrical parameters

Operating voltage: DC 24V
 Maximum power: 12W

Optical parameters

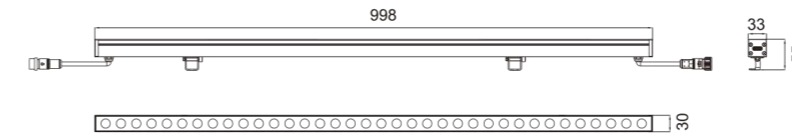
Luminous flux: ≥780LM(W)
 Beam angle: 20°, 25°45°, and other angles optional

Controller

Master controller: EXC-4000series, EXC-5000series, EXC-6000series, EXC-8000series, EXC-10000series.....
 Slave controller: EXC-2901, EXC-2905.....

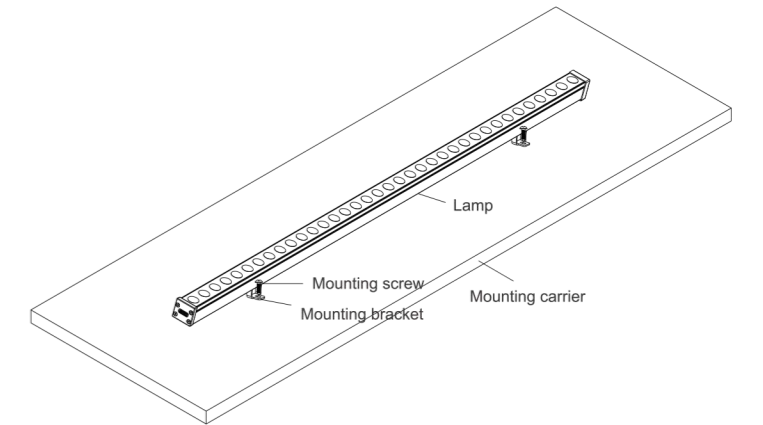
Product Size

Unit : mm

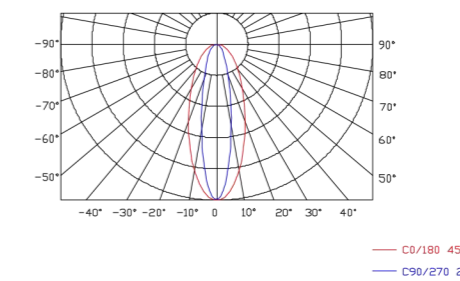
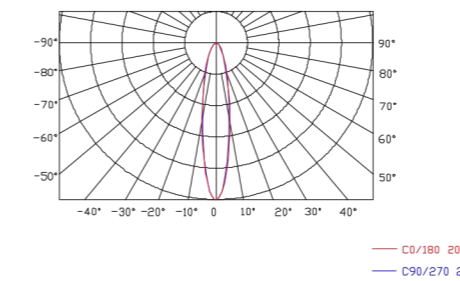


Schematic Diagram of Installation Method

Use M4 expansion screws to fix the mounting seat to the required position as shown in the figure. The specific spacing shall be based on the length of lights.



Light Distribution Curve



Available Models

Product model	Working voltage	Power	Light source	Angle	Control protocol	Gray scale	Material	Energy efficiency value	LED brand
W30BBL	DC24V	10W	36xW	20°、25°45°	ON/OFF	/	Aluminium + Glass	≥65 lm/w	Note 1
W30BBL	DC24V	12W	48xW	20°、25°45°	ON/OFF	/	Aluminium + Glass	≥65 lm/w	Note 1
W30BBL	DC24V	12W	48xW	20°、25°45°	DMX512	256/65536	Aluminium + Glass	≥65 lm/w	Note 1
W30BBL	DC24V	12W	48xRGB	20°、25°45°	DMX512	256/65536	Aluminium + Glass	≥30 lm/w	Note 1
W30BBL	DC24V	12W	24xRGB+24xW	25°45°	DMX512	256/65536	Aluminium + Glass	≥40 lm/w	Note 1

Note 1: LED brand: CREE/OSRAM/LUMILEDS/ Epistar/Mainland China series
 Note 2: The above optical parameter > 2700K; CREE chip as reference.

EXC - W30ARL

EXC-W30ARL series consists of strip-shaped small-power wall washer lights with high-strength aluminum alloy housing specially designed by EXC for outdoor landscape lighting. It could be used for illumination in specific areas or landscape wash lighting, applicable on building facades, bridges, stages, etc. There are many options for lamp length specifications available.

Features

- Heat dissipation design ensured by aluminum housing and low thermal resistance path
- Special outdoor lightning and ESD protection design
- New-generation DMX512 parallel bus technology
- Wall washing height: 0.5-1m



Basic Parameters

Basic parameters

Color: W, RGB, RGBW
 Light source: 2835, 3535
 Life: 50,000h
 Material: High strength aluminum alloy/tempered glass
 Weight: 0.99Kg

Working conditions

Operating temperature: -40°C-50°C
 Storage temperature: -40°C-65°C
 Protection rating: IP66
 Application environment: Outdoor

Electrical parameters

Operating voltage: DC 24V
 Maximum power: 12W

Optical parameters

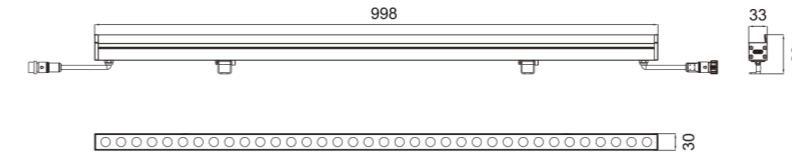
Luminous flux: ≥780LM(W)
 Beam angle: 20°, 25°45°, and other angles optional

Controller

Master controller: EXC-4000series, EXC-5000series, EXC-6000series, EXC-8000series, EXC-10000series.....
 Slave controller: EXC-2901, EXC-2905.....

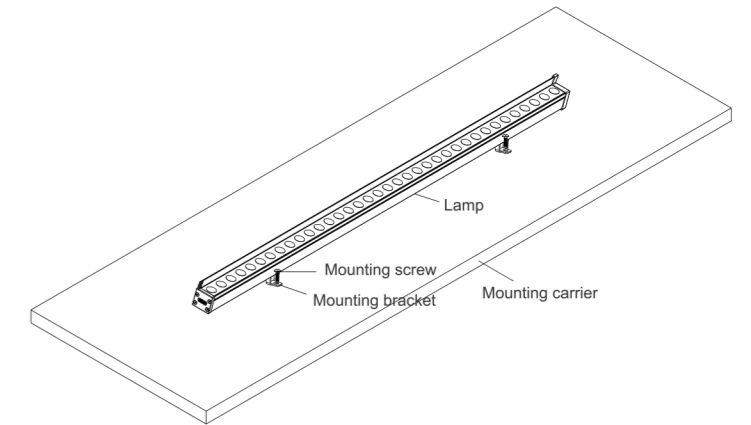
Product Size

Unit : mm

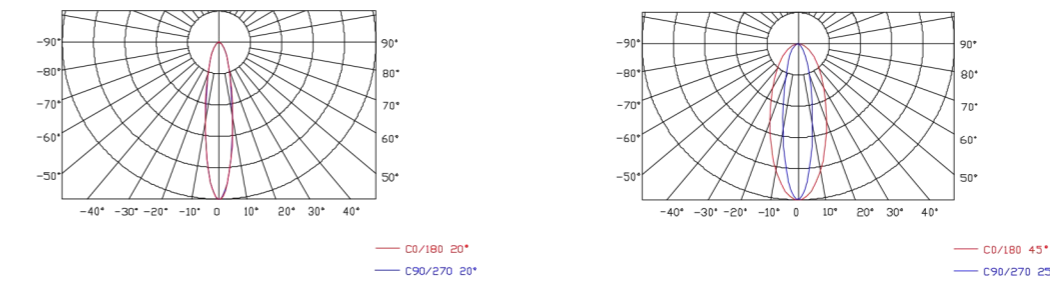


Schematic Diagram of Installation Method

Use M4 expansion screws to fix the mounting seat to the required position as shown in the figure. The specific spacing shall be based on the length of lights.



Light Distribution Curve



Available Models

Product model	Working voltage	Power	Light source	Angle	Control protocol	Gray scale	Material	Energy efficiency value	LED brand
W30ARL	DC24V	10W	36xW	20°、25°45°	ON/OFF	/	Aluminium + Glass	≥65 lm/w	Note 1
W30ARL	DC24V	12W	48xW	20°、25°45°	ON/OFF	/	Aluminium + Glass	≥65 lm/w	Note 1
W30ARL	DC24V	12W	48xW	20°、25°45°	DMX512	256/65536	Aluminium + Glass	≥65 lm/w	Note 1
W30ARL	DC24V	12W	48xRGB	20°、25°45°	DMX512	256/65536	Aluminium + Glass	≥30 lm/w	Note 1
W30ARL	DC24V	12W	24xRGB+24xW	25°45°	DMX512	256/65536	Aluminium + Glass	≥40 lm/w	Note 1

Note 1: LED brand: CREE/OSRAM/LUMILEDS/ Epistar/Mainland China series
 Note 2: The above optical parameter > 2700K; CREE chip as reference.

EXC - W42BBL

EXC-W42BBL/BRL full-color controllable series consists of strip-shaped full-color high-power wall washer light with high-strength aluminum-alloy housing specially designed by EXC for outdoor landscape lighting. Each light is a separate lighting pixel, and each pixel can realize 65536 grades gray scale changing. It could be used for illumination in specific areas or landscape wash lighting, applicable on building facades, bridges, stages, etc. There are many options for lamp length specifications available.

Features

- New-generation DMX512 parallel bus technology
- Patented comb convection heat dissipation design
- Heat dissipation through low thermal resistance path
- Unique waterproof and breathable design
- Special outdoor lightning and ESD protection design
- Wall washing height: 1-3m



Basic Parameters

Basic parameters

Color: W, RGB, RGBW
 Light source: 3030, 3535, 5050
 Life: 50,000h
 Material: High strength aluminum alloy/tempered glass
 Weight: 1.61Kg

Working conditions

Operating temperature: -40°C-50°C
 Storage temperature: -40°C-65°C
 Protection rating: IP66
 Application environment: Outdoor

Electrical parameters

Operating voltage: DC 24V
 Maximum power: 24W

Optical parameters

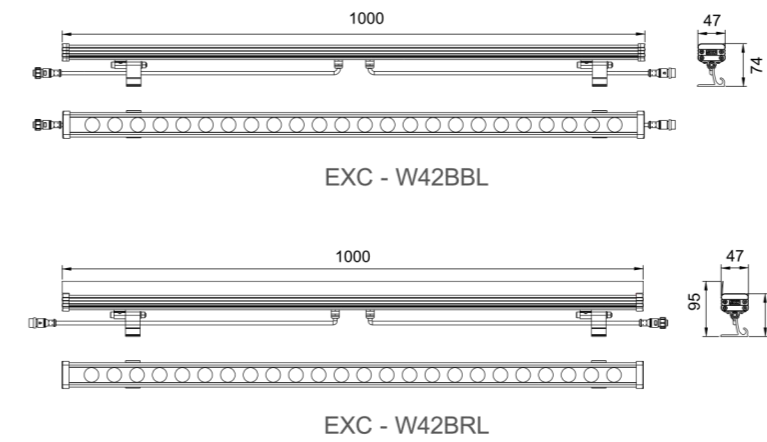
Luminous flux: $\geq 1800\text{LM(W)}$
 Beam angle: 12°22', 16°50', and other angles optional

Controller

Master controller: EXC-4000series, EXC-5000series, EXC-6000series, EXC-8000series, EXC-10000series.....
 Slave controller: EXC-2901, EXC-2905.....

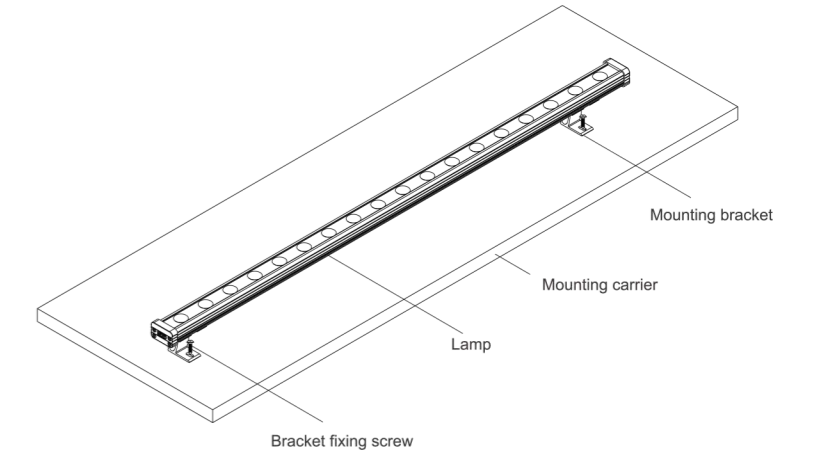
Product Size

Unit : mm

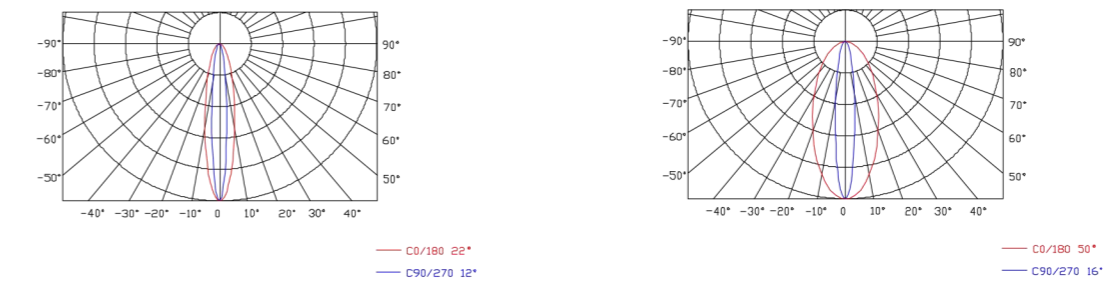


Schematic Diagram of Installation Method

Use M6 expansion screws to fix the mounting seat to the required position as shown in the figure. The specific spacing shall be based on the length of lights.



Light Distribution Curve



Available Models

Product model	Working voltage	Power	Light source	Angle	Control protocol	Gray scale	Material	Energy efficiency value	LED brand
W42BBL	DC24V	18W	18xW	12°22', 16°50°	ON/OFF	/	Aluminium + Glass	≥ 75 lm/w	Note 1
W42BBL	DC24V	24W	24xW	12°22', 16°50°	ON/OFF	/	Aluminium + Glass	≥ 75 lm/w	Note 1
W42BBL	DC24V	18W	18xRGB	12°22', 16°50°	DMX512	256/65536	Aluminium + Glass	≥ 35 lm/w	Note 1
W42BBL	DC24V	24W	24xRGB	12°22', 16°50°	DMX512	256/65536	Aluminium + Glass	≥ 35 lm/w	Note 1
W42BBL	DC24V	24W	18xRGBW	12°22', 16°50°	DMX512	256/65536	Aluminium + Glass	≥ 40 lm/w	Note 1
W42BBL	DC24V	24W	24xRGBW	12°22', 16°50°	DMX512	256/65536	Aluminium + Glass	≥ 40 lm/w	Note 1
W42BRL	DC24V	18W	18xW	12°22', 16°50°	ON/OFF	/	Aluminium + Glass	≥ 75 lm/w	Note 1
W42BRL	DC24V	24W	24xW	12°22', 16°50°	ON/OFF	/	Aluminium + Glass	≥ 75 lm/w	Note 1
W42BRL	DC24V	18W	18xRGB	12°22', 16°50°	DMX512	256/65536	Aluminium + Glass	≥ 35 lm/w	Note 1
W42BRL	DC24V	24W	24xRGB	12°22', 16°50°	DMX512	256/65536	Aluminium + Glass	≥ 35 lm/w	Note 1
W42BRL	DC24V	24W	18xRGBW	12°22', 16°50°	DMX512	256/65536	Aluminium + Glass	≥ 40 lm/w	Note 1
W42BRL	DC24V	24W	24xRGBW	12°22', 16°50°	DMX512	256/65536	Aluminium + Glass	≥ 40 lm/w	Note 1

Note 1: LED brand: CREE/OSRAM/LUMILEDS/ Epistar/Mainland China series
 Note 2: The above optical parameter > 2700K; CREE chip as reference.

U Series - General Wall Washer Light



EXC - W66ABL

EXC-W66ABL full-color series consists of strip-shaped wall washer lights with high-strength aluminum-alloy housing specially designed by EXC for outdoor landscape lighting. It could be used for illumination in specific areas or landscape wash lighting, applicable on building facades, bridges, stages, etc. There are many options for lamp length specifications available.

Features

- New-generation DMX512 parallel bus technology
- Multi-section controls with built-in drive boxes on the side, easy and convenient installation
- Heat dissipation through low thermal resistance path
- Unique waterproof and breathable design
- Special outdoor lightning and ESD protection design
- Wall washing height: 3-5m

Basic Parameters

Basic parameters

Color: W, RGB, RGBW
 Light source: 3030, 3535, 5050
 Life: 50,000h
 Material: High strength aluminum alloy/tempered glass
 Weight: 2.84Kg

Working conditions

Operating temperature: -40°C-50°C
 Storage temperature: -40°C-65°C
 Protection rating: IP66
 Application environment: Outdoor

Electrical parameters

Operating voltage: DC 24V
 Maximum power: 54W

Optical parameters

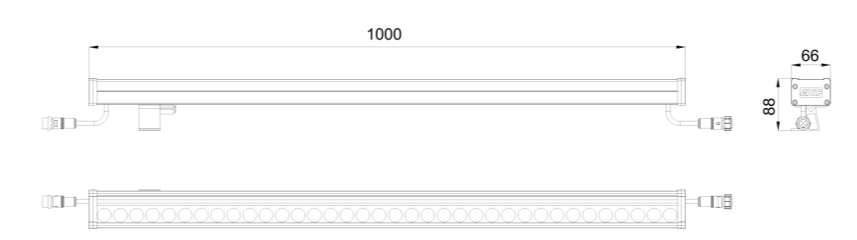
Luminous flux: ≥2700LM(W)
 Beam angle: 12°, 12*22°, 16*50°, and other angles optional

Controller

Master controller: EXC-4000series, EXC-5000series, EXC-6000series, EXC-8000series, EXC-10000series.....
 Slave controller: EXC-2901, EXC-2905.....

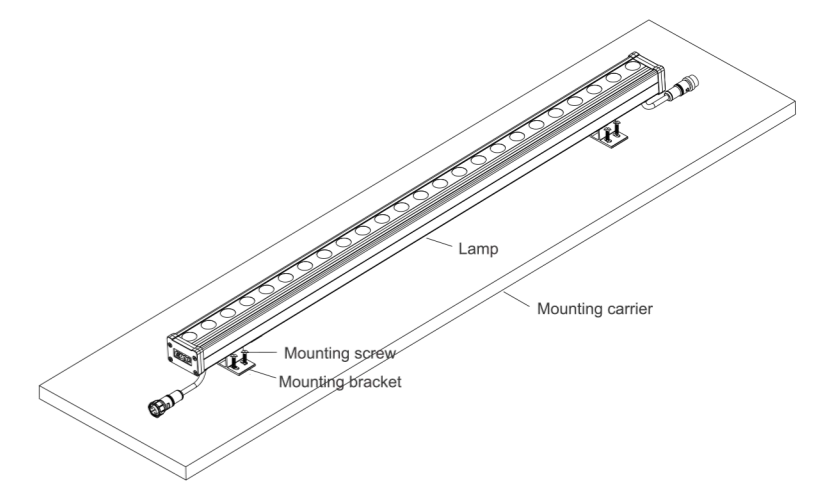
Product Size

Unit : mm

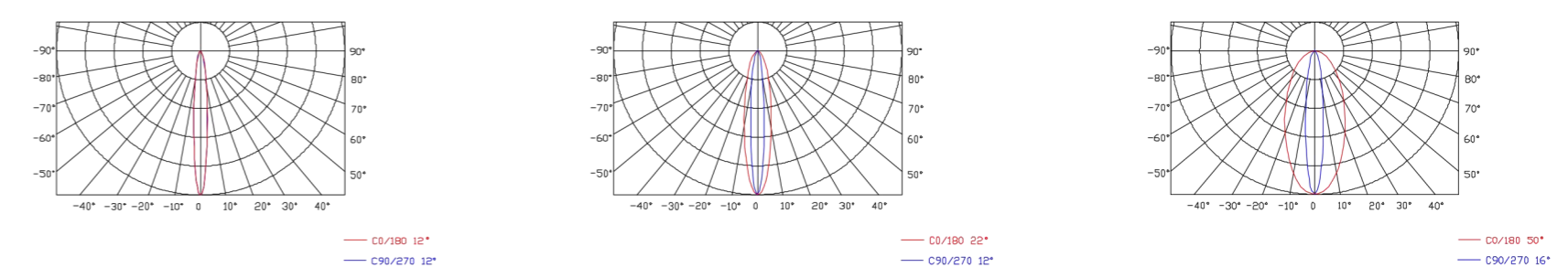


Schematic Diagram of Installation Method

Use M6 expansion screws to fix the mounting seat to the required position as shown in the figure. The specific spacing shall be based on the length of lights.



Light Distribution Curve



Available Models

Product model	Working voltage	Power	Light source	Angle	Control protocol	Gray scale	Material	Energy efficiency value	LED brand
W66ABL	DC24V	54W	12xR+12xG+12xB	12°, 12*22°, 16*50°	DMX512	256/65536	Aluminium + Glass	≥35 lm/w	Note 1
W66ABL	DC24V	54W	9xR+9xG+9xB+9xW	12°, 12*22°, 16*50°	DMX512	256/65536	Aluminium + Glass	≥40 lm/w	Note 1
W66ABL	DC24V	54W	36xRGB	12°, 12*22°, 16*50°	DMX512	256/65536	Aluminium + Glass	≥35 lm/w	Note 1
W66ABL	DC24V	54W	36xRGBW	12°, 12*22°, 16*50°	DMX512	256/65536	Aluminium + Glass	≥40 lm/w	Note 1
W66ABL	DC24V	36W	36xW	12°, 12*22°, 16*50°	DMX512	256/65536	Aluminium + Glass	≥75 lm/w	Note 1

Note 1: LED brand: CREE/OSRAM/LUMILEDS/ Epistar/Mainland China series
 Note 2: The above optical parameter > 2700K; CREE chip as reference.

EXC - B80ABL

EXC-B80ABL series consists of full-color large-power spotlights with high-strength aluminum-alloy housing specially designed by EXC for outdoor landscape lighting. Each light is a separate lighting pixel, and each pixel can realize 65536 grades gray scale changing. It could be used for illumination in specific areas or landscape wash lighting, applicable on building facades, bridges, stages, etc.

Features

- New-generation DMX512 parallel bus technology
- Heat dissipation design ensured by aluminum housing and low thermal resistance path
- High reliability, modular design
- Special outdoor lightning and ESD protection design
- Load safety design
- Projection height: 3m



Basic Parameters

Basic parameters

Color: W, RGB
 Light source: 3535
 Life: 50,000h
 Material: High-strength die-cast aluminum/tempered glass
 Weight: 0.54kg

Working conditions

Operating temperature: -40°C-50°C
 Storage temperature: -40°C-65°C
 Protection rating: IP66
 Application environment: Outdoor

Electrical parameters

Operating voltage: DC 24V
 Maximum power: 7.5W

Optical parameters

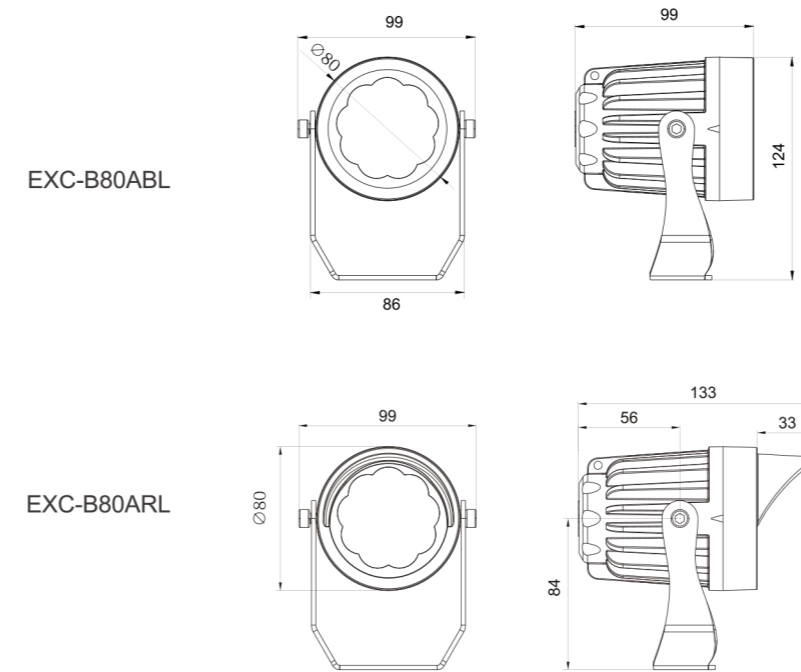
Luminous flux: ≥520LM(W)
 Beam angle: 6°, 10°, 80°, and other angles optional

Controller

Master controller: EXC-4000series, EXC-5000series, EXC-6000series, EXC-8000series, EXC-10000series.....
 Slave controller: EXC-2901, EXC-2905.....

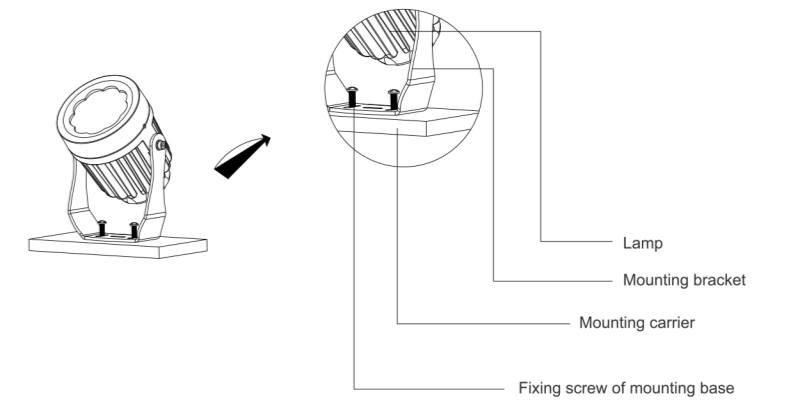
Product Size

Unit: mm

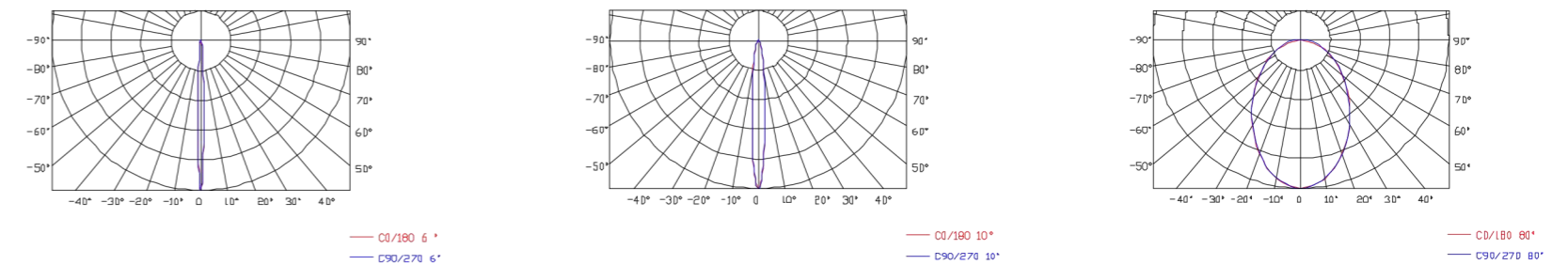


Schematic Diagram of Installation Method

Place the lamp on the carrier to be preinstalled on and confirm the lamp spacing requirements. Lock the bracket fixing screws on the carrier as shown in the figure and lock the mounting seat fixing screws. Secure screws and adjust the angle of the lamp.



Light Distribution Curve



Available Models

Product model	Working voltage	Power	Light source	Angle	Control protocol	Gray scale	Material	Energy efficiency value	LED brand
B80ABL	DC24V	7.5W	3xW	6°, 10°, 80°	ON/OFF	/	Aluminium	≥70 lm/w	Note 1
B80ABL	DC24V	7.5W	1xR+1xG+1xB	6°, 10°, 80°	DMX512	256/65536	Aluminium	≥70 lm/w	Note 1

Note 1: LED brand: CREE/OSRAM/LUMILEDS/ Epistar/Mainland China series
 Note 2: The above optical parameter > 2700K; CREE chip as reference.

Series B -Flood Light



Special for small angle

EXC - B150BBL

EXC-B150BBL series consists of square full-color flood lights with high-strength aluminum-alloy housing specially designed by EXC for outdoor landscape lighting. Each light is a separate lighting pixel, and each pixel can realize 65536 grades gray scale changing. It could be used for illumination in specific areas or landscape wash lighting, applicable on building facades, bridges, stages, etc.

Features

- New-generation DMX512 parallel bus technology
- Heat dissipation design ensured by aluminum housing and low thermal resistance path
- High reliability, modular design
- Special outdoor lightning and ESD protection design
- Load safety design
- Projection height: 7m

Basic Parameters

Basic parameters

Color: W, RGB, RGBW
 Light source: 3535, 5050, others options
 Life: 50,000h
 Material: High-strength die-cast aluminum/tempered glass
 Weight: 1.40kg

Working conditions

Operating temperature: -40°C-50°C
 Storage temperature: -40°C-65°C
 Protection rating: IP66
 Application environment: Outdoor

Electrical parameters

Operating voltage: DC 24V
 Maximum power: 24W

Optical parameters

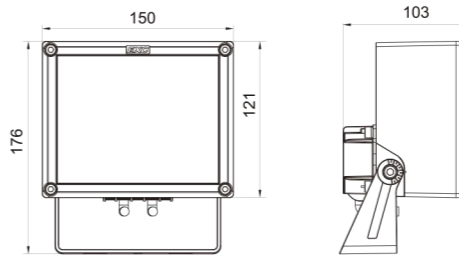
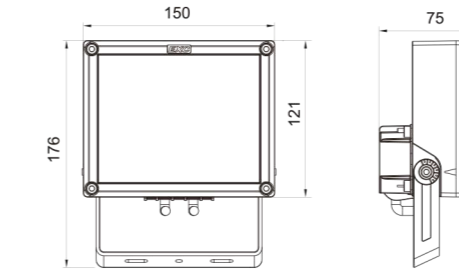
Luminous flux: ≥1600LM(W)
 Beam angle: 6°, 10°, 30°, 80°, and other angles optional

Controller

Master controller: EXC-4000series, EXC-5000series, EXC-6000series, EXC-8000series, EXC-10000series.....
 Slave controller: EXC-2901, EXC-2905.....

Product Size

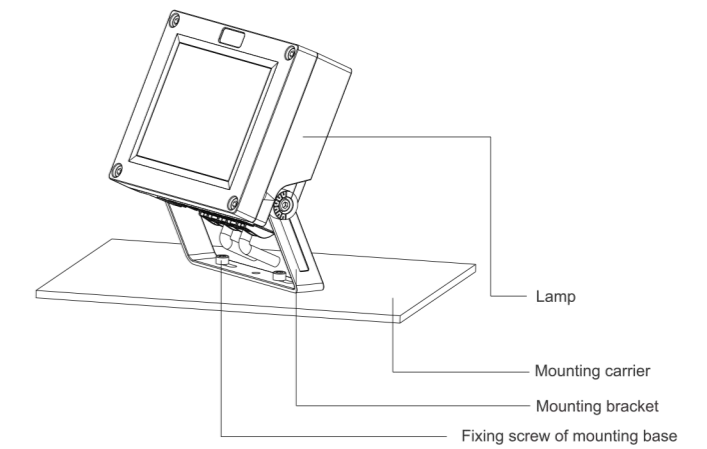
Unit: mm



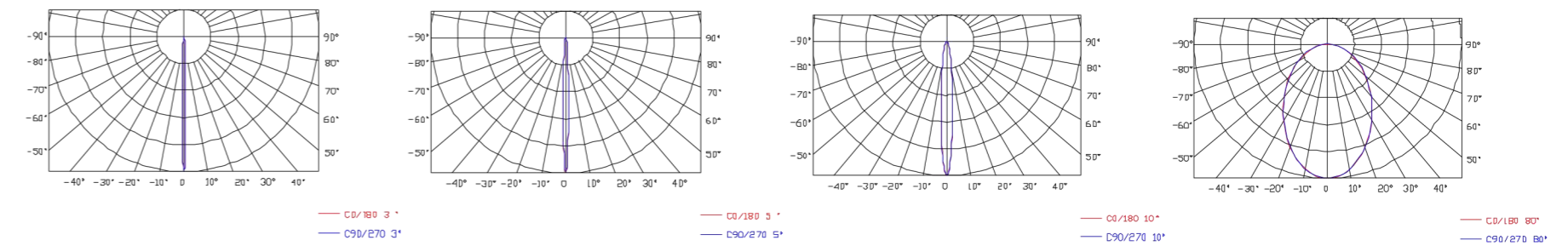
Special for small angle

Schematic Diagram of Installation Method

Select two M5 screws to fix the lamp to the required position as shown in the figure. After the lamp is firmly installed, adjust the angle of the lamp according to actual needs and then lock the connecting screws.



Light Distribution Curve



Available Models

Product model	Working voltage	Power	Light source	Angle	Control protocol	Gray scale	Material	Energy efficiency value	LED brand
B150BBL	DC24V	12W	4xW	3°	ON/OFF	/	Aluminium + Glass	≥70 lm/w	CREE XPE2
B150BBL	DC24V	18W	4xW	5°	ON/OFF	/	Aluminium + Glass	≥70 lm/w	CREE XPG2
B150BBL	DC24V	18W	9xW	10°, 80°	ON/OFF	/	Aluminium + Glass	≥70 lm/w	Note 1
B150BBL	DC24V	24W	12xW	10°, 80°	ON/OFF	/	Aluminium + Glass	≥70 lm/w	Note 1
B150BBL	DC24V	18W	3xR+3xG+3xB	10°, 80°	DMX512	256/65536	Aluminium + Glass	≥25 lm/w	Note 1
B150BBL	DC24V	24W	4xR+4xG+4xB	10°, 80°	DMX512	256/65536	Aluminium + Glass	≥25 lm/w	Note 1
B150BBL	DC24V	24W	3xR+3xG+3xB+3xW	10°, 80°	DMX512	256/65536	Aluminium + Glass	≥35 lm/w	Note 1
B150BBL	DC24V	24W	12xRGBW	10°, 80°	DMX512	256/65536	Aluminium + Glass	≥35 lm/w	CREE 5050

Note 1: LED brand: CREE/OSRAM/LUMILEDS/ Epistar/Mainland China series
 Note 2: The above optical parameter > 2700K; CREE chip as reference.

EXC-B265BBL/BBH

EXC-B265 series consists of square full-color flood lights with high-strength aluminum-alloy housing specially designed by EXC for outdoor landscape lighting. It could be used for illumination in specific areas or landscape wash lighting, applicable on building facades, bridges, stages, etc.

Basic Parameters

Basic parameters

Color: W, RGB, RGBW

Light source: 3535, 5050, others options

Life: 50,000h

Material: High-strength die-cast aluminum/tempered glass

Weight: B265BBL : 4.10kg B265BBH : 4.43Kg

Working conditions

Operating temperature: -40°C-50°C

Storage temperature: -40°C-65°C

Protection rating: IP66

Application environment: Outdoor

Electrical parameters

Operating voltage: AC 220V/DC 24V

Maximum power: Single head: 72W(W) , 96W(RGBW)

Optical parameters

Luminous flux: ≥4680LM(W)

Beam angle: 3°, 5°, 10°, 30°, 80°, and other angles optional

Controller

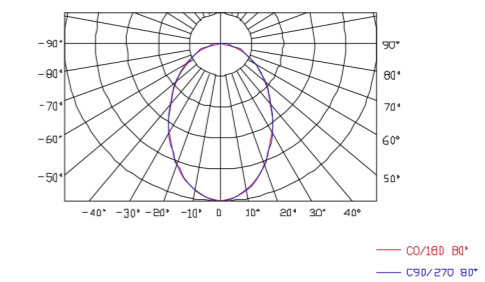
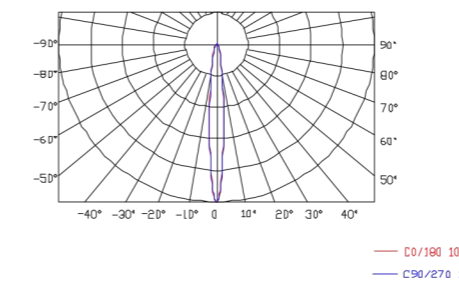
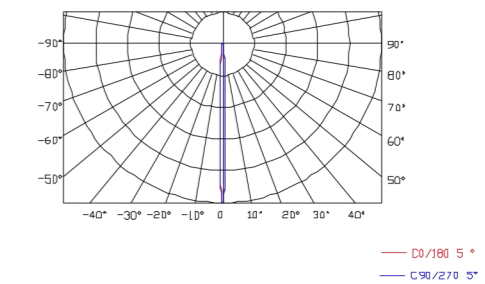
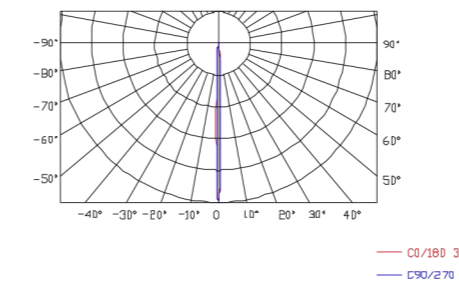
Master controller:EXC-4000series,EXC-5000series,EXC-6000series,EXC-8000series,
EXC-10000series.....

Slave controller:EXC-2901、EXC-2905.....

Features

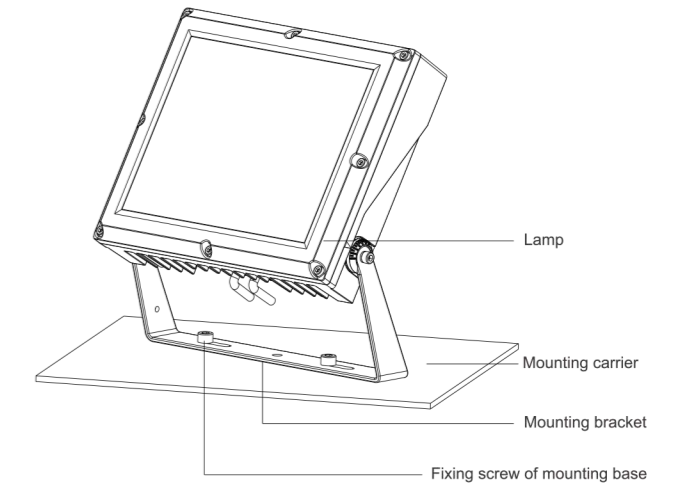
- New-generation DMX512 parallel bus technology
- Patented comb convection heat dissipation design
- Heat dissipation design ensured by aluminum housing and low thermal resistance path
- High reliability, modular design
- Special outdoor lightning and ESD protection design
- Load safety design
- Projection height: 20m

Light Distribution Curve



Schematic Diagram of Installation Method

Select M8 screws to fix the lamp mounting bracket to the required position as shown in the figure, lock the mounting seat fixing screw, and lock the connecting screw after adjusting the angle of the lamp. Secure the installation.



N Series-linear Lights



EXC-U20NAB0

EXC-U20NBB0

EXC-U20BEB0

EXC-U20TAL0

EXC-U20TAL1

EXC - U20

EXC-U20 full-color series consists of full-color SMD linear lights equipped with a narrow aluminum-profile housing and specially designed by EXC for outdoor landscape lighting. Each strip includes 8 pixels, and each pixel can realize 65536 grades gray scale changing; featuring simple and reliable installation, they can be used for extra-large area display of building facades, contour shaping, interior and exterior surface decoration lighting, and small-range wall washing.

Basic Parameters

Basic parameters
 Color: W, RGB, RGBW
 Light source: 2835, 3535, others options
 Life: 50,000h
 Material: High strength aluminum alloy
 Weight: U20NAB0: 0.55Kg U20NBB0: 0.46Kg U20BEB0: 0.43Kg
 U20TAL0: 0.55Kg U20TAL1: 0.45Kg

Working conditions
 Operating temperature: -40°C-50°C
 Storage temperature: -40°C-65°C
 Protection rating: IP66
 Application environment: Outdoor

Electrical parameters
 Operating voltage: DC 24V
 Maximum power: 18W

Optical parameters
 Luminous flux: U20NAB0, U20TAL1≥600 LM; U20NBB0, U20BEB0, U20TAL0≥420 LM
 Beam angle: U20NAB0, U20TAL1≥105°; U20NBB0, U20BEB0, U20TAL0≥95°

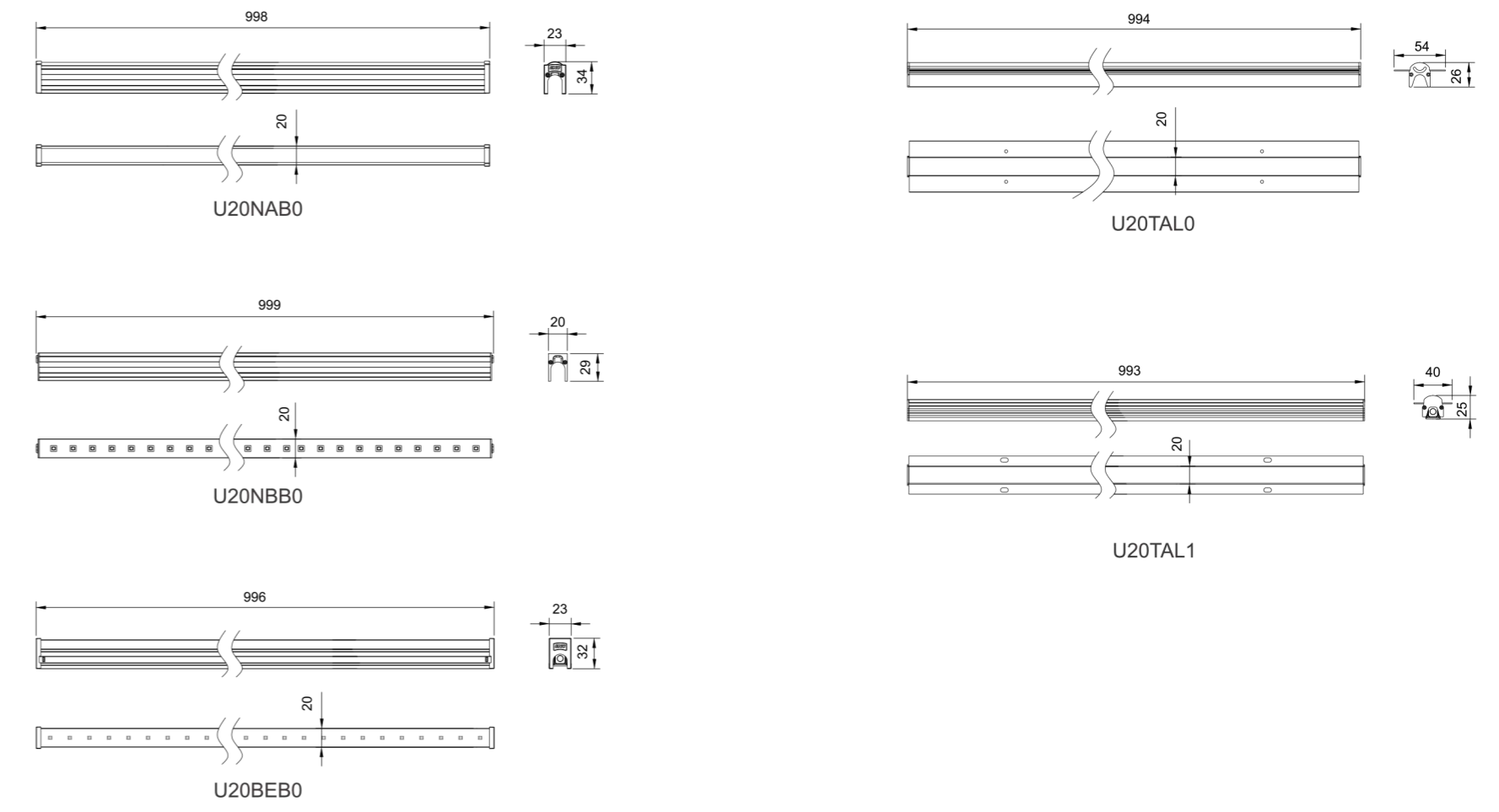
Controller
 Master controller: EXC-4000series, EXC-5000series, EXC-6000series, EXC-8000series, EXC-10000series.....
 Slave controller: EXC-2901, EXC-2905.....

Features

- Only 20 mm wide
- New-generation DMX512 parallel bus technology
- Fully sealed and waterproof design with adhesive imported from Germany
- Heat dissipation design ensured by aluminum housing and low thermal resistance path
- Special outdoor lightning and ESD protection design

Product Size

Unit : mm



Schematic Diagram of Installation Method

For the Schematic Diagram of Installation Method, please refer to the installation method of the universal mounting base for linear lights (P129-P130).

D Series-Uniform linear light



EXC-D30BAB0

EXC-D30BAB1

EXC-D30BAB2

EXC-D50BAB0

EXC-D30/D50

The D series consists of full-color SMD linear lights equipped with a narrow aluminum-profile housing and specially designed by EXC for outdoor landscape lighting, and each pixel can realize 65536 grades gray scale changing; featuring simple and reliable installation, they can be used for extra-large area display of building facades, contour shaping, interior and exterior surface decoration lighting and small-range wall wash lighting.

Basic Parameters

Basic parameters

Color: W, RGB, RGBW
 Light source: 2835, 3535, others options
 Life: 50,000h
 Material: High strength aluminum alloy
 Weight: D30BAB0: 0.84Kg D30BAB1: 1.12Kg
 D30BAB2: 1.00Kg D50BAB0: 0.77Kg

Working conditions

Operating temperature: -40°C-50°C
 Storage temperature: -40°C-65°C
 Protection rating: IP66
 Application environment: Outdoor

Electrical parameters

Operating voltage: DC 24V
 Maximum power: 18W

Optical parameters

Luminous flux: ≥135 LM (RGB)
 Beam angle: ≥120°

Controller

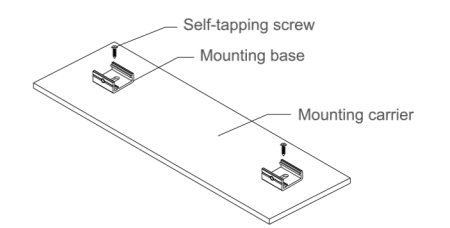
Master controller: EXC-4000series, EXC-5000series, EXC-6000series, EXC-8000series, EXC-10000series.....
 Slave controller: EXC-2901, EXC-2905.....

Features

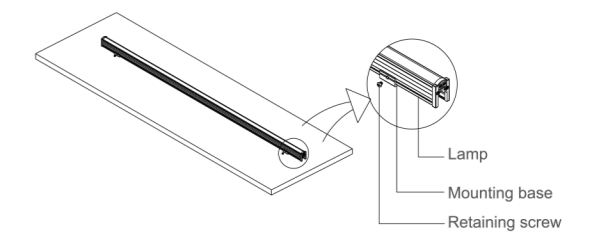
- New-generation DMX512 parallel bus technology
- Fully sealed and waterproof design with adhesive imported from Germany
- Heat dissipation through low thermal resistance path
- Special outdoor lightning and ESD protection design

Schematic Diagram of Installation Method

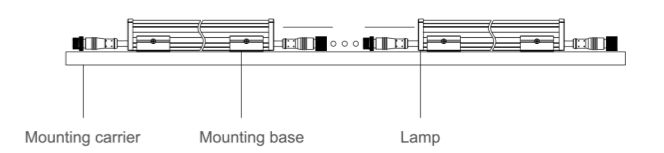
1. Use ST4 self-tapping screws to fix the mounting seat to the position of the mounting carrier as shown in the figure, with the specific spacing to be required by the lamp length.



2. Clamp the lamp on the mounting seat, and then use M4 screws to lock the lamp through the mounting seat. Secure the installation.



3. Finally, connect the male and female connectors of the waterproof joint line through threads as shown in the figure, and secure the installation.



Light Distribution Curve

