



BLUETOOTH® WIRELESS
TECHNOLOGY DEVICES FOR
INSTALLATION IN LUMINAIRES



BLUETOOTH® WIRELESS TECHNOLOGY DEVICES FOR INSTALLATION IN LUMINAIRES

Blu2Light - The intelligent wireless lighting control solution

Blu2Light is the first completely open Bluetooth® wireless technology system with mesh functionality for the professional lighting market, which, in addition to a variety of functions for lighting control, offers the luminaire manufacturer added IoT benefits with maximum system security.

Connect ME

Innovative DALI controller with Bluetooth® wireless technology.

MultiSensor XS

DALI controller with Bluetooth® wireless technology as well as daylight and motion sensor with up to 4m mounting height.

MultiSensor XL

DALI controller with Bluetooth® wireless technology as well as daylight and motion sensor, high-bay edition with up to 12m mounting height.

MultiSensor XXL






DALI controller with Bluetooth® wireless technology as well as daylight and motion sensor, extended high-bay edition with up to 17m mounting height.

Advantages of Blu2Light Technology

- **CONFIGURATION VIA LiNA CONNECT APP**
- **OPERATION VIA LiNA TOUCH APP**
- **CONNECTION OF UP TO 64 DALI DRIVERS**
- **INTEGRATED BEACON FUNCTION**



Blu2Light devices for installation in luminaires at a glance

Configuration via LiNA Connect (iOS)		Apps 		Operation via LiNA Touch (iOS/Android)	
Blu2Light Connect ME Ref. No. 186768	Blu2Light MultiSensor XS Ref. No. 186706	Blu2Light MultiSensor XL Ref. No. 186800		Blu2Light MultiSensor XXL Ref. No. 187104	
					

Technical Data

Type Ref. No.	Connect ME 186768	MultiSensor XS 186706	MultiSensor XL 186800	MultiSensor XXL 187104
Communication	Blu2Light mesh network			
Control output	DALI in acc. with IEC 62386			
Power supply	via DALI bus			
Power consumption	max. 0.24 W (max. 15 mA at 16 V)			
Frequency range	2402–2480 MHz			
Output	< 10 mW EIRP			
Ambient temperature t_a	0–50 °C			
Degree of protection	IP20			
Protection class	II			
Weight	30 g	35 g	40 g	
Light sensor	—	0–1000 lx, V(x) compensated		
Motion sensor	—	PIR detection range 0.1 to max. 5.7 m (temperature dependent)	PIR detection range 0.1 to max. 12 m (temperature dependent)	PIR detection range 0.1 to max. 17 m (temperature dependent)
Detection range (at $t_a = 20\text{ °C}$)	—	At a typical installation height of 4 m, results in a detection range with diameter of approx. 9 m	At a typical installation height of 12 m, results in a detection range with diameter of approx. 15 m	At a typical installation height of 17 m, results in a detection range with diameter of approx. 20 m
Connection terminals	Push-in terminals: 0.5–1.5 mm ²		Screw terminals: 0.75–2.5 mm ²	
Casing	Polycarbonate, white			
Dimensions	Ø 40 x H 40 mm (with cord grip)	Ø 40 x H 43.8 mm	L 103 x W 36 x H 32 mm	

The values contained in this data sheet can change due to technical innovations. Any such changes will be made without separate notification.

Blu2Light Connect ME

DALI controller with Bluetooth® wireless technology

For in-luminaire installation

Dimensions (ØxH): 40x28.2 mm

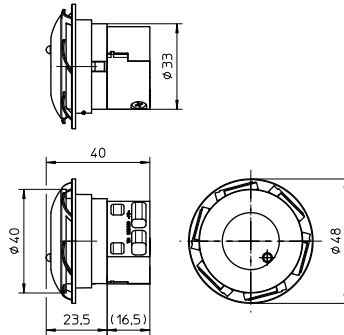
With integrated LED (blue-green): this flashes when in configuration mode.

Fastening: clip-in into luminaire sheet with wall thickness of 0.5–1 mm

CAUTION: Only one insertion of the housing is possible. Removal of the ring makes the housing useless and leads to the defect of the housing.

Weight: 30 g

Ref. No.: 186768



Blu2Light MultiSensor XS

Motion and daylight sensor with DALI connectivity and Bluetooth® wireless technology

Flush mounted or in-luminaire installation

Dimensions (ØxH): 40x43.8 mm

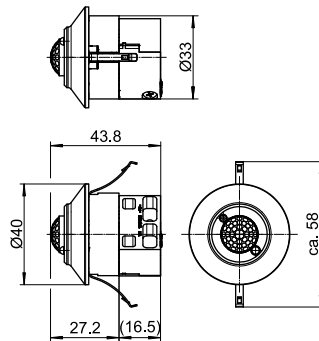
With cord grip

With integrated LED (blue-green): this flashes when in configuration mode.

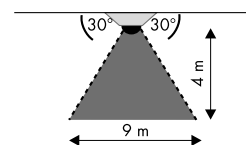
Fastening: Gently compress the spring-mounted levers on the sensor cover using two fingers and let them snap into place in the pre-drilled hole (35 mm) at the selected position; wall thickness of ceiling max. 12.5 mm

Weight: 30 g

Ref. No.: 186706



Capture range of the sensor at 20 °C



Blu2Light MultiSensor XL

Motion and daylight sensor with DALI connectivity and Bluetooth® wireless technology for high-bay applications up to 12 m mounting height

Flush-mounted or installation in luminaires

Dimensions (LxWxH): 103x36x32 mm

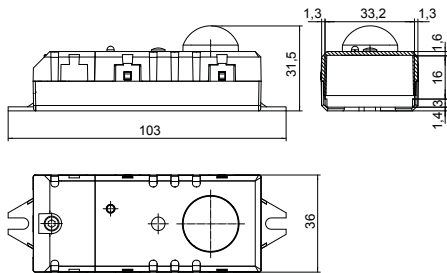
With cord grip

Fastening: with 2 screws M3

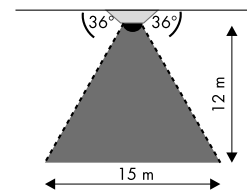
Screw terminals: 0.75–2.5 mm²

Weight: 40 g

Ref. No.: 186800



Capture range of the sensor at 20 °C



Blu2Light MultiSensor XXL

Motion and daylight sensor with DALI connectivity and Bluetooth® wireless technology for high-bay application applications up to 17 m mounting height

Flush-mounted or installation in luminaires

Dimensions (LxWxH): 103x36x32 mm

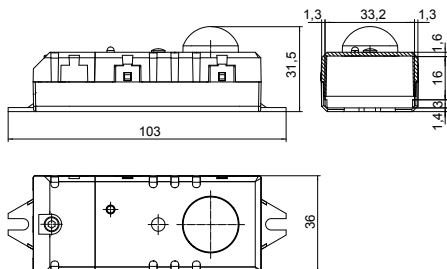
With cord grip

Fastening: with 2 screws M3

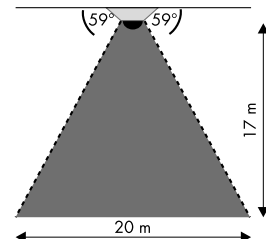
Screw terminals: 0.75–2.5 mm²

Weight: 40 g

Ref. No.: 187104



Capture range of the sensor at 20 °C



General safety instructions

- Only qualified persons are allowed to install and start up Blu2Light products.
- Prior to installing and commissioning the system, read these instructions carefully. Only this will guarantee correct and safe handling. Please keep these instructions as you may need them later.
- The devices must always be disconnected before any work is carried out on them.
- The applicable safety and accident prevention regulations must be observed.
- Opening by unqualified personnel of the products is prohibited: Risk of death from electric shock! The devices must only be repaired by the manufacturer.
- Supply of external voltage to the DALI control line, e.g. 230 V mains voltage, may destroy the products.

Installation **Connect ME**

First, thread the leads through the counter ring and then through the pre-drilled hole (Ø 35 mm) into the metal casing so as to connect them to the Connect ME terminal. Then insert the Connect ME terminal into the metal casing from the front and press the counter ring with the retainers into the space provided until the ring clicks into place (see Fig. 1).

MultiSensor XS, with or without a cord grip

Prepare the cable, then connect to the sensor and attach a cord grip, if necessary. Gently compress the spring-mounted levers on the sensor cover using two fingers and let them snap into place in the pre-drilled hole (35 mm) at the selected position (see Fig. 2).

MultiSensor XL / MultiSensor XXL

Please use the provided mounting lugs

- When placing the sensors, make sure that its detection range is not blocked by objects, furniture, etc.



PIR sensors detect changes in heat radiation. All range information refers to a room temperature of 20 °C. Objects that are colder or warmer, in conjunction with high or low temperatures, usually lead to altered detection ranges. For example, the range decreases in winter, or increases in the summer. Please check, therefore, whether these sensors are suitable for the intended application.

Power supply

This product does not contain its own power supply and will be powered by the DALI bus.

For suitable VS power supplies and corresponding drivers, please refer to our system survey.

Overvoltage protection of the DALI interface

Connecting higher voltages than DALI voltage will destroy the device.

Operation with 24 V / 110 V / 230 V is generally not permitted!

