

MultiSensors



To supplement LiCS Indoor system

Daylight and motion sensors increase both energy savings and convenience.

VS MultiSensors detect both light levels and motion. In addition, MultiSensors feature a space-saving design and were specifically developed to work with VS Light Controllers. No external power supply is required, as the sensors are supplied via the DALI bus.

Technical notes

Configuration interface:
via the Light Controller

Ambient temperature t_a : 0 to 50 °C

Push-in terminals with lever opener: 0.5 - 1.5 mm²

DALI current consumption: 4 mA

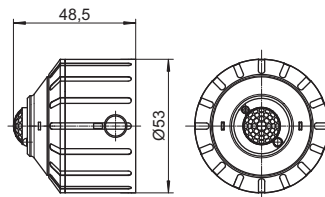
Functions

Motion detection and monitoring of lighting levels. With built-in LED (red): the light flashes during configuration when the sensor is selected.

MultiSensor SM-E

For surface mounting
Dimensions (ØxH): 53x48.5 mm
Weight: 30 g

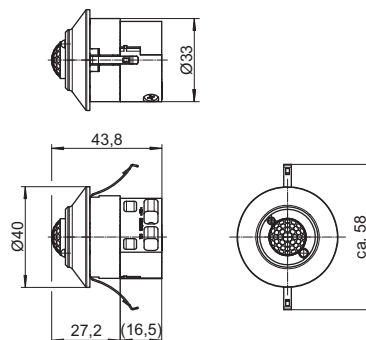
Ref. No.: 186320



MultiSensor FM-E

For ceiling installation
With cord grip
Dimensions (ØxH): 40x43.8 mm
Weight: 30 g

Ref. No.: 186321



MultiSensor IL-E

For luminaire installation
Dimensions (ØxH): 45x31.9 mm
Weight: 30 g

Ref. No.: 186322

