

# OPPLE

LIGHTING.

*See Beyond*



# OPPLE Lighting.

Dear valued customers,

It is with great pride that I present our new catalogue (August 2019 - January 2020), packed with many new products and solutions, in line with our brand promise "OPPLE creates affordable, high-quality innovative LED lighting". May I draw your attention to the fast expanding affordable, easy-to-install and easy-to-use OPPLE Smart Lighting solutions? And, as if that was not enough, this new catalogue contains over 100 new products and solutions.

OPPLE is a double-digit growth, family-owned company with more than 20 years of experience in lighting. Listed on the Shanghai Stock Exchange since 2016 and ranked in the global top-5 leading lighting companies. Every day more than 6,000 enthusiastic employees work tirelessly in regional sales offices around the world and on the OPPLE campus in China. There are around 4,000 OPPLE stores and more than 40,000 points of sale worldwide. Active in more than 30 European countries, with friendly professional staff offering top service and quality products from stock in local warehouses.

OPPLE strives to create an experience beyond your expectations, to ensure your success. Keeping things simple, with fast responses and delivering on our promise: OPPLE people make it possible!

OPPLE - SEE BEYOND!



Jeroen Janssen  
Managing Director  
Opplle Lighting Europe



**1996**  
Company founded in Zhongshan, China  
Factory built in Guangdong, China

**OPPLE**

**2000**  
Rollout first China OPPLE brand stores



**2004**  
Start international sales



**2009**  
Opening global HQ in Shanghai, China



**2012**  
Opening new factory and R&D Center in Wujiang, China



**2013**  
Opening Europe HQ in the Netherlands



**2016**  
IPO at Shanghai Stock Exchange



**2018**  
Opplle introduces Smart Bluetooth system



**Smart** 12  
**Indoor** 32  
**Outdoor** 94  
**Lamps & Accessories** 112  
**Technical data** 134  
**Index** 146  
**Glossary** 154





# Content

<b>Smart</b>		<b>LED Decorative Luminaires Wall &amp; Ceiling</b>		<b>LED Floodlights</b>		<b>LED Modules</b>	
Smart Lighting	12	LED Ceiling Light Apollo	72	LED Flood HO	98	LED Module Clio	128
<b>Indoor</b>		<b>LED Battens</b>		LED Floodlight Performer (90W/125W/160W)	100	<b>Lightmaster</b>	
<b>LED Panels (Recessed and Suspended)</b>		LED T8 Batten	74	LED Floodlight Ecomax G2 (30/50/70)	102	Lightmaster G2	130
LED Panel Recessed Grille	32	LED T5 Batten Ecomax	76	LED Floodlight Ecomax G2 (10W/19W) <b>NEW</b>	104	<b>Technical data</b>	
LED Panel Monza <b>NEW</b>	34	LED T5 Batten S with Switch	78	LED Floodlight Basic	106	Dimmer compatibility list	134
LED Panel Sydney <b>NEW</b>	36	<b>LED Lowbay</b>		<b>LED Porchlight</b>		Cut-out conversion list	137
LED Slim Panel Performer UGR19 G4	38	LED Lowbay	80	LED Porchlight	108	Connection specifications	138
LED Slim Panel EcoMax UGR22	40	<b>LED Highbay</b>		<b>Lamps &amp; Accessories</b>		Trunking - module allocation	139
LED Slim Panel Basic	42	LED Highbay Performer G4	82	<b>LED Filament</b>		Roadlight / Streetlight - pole distances	140
LED Lima	44	<b>LED Waterproofs</b>		LED Filament A60	112	LED Flood HO - configuration examples	142
LED Panel Suspended Zenith	46	LED Waterproof Performer G2	84	LED Filament B35	114	<b>Index</b>	
<b>LED Downlights</b>		LED Waterproof Ecomax	86	LED Filament Mini Globe	116	Index	146
LED Downlight Performer HG	48	LED Waterproof Basic <b>NEW</b>	88	LED Filament ST64	118	<b>Glossary</b>	
LED Downlight Performer MW	50	<b>LED Trunking</b>		<b>LED Reflectors</b>		Glossary	154
LED Downlight HZ <sup>DIM</sup>	52	LED Trunking	90	LED Reflector Ecomax GU10	120		
LED Downlight Slim EcoMax	54	<b>Outdoor</b>		<b>LED Tubes</b>			
LED Downlight Basic	56	<b>LED Roadlight</b>		Universal T8 LED Tube	122		
<b>LED Spots</b>		LED Roadlight	94	LED T8 Tube	124		
LED Spot Performer 3C Compact <b>NEW</b>	58	<b>LED Streetlight</b>		<b>High Power Bulb</b>			
LED Spot Performer 3C	60	LED Streetlight	96	LED High Power Bulb	126		
LED Spot Swing <b>NEW</b>	62						
LED Spot Performer RA	64						
LED Spot Round Adjustable HQ	66						
LED Recessed Spot Ava	68						
LED Spot Ecomax	70						

# OPPLE Online

Check our website ([www.opple.com](http://www.opple.com)) for the latest overview of our complete portfolio and related specifications.



Energy labels | Family sheets | Installation instructions | Dimmer compatibility list |  
Photometric data | Connection specifications | Safety Instructions |  
Guarantee & Warranty policy | Terms & conditions








<b>Smart</b>	12
Indoor	32
Outdoor	94
<b>Lamps &amp; Accessories</b>	114
<b>Technical data</b>	136
<b>Index</b>	148
<b>Glossary</b>	156

# Smart Lighting System

OPPLE's Smart Lighting system is characterised by extremely simple installation: the luminaires can be fitted into the ceiling and connected to the power supply directly out of the box. No extra wires, fittings, gateways, servers or controllers are required. All luminaires can be controlled via the OPPLE Smart Lighting App and extra energy can be saved with the use of the OPPLE Smart Sensors.







**Bright light during a meeting?**  
**Dimmed light when using an interactive whiteboard in the classroom?**  
**Or mood lighting during lunch?**  
 All possible with OPPLE Smart Lighting.

## Dynamic LED lighting with its unique features.

FIT OPPLE SMART LED LIGHTING - IN JUST A FEW EASY STEPS - WITHIN AN EXISTING SYSTEM.

### Quick and easy lighting system

Wouldn't that be fantastic: a smart lighting system that can be installed with the flick of the wrist as an addition to an existing system. Without extra wiring, gateways, servers or drivers. A system in which luminaires can be recessed in the ceiling and can be connected straight from the box. And the control panel that allows you to control the light directly? That works wirelessly too, it's that easy.

### Always the right light scene

OPPLE presents Smart Lighting; a flexible system that allows you to simply set various light scenes for each space. At any moment you can switch to the desired scene, to compliment the activity in the office or school.

### How smart do you want it?

Another smart feature of OPPLE Smart Lighting is that the Smart Sensor measures both movement and the

lux levels in the space. The amount of light the OPPLE Smart Lighting system emits is immediately adjusted to the incidental daylight to maintain the same level of light and save even more energy. It is also possible to have the light dim automatically to a set level; the ideal solution for hallways in a school or hotel. All luminaires can be controlled with the free OPPLE Smart Lighting App.





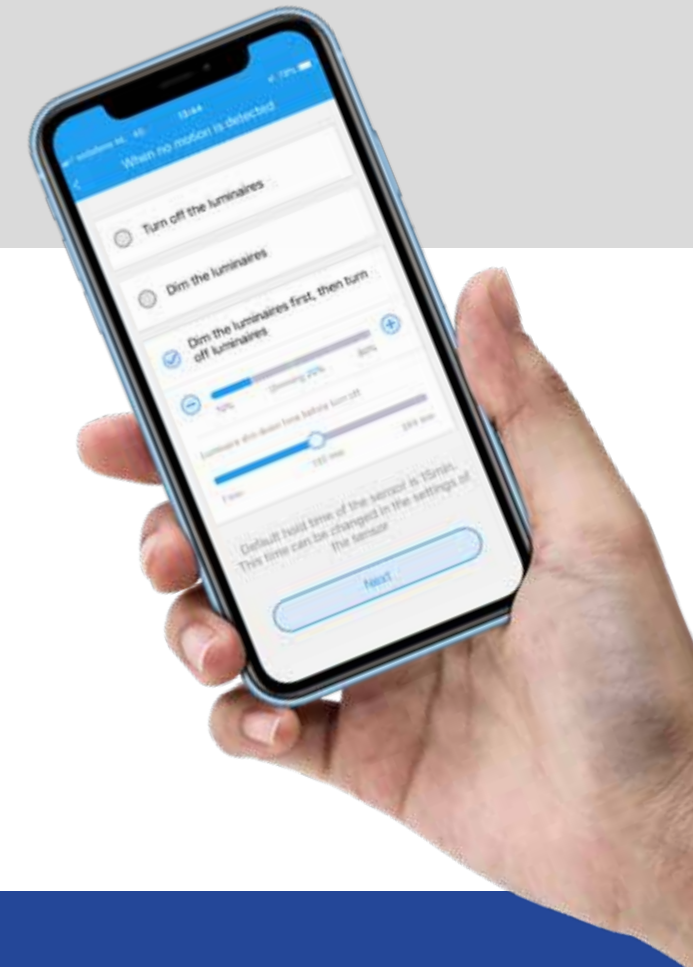
Based in the incidental daylight, the Smart Lighting system adjusts the intensity of the artificial lighting. What happens if the sun is shining and it gets brighter? Then the lighting along the window will gradually dim. As a result, the total level of light remains the same. As the lighting is dimmed, an extra saving can be made on top of the use of LED and presence detection.

**Daylight balance keeps the light level the same in every workspace.**

“A system that facilitates **maximum energy** savings thanks to presence detection sensors and daylight balance.”



**Simple to set in just a few easy steps.**



When you enter a hallway in a school, hotel or hospital, it is more pleasant when you are welcomed by an area that is properly illuminated. Fortunately you can count on the OPPLE Smart Lighting corridor feature.

The corridor feature ensures that the lighting in a space does not go completely out when no one is present, but that it dims automatically to a lower level. This means that there is always a small level of light burning. Ideal for school hallways when lessons are underway, or throughout the night in hotel hallways.

As soon as a person is detected, the lighting returns to the pre-set level, for example from 10% to 100%. If you wish the lighting to go out completely after a set period, this is also simple to set. Because the lighting is not constantly burning brightly, this saves a considerable amount of energy.

**The corridor feature improves the safety in all spaces, improving access and...sustainability!**



### With OPPLE Smart Lighting you can count on:

- completely wireless control of lighting utilizing Bluetooth Low Energy Mesh
- dynamic office lighting without extra wiring
- quick and easy installation, no need for a gateway
- maximum energy savings thanks to the use of Smart Sensors
- various scenes/moods can be set using the free OPPLE Smart Lighting App
- unique features like daylight balance, the corridor feature and smart relay
- maximum security thanks to coded signals and strict user management
- an excellent and affordable Smart Lighting system

### Affordable

OPPLE supplies excellent quality LED lighting at very competitive prices. It has never been so simple and affordable to install and use Smart Lighting. You can count on a return on investment inside a matter of months. Our service desk is always ready to help you with a customised lighting plan and immediately calculates the energy saving this will deliver.

### Want to know more? Our account managers are waiting to hear from you.

Would you like to know more about OPPLE Smart Lighting or would you like to make an appointment for a demonstration?

Please contact one of our account managers through our service line 088 0567888 or send an e-mail to [service@opple.com](mailto:service@opple.com).

**“A smart lighting system that **does not require extra hardware, is simple to install, and easy to use.**”**

## Control every other luminaire with the Smart Relays.

The chandelier in the foyer, the table lamps on the desks and the mood lighting in the coffee corner; they are all easy to forget to switch off at the end of a workday, and during the day they are sometimes burning unnecessarily in a meeting room. With the Smart Relay it is possible to integrate these luminaires in the OPPLE smart system too. Thanks to the remote control switch, it is no longer necessary to purchase separate switches to control decorative lighting.

All the lighting connected to the Smart Relay responds in line with the OPPLE smart luminaires. So that for example the mood lighting above the bar in the coffee corner also goes off automatically when no one is detected any longer. Even the Christmas tree lights will no longer be forgotten! The Smart Relay can also be controlled through the App.





LED Smart Lighting

Specifications

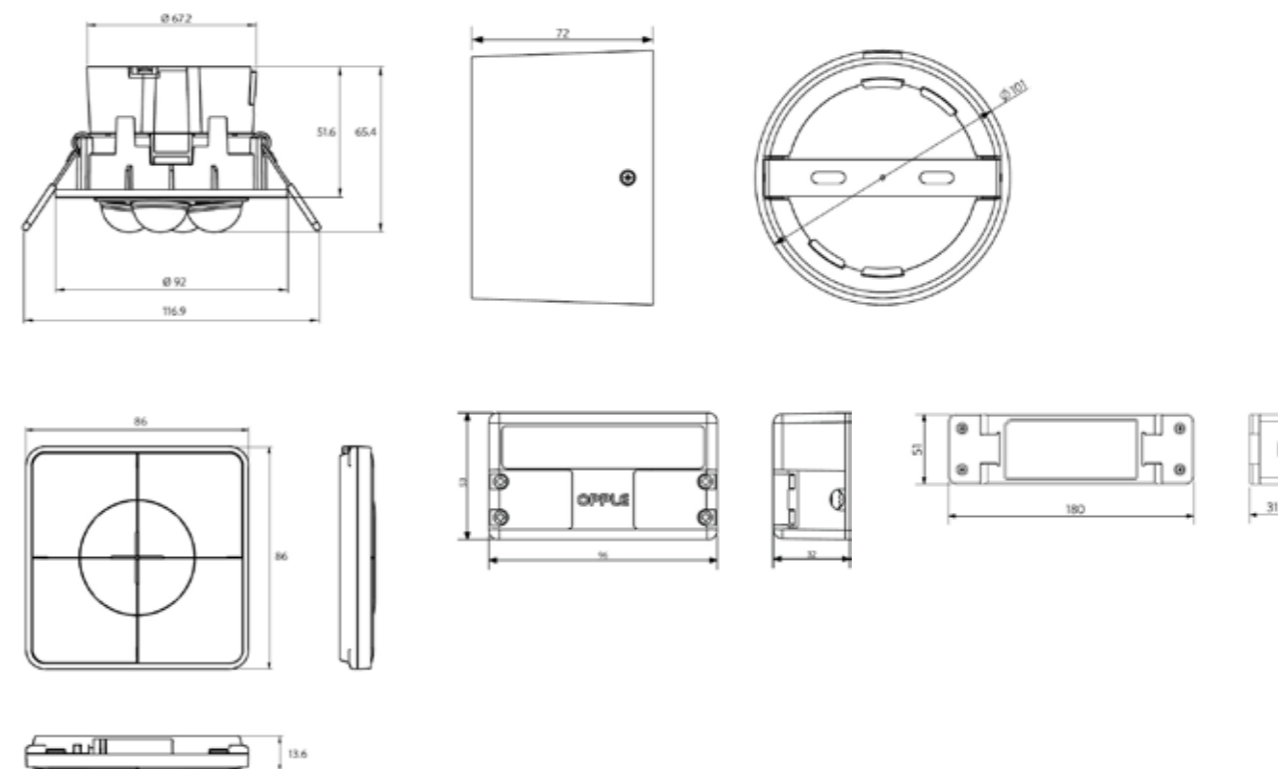
Item Code	Item Description	Equivalent to (W)	Power (W)	Lumen	Efficacy (lm/W)	UGR	CCT (K)
542003015600	LEDPanelRc-Mo Sq595-35W-BLE-3000-WH-U19	CFL 1x55W	35	3800	109	19	3000
542003015700	LEDPanelRc-Mo Sq595-35W-BLE-4000-WH-U19	CFL 1x55W	35	4000	114	19	4000
542008002100	LEDPanelRc-Sy Sq595-35W-BLE-3000-WH-U19	TL 4x18W	35	3600	103	19	3000
542008002200	LEDPanelRc-Sy Sq595-35W-BLE-4000-WH-U19	TL 4x18W	35	3800	108	19	4000
542008002300	LEDPanelRc-Sy Re295-35W-BLE-3000-WH-U19	TL 2x36W	35	3600	103	19	3000
542008002400	LEDPanelRc-Sy Re295-35W-BLE-4000-WH-U19	TL 2x36W	35	3800	108	19	4000
542004014000	LEDPanelRc-S4 Sq595-30W-BLE-3000-WH-U19	TL 4x18W	30	3300	110	19	3000
542004014100	LEDPanelRc-S4 Sq595-30W-BLE-4000-WH-U19	TL 4x18W	30	3500	115	19	4000
542004014200	LEDPanelRc-S4 Re295-30W-BLE-3000-WH-U19	TL 2x36W	30	3300	110	19	3000
542004014300	LEDPanelRc-S4 Re295-30W-BLE-4000-WH-U19	TL 2x36W	30	3500	115	19	4000
542005004900	LEDLima L12-15W-3000-U19-BLE	TL 1x28W	15	1725	110	19	3000
542005004800	LEDLima L12-15W-4000-U19-BLE	TL 1x28W	15	1800	115	19	4000
542005004700	LEDLima L15-18W-3000-U19-BLE	TL 1x35W	18	2070	110	19	3000
542005004600	LEDLima L15-18W-4000-U19-BLE	TL 1x35W	18	2160	115	19	4000
542005004500	LEDLima L12-30W-3000-BLE	TL 1x54W	30	3300	110	22	3000
542005004400	LEDLima L12-30W-4000-BLE	TL 1x54W	30	3450	115	22	4000
542005004300	LEDLima L15-36W-3000-BLE	TL 1x80W	36	3960	110	22	3000
542005004200	LEDLima L15-36W-4000-BLE	TL 1x80W	36	4140	115	22	4000
542006001000	LEDPanelSp-Z L1222-75W-BLE-3000-AL	TL 2x58W	75	7875	105	19	3000
542006000900	LEDPanelSp-Z L1222-75W-BLE-4000-AL	TL 2x58W	75	7875	105	19	4000
140063611	LEDDownlightRc-P-HG R150-11.5W-BLE-3000	CFL 1x18W	11.5	1150	100	19	3000
140063612	LEDDownlightRc-P-HG R150-11.5W-BLE-4000	CFL 1x18W	11.5	1200	102	19	4000
140063613	LEDDownlightRc-P-HG R200-15W-BLE-3000	CFL 1x26W	15	1600	105	19	3000
140063614	LEDDownlightRc-P-HG R200-15W-BLE-4000	CFL 1x26W	15	1660	107	19	4000
140063615	LEDDownlightRc-P-HG R200-23W-BLE-3000	CFL 2x26W	23	2350	100	19	3000
140063616	LEDDownlightRc-P-HG R200-23W-BLE-4000	CFL 2x26W	23	2400	102	19	4000
140063617	LEDDownlightRc-P-HG R200-33W-BLE-3000	CFL 2x32W	33	3360	103	22	3000
140063618	LEDDownlightRc-P-HG R200-33W-BLE-4000	CFL 2x32W	33	3500	105	22	4000
140063619	LEDDownlightRc-P-MW R150-11.5W-BLE-3000	CFL 1x18W	11.5	1150	100	19	3000
140063620	LEDDownlightRc-P-MW R150-11.5W-BLE-4000	CFL 1x18W	11.5	1200	102	19	4000
140063621	LEDDownlightRc-P-MW R200-15W-BLE-3000	CFL 1x26W	15	1600	105	19	3000
140063622	LEDDownlightRc-P-MW R200-15W-BLE-4000	CFL 1x26W	15	1660	107	19	4000
140063623	LEDDownlightRc-P-MW R200-23W-BLE-3000	CFL 2x26W	23	2350	100	19	3000
140063624	LEDDownlightRc-P-MW R200-23W-BLE-4000	CFL 2x26W	23	2400	102	19	4000
140063625	LEDDownlightRc-P-MW R200-33W-BLE-3000	CFL 2x32W	33	3360	103	22	3000
140063626	LEDDownlightRc-P-MW R200-33W-BLE-4000	CFL 2x32W	33	3500	105	22	4000
543022010000	LEDWaterproof-P2 L1563-28W-4000-BLE	TL 1x58W	28	3080	110	n/a	4000
543022010600	LEDWaterproof-P2 L1263-45W-4000-BLE	TL 2x36W	45	4950	110	n/a	4000
543022009900	LEDWaterproof-P2 L1563-55W-4000-BLE	TL 2x58W	55	6050	110	n/a	4000

Accessories

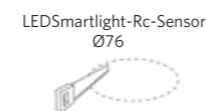


Sensor range:10m

Dimensional Drawing (mm)



Installation Opening Drawing (mm)





LED Panel Monza

- Architectural LED panel with direct/indirect light
- Unique low glare optics
- High efficacy up to 114 lm/W
- Suitable for office applications, UGR<19
- Perfect replacement of traditional CFL 55W panels - offering up to 50% energy saving

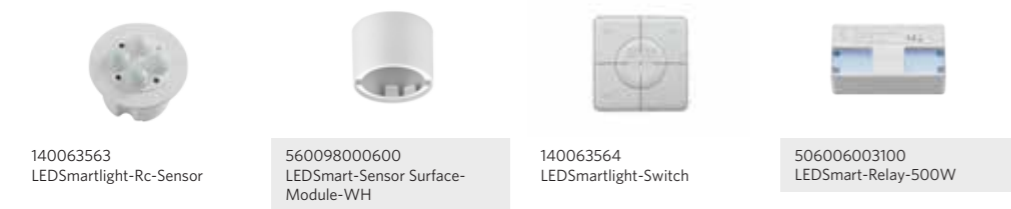


Specifications

Item Code	Item Description	Equivalent to (W)	Power (W)	Lumen	Efficacy (lm/W)	CCT (K)	Weight (kg/pc)
542003015600	LEDPanelRc-Mo Sq595-35W-BLE-3000-WH-U19	CFL 1x55W	35	3800	109	3000	4.18
542003015700	LEDPanelRc-Mo Sq595-35W-BLE-4000-WH-U19	CFL 1x55W	35	4000	114	4000	4.18

For complete product information, see page 34.

Accessories



Sensor range:10m



LED Panel Sydney

- Powerful LED panel, ideal for clutter-free ceilings
- Homogenous light distribution, with low glare optics
- Robust full metal housing
- High efficacy up to 108 lm/W
- Suitable for office applications, UGR<19
- Up to 60% lower energy consumption vs TL

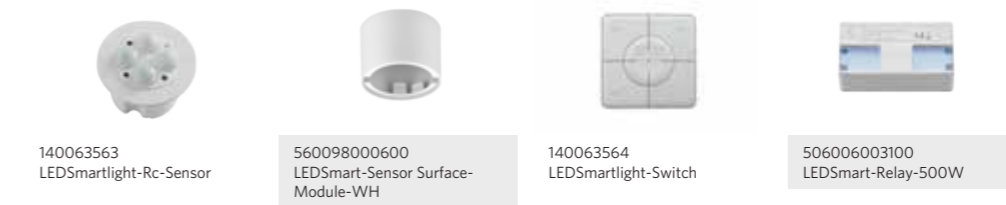


Specifications

Item Code	Item Description	Equivalent to (W)	Power (W)	Lumen	Efficacy (lm/W)	CCT (K)	Weight (kg/pc)
542008002100	LEDPanelRc-Sy Sq595-35W-BLE-3000-WH-U19	TL 4x18W	35	3600	103	3000	3.28
542008002200	LEDPanelRc-Sy Sq595-35W-BLE-4000-WH-U19	TL 4x18W	35	3800	108	4000	3.28
542008002300	LEDPanelRc-Sy Re295-35W-BLE-3000-WH-U19	TL 2x36W	35	3600	103	3000	3.40
542008002400	LEDPanelRc-Sy Re295-35W-BLE-4000-WH-U19	TL 2x36W	35	3800	108	4000	3.40

For complete product information, see page 36.

Accessories



Sensor range:10m





LED Slim Panel Performer UGR19

- High efficacy up to 115lm/W, suitable for offices (UGR19)
- Available as Smart Lighting solution (BLE)
- IP54 version available
- Recessed, suspended and surface mounting possible
- Up to 60% lower energy consumption vs TL
- Surface module available (65 mm thickness)



Specifications

Item Code	Item Description	Equivalent to (W)	Power (W)	Lumen	Efficacy (lm/W)	CCT (K)	Weight (kg/pc)
542004014000	LEDPanelRc-S4 Sq595-30W-BLE-3000-WH-U19	TL 4x18W	30	3300	110	3000	3.81
542004014100	LEDPanelRc-S4 Sq595-30W-BLE-4000-WH-U19	TL 4x18W	30	3500	115	4000	3.81
542004014200	LEDPanelRc-S4 Re295-30W-BLE-3000-WH-U19	TL 2x36W	30	3300	110	3000	3.84
542004014300	LEDPanelRc-S4 Re295-30W-BLE-4000-WH-U19	TL 2x36W	30	3500	115	4000	3.84

For complete product information, see page 38.

Accessories



140063563  
LEDSmartlight-Rc-Sensor



560098000600  
LEDSmart-Sensor Surface-Module-WH

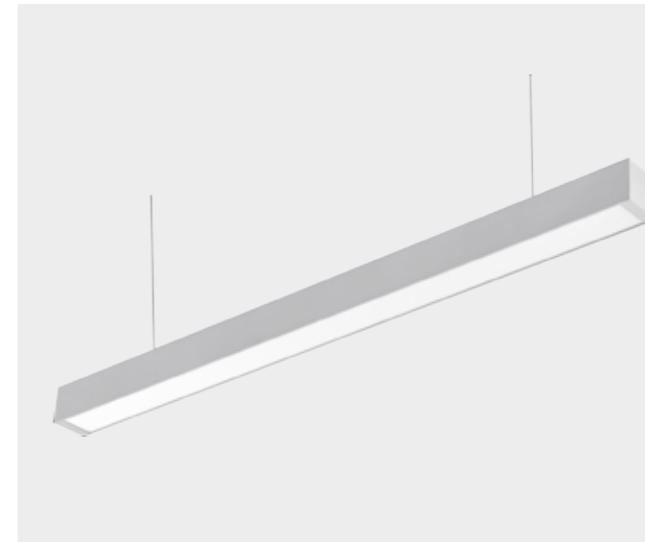


140063564  
LEDSmartlight-Switch



506006003100  
LEDSmart-Relay-500W

Sensor range:10m



LED Lima

- NEW: Available as wireless Smart Lighting solution (BLE)
- Stylish linear luminaire suitable for surface mounting and suspended use
- Suitable for use in office
- Available in 1200 & 1500mm length
- Suspension kit including transparent cable as accessory
- Connection kit accessory to create continuous lines available
- DALI or Smart Lighting (BLE) dimmable



Specifications

Item Code	Item Description	Equivalent to (W)	Power (W)	Lumen	Efficacy (lm/W)	UGR	CCT (K)	Weight (kg/pc)
542005004900	LEDLima L12-15W-3000-U19-BLE	TL 1x28W	15	1725	110	19	3000	2.55
542005004800	LEDLima L12-15W-4000-U19-BLE	TL 1x28W	15	1800	115	19	4000	2.55
542005004700	LEDLima L15-18W-3000-U19-BLE	TL 1x35W	18	2070	110	19	3000	3.08
542005004600	LEDLima L15-18W-4000-U19-BLE	TL 1x35W	18	2160	115	19	4000	3.08
542005004500	LEDLima L12-30W-3000-BLE	TL 1x54W	30	3300	110	22	3000	2.55
542005004400	LEDLima L12-30W-4000-BLE	TL 1x54W	30	3450	115	22	4000	2.55
542005004300	LEDLima L15-36W-3000-BLE	TL 1x80W	36	3960	110	22	3000	3.08
542005004200	LEDLima L15-36W-4000-BLE	TL 1x80W	36	4140	115	22	4000	3.08

For complete product information, see page 44.

Accessories



140063563  
LEDSmartlight-Rc-Sensor



560098000600  
LEDSmart-Sensor Surface-Module-WH



140063564  
LEDSmartlight-Switch



506006003100  
LEDSmart-Relay-500W

Sensor range:10m



LED Panel Suspended Zenith

- Available as Smart Lighting solution (BLE)
- Special design luminaire distributes light both up and down, combining comfort and efficiency
- High lumen output and high efficacy up to 105 lm/W
- Light up your offices and meeting rooms in an architectural way



Specifications

Item Code	Item Description	Equivalent to (W)	Power (W)	Lumen	Efficacy (lm/W)	UGR	CCT (K)	Weight (kg/pc)
542006001000	LEDPanelSp-Z L1222-75W-BLE-3000-AL	TL 2x58W	75	7875	105	19	3000	3.90
542006000900	LEDPanelSp-Z L1222-75W-BLE-4000-AL	TL 2x58W	75	7875	105	19	4000	3.90

For complete product information, see page 46.

Accessories



Sensor range:10m



LED Downlight Performer HG

- Available as wireless Smart Lighting solution (BLE)
- Unique optical lens concept with high gloss (HG) reflector and low glare
- Low luminaire height (max 73mm)
- Direct replacement for compact fluorescent downlights - saving over 60% of energy costs
- IP44 (light output side)
- Provided with protective foil in order to protect the optics against dust and dirt during the installation
- Suitable for retrofitting due to various adapter ring sizes



Specifications

Item Code	Item Description	Equivalent to (W)	Power (W)	Lumen	Efficacy (lm/W)	UGR	CCT (K)	Weight (kg/pc)
140063611	LEDDownlightRc-P-HG R150-11.5W-BLE-3000	CFL 1x18W	11.5	1150	100	19	3000	0.45
140063612	LEDDownlightRc-P-HG R150-11.5W-BLE-4000	CFL 1x18W	11.5	1200	102	19	4000	0.45
140063613	LEDDownlightRc-P-HG R200-15W-BLE-3000	CFL 1x26W	15	1600	105	19	3000	0.76
140063614	LEDDownlightRc-P-HG R200-15W-BLE-4000	CFL 1x26W	15	1660	107	19	4000	0.76
140063615	LEDDownlightRc-P-HG R200-23W-BLE-3000	CFL 2x26W	23	2350	100	19	3000	0.76
140063616	LEDDownlightRc-P-HG R200-23W-BLE-4000	CFL 2x26W	23	2400	102	19	4000	0.76
140063617	LEDDownlightRc-P-HG R200-33W-BLE-3000	CFL 2x32W	33	3360	103	22	3000	0.76
140063618	LEDDownlightRc-P-HG R200-33W-BLE-4000	CFL 2x32W	33	3500	105	22	4000	0.76

For complete product information, see page 48.

Accessories



Sensor range:10m





LED Downlight Performer MW

- Available as wireless Smart Lighting solution (BLE)
- Unique optical lens concept with matte white (MW) reflector and low glare
- Low luminaire height (max 73mm)
- Direct replacement for compact fluorescent downlights - saving over 60% of energy costs
- IP44 (light output side)
- Common cut-out diameters of 150mm and 200mm
- Provided with protective foil in order to protect the optics against dust and dirt during the installation
- Suitable for retrofitting due to available adapter ring sizes

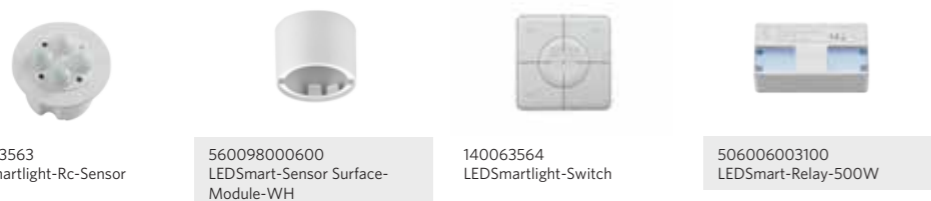


Specifications

Item Code	Item Description	Equivalent to (W)	Power (W)	Lumen	Efficacy (lm/W)	UGR	CCT (K)	Weight (kg/pc)
140063619	LEDDownlightRc-P-MW R150-11.5W-BLE-3000	CFL 1x18W	11.5	1150	100	19	3000	0.45
140063620	LEDDownlightRc-P-MW R150-11.5W-BLE-4000	CFL 1x18W	11.5	1200	102	19	4000	0.45
140063621	LEDDownlightRc-P-MW R200-15W-BLE-3000	CFL 1x26W	15	1600	105	19	3000	0.76
140063622	LEDDownlightRc-P-MW R200-15W-BLE-4000	CFL 1x26W	15	1660	107	19	4000	0.76
140063623	LEDDownlightRc-P-MW R200-23W-BLE-3000	CFL 2x26W	23	2350	100	19	3000	0.76
140063624	LEDDownlightRc-P-MW R200-23W-BLE-4000	CFL 2x26W	23	2400	102	19	4000	0.76
140063625	LEDDownlightRc-P-MW R200-33W-BLE-3000	CFL 2x32W	33	3360	103	22	3000	0.76
140063626	LEDDownlightRc-P-MW R200-33W-BLE-4000	CFL 2x32W	33	3500	105	22	4000	0.76

For complete product information, see page 50.

Accessories



Sensor range:10m



LED Waterproof Performer G2

- NEW: available as Smart Lighting solution (BLE)
- Waterproof luminaire with high efficacy up to 130 lm/W
- Available in 3 lengths and 8 lumen packages
- Up to 60% lower energy consumption compared to traditional TL lighting
- Equipped with 2.5mm<sup>2</sup> through-wiring
- Specific "sealed for life" design
- Quick installation with through wiring
- Supplied with stainless steel ceiling and suspension clips

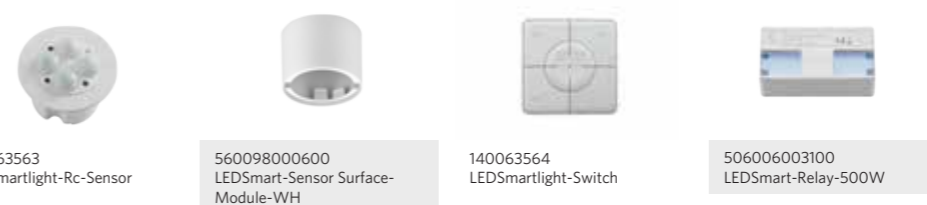


Specifications

Item Code	Item Description	Equivalent to (W)	Power (W)	Lumen	Efficacy (lm/W)	CCT (K)	Weight (kg/pc)
543022010600	LEDWaterproof-P2 L1263-45W-4000-BLE	TL 2x36W	45	4950	110	4000	1.80
543022010000	LEDWaterproof-P2 L1563-28W-4000-BLE	TL 1x58W	28	3080	110	4000	2.21
543022009900	LEDWaterproof-P2 L1563-55W-4000-BLE	TL 2x58W	55	6050	110	4000	2.21

For complete product information, see page 84.

Accessories



Sensor range:10m



**Smart** 12  
**Indoor** 32  
**Outdoor** 94  
**Lamps & Accessories** 112  
**Technical data** 134  
**Index** 146  
**Glossary** 154





LED Panel Recessed Grille

- Direct replacement for existing T5 and T8 fixtures
- Comfortable lighting for study and work environment (UGR < 16)
- Can be recessed & surface mounted
- System efficacy up to 113 lm/W
- Significantly lower energy consumption up to 55%



## Specifications

Item Code	Item Description	Equivalent to (W)	Power (W)	Lumen	Efficacy (lm/W)	UGR	CCT (K)	Weight (kg/pc)
140043967	LEDPanelRc-G Sq598-36W-3000-WH-CT	TL 4x18W	36	3800	106	16	3000	4.12
140043968	LEDPanelRc-G Sq598-36W-4000-WH-CT	TL 4x18W	36	4050	113	16	4000	4.12
140043971	LEDPanelRc-G Re298-36W-3000-WH-CT	TL 2x36W	36	3800	106	16	3000	5.33
140043972	LEDPanelRc-G Re298-36W-4000-WH-CT	TL 2x36W	36	4050	113	16	4000	5.33
140043973	LEDPanelRc-G Re166-21W-3000-WH-CT	TL 1x36W	21	2000	95	16	3000	3.31
140043974	LEDPanelRc-G Re166-21W-4000-WH-CT	TL 1x36W	21	2090	100	16	4000	3.31
140043969	LEDPanelRc-G Sq298-11W-3000-WH-CT	CFL 2x18W	11	1050	95	16	3000	1.40
140043970	LEDPanelRc-G Sq298-11W-4000-WH-CT	CFL 2x18W	11	1090	99	16	4000	1.40
140046181	LEDPanelRc-G Sq598-36W-DALI-3000-WH-CT	TL 4x18W	36	3800	106	16	3000	4.90
140046182	LEDPanelRc-G Sq598-36W-DALI-4000-WH-CT	TL 4x18W	36	4050	113	16	4000	4.90
140046185	LEDPanelRc-G Re298-36W-DALI-3000-WH-CT	TL 2x36W	36	3800	106	16	3000	5.00
140046186	LEDPanelRc-G Re298-36W-DALI-4000-WH-CT	TL 2x36W	36	4050	113	16	4000	5.00
140046187	LEDPanelRc-G Re166-21W-DALI-3000-WH-CT	TL 1x36W	21	2000	95	16	3000	3.31
140046188	LEDPanelRc-G Re166-21W-DALI-4000-WH-CT	TL 1x36W	21	2090	100	16	4000	3.31
140046183	LEDPanelRc-G Sq298-13W-DALI-3000-WH-CT	CFL 2x18W	13	930	72	16	3000	1.40
140046184	LEDPanelRc-G Sq298-13W-DALI-4000-WH-CT	CFL 2x18W	13	990	76	16	4000	1.40

Available on request with 3- or 5- or 3+2 pole Wieland GST18i of Wago WINSTA connector. Emergency lighting available on request.

## Accessories



140044054  
LEDPanelRc-G Sq598-Surface  
Module-CT



140044055  
LEDPanelRc-G Re298-Surface  
Module-CT



140044056  
LEDPanelRc-G Sq298-Surface  
Module-CT



140044057  
LEDPanelRc-G Re166-Surface  
Module-CT

Technical Specifications	
Lifespan (L70B50)	70,000 h
Lifespan (L80B50)	50,000 h
On-/Off-cycles	100,000
Colour consistency (SDCM)	3
Dimmable	No / Yes (DALI)
Beam angle	90 °
Finishing	White RAL9003
Colour rendering index CRI	≥ 80
Degree of protection (IP)	IP20
Impact strength	IK02
Protection class	I
Risk group	RG0
Control gear included	Yes
Glow wire test	650 °C
Driver failure rate (at 5,000 hrs)	1 %
Power factor	≥ 0.90

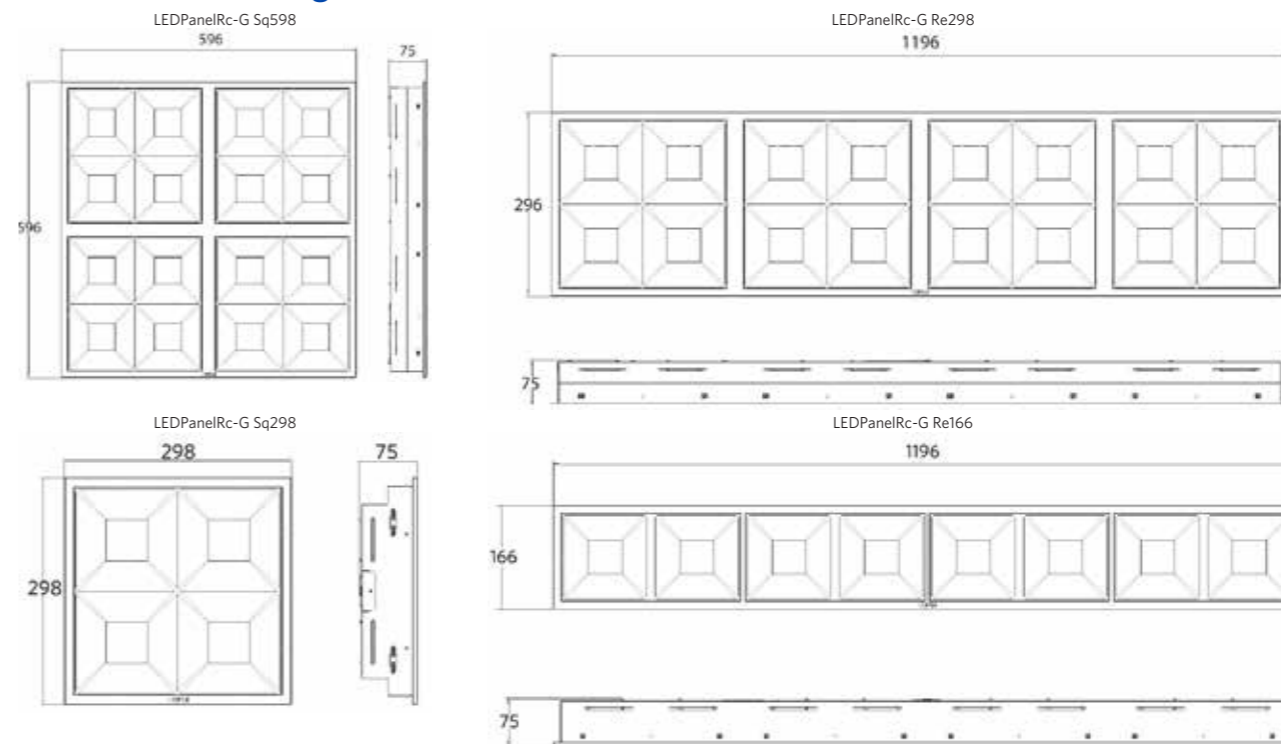
Electrical Supply	
Frequency	50/60 Hz
Nominal voltage	220-240 V AC
DC input voltage	Yes, see Appendix 3

Mechanical Properties	
Material housing	Coated Steel
Optical material	Polycarbonate

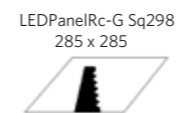
Ambient Conditions	
Operating temperature	-10 - 40 °C
Application temperature	25 °C
Storage environment	-25 - 50 °C

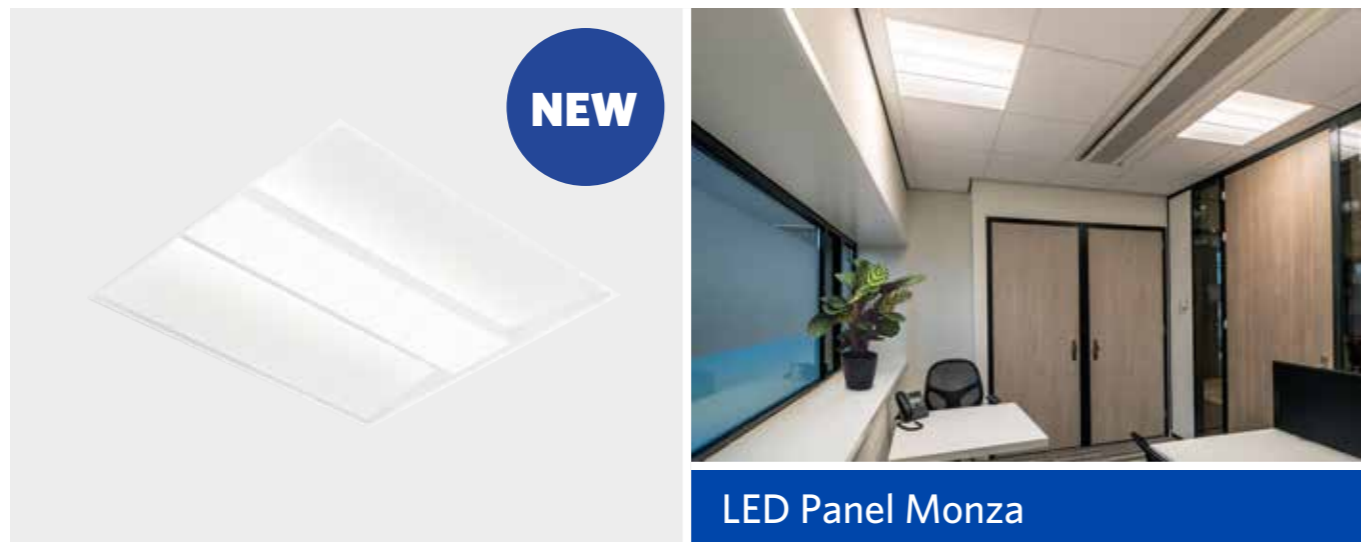


## Dimensional Drawing (mm)



## Installation Opening Drawing (mm)





- Architectural LED panel with direct/indirect light
- Unique low glare optics
- High efficacy up to 114 lm/W
- Suitable for office applications, UGR<19
- Perfect replacement of traditional CFL 55W panels - offering up to 50% energy saving
- Static, DALI2, 1-10V and Smart Lighting (BLE) versions available



## Specifications

Item Code	Item Description	Equivalent to (W)	Power (W)	Lumen	Efficacy (lm/W)	CCT (K)	Weight (kg/pc)
542003016800	LEDPanelRc-Mo Sq595-35W-3000-WH-U19	CFL 1x55W	35	3800	109	3000	4.18
542003016900	LEDPanelRc-Mo Sq595-35W-4000-WH-U19	CFL 1x55W	35	4000	114	4000	4.18
542003015200	LEDPanelRc-Mo Sq595-35W-DALI-3000-WH-U19	CFL 1x55W	35	3800	109	3000	4.18
542003015300	LEDPanelRc-Mo Sq595-35W-DALI-4000-WH-U19	CFL 1x55W	35	4000	114	4000	4.18
542003015600	LEDPanelRc-Mo Sq595-35W-BLE-3000-WH-U19	CFL 1x55W	35	3800	109	3000	4.18
542003015700	LEDPanelRc-Mo Sq595-35W-BLE-4000-WH-U19	CFL 1x55W	35	4000	114	4000	4.18
542003016000	LEDPanelRc-Mo Sq595-35W-10V-3000-WH-U19	CFL 1x55W	35	3800	109	3000	4.18
542003016100	LEDPanelRc-Mo Sq595-35W-10V-4000-WH-U19	CFL 1x55W	35	4000	114	4000	4.18

Available on request with 3- or 5- or 3+2 poleWieland GST18i of Wago WINSTA connector.

DALI2 driver compatible with 230V push dimming.

## Accessories



542098000800  
LEDPanelRC-SI U19 EM-kit 1h

542098000900  
LEDPanelRC-SI U19 EM-kit 3h

Technical Specifications	
Lifespan (L70B50)	70,000 h
Lifespan (L80B50)	50,000 h
On-/Off-cycles	100,000
Colour consistency (SDCM)	3
Dimmable	No / Yes (DALI/BLE/1-10V)
Beam angle	90 °
Finishing	White
Colour rendering index CRI	≥ 80
UGR	19
Degree of protection (IP)	IP20
Impact strength	IK02
Protection class	II
Risk group	RG0
Control gear included	Yes
Glow wire test	650 °C
Driver failure rate (at 5,000 hrs)	0.5 %
Power factor	≥ 0.90

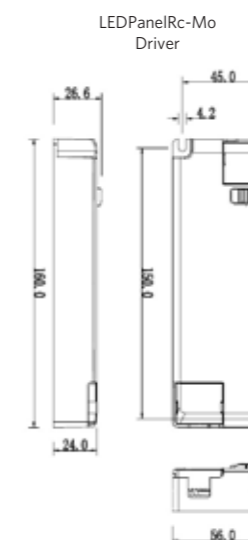
Electrical Supply	
Frequency	50/60 Hz
Nominal voltage	220-240 V AC
DC input voltage	Yes, see Appendix 3

Mechanical Properties	
Material housing	Steel
Optical material	Polycarbonate
Cover material	Polystyrene

Ambient Conditions	
Operating temperature	-10 - 40 °C
Application temperature	25 °C
Storage environment	-25 - 50 °C



## Dimensional Drawing (mm)







LED Panel Sydney

- Powerful LED panel, ideal for clutter-free ceilings
- Homogenous light distribution, with low glare optics
- Robust full metal housing
- High efficacy up to 108 lm/W
- Suitable for office applications, UGR<19
- Up to 60% lower energy consumption vs TL
- Static, DALI2, 1-10V and Smart Lighting (BLE) versions available



Specifications

Item Code	Item Description	Equivalent to (W)	Power (W)	Lumen	Efficacy (lm/W)	CCT (K)	Weight (kg/pc)
542008000900	LEDPanelRc-Sy Sq595-35W-3000-WH-U19	TL 4x18W	35	3600	103	3000	3.28
542008001000	LEDPanelRc-Sy Sq595-35W-4000-WH-U19	TL 4x18W	35	3800	108	4000	3.28
542008001100	LEDPanelRc-Sy Re295-35W-3000-WH-U19	TL 2x36W	35	3600	103	3000	3.40
542008001200	LEDPanelRc-Sy Re295-35W-4000-WH-U19	TL 2x36W	35	3800	108	4000	3.40
542008001300	LEDPanelRc-Sy Sq595-35W-DALI-3000-WH-U19	TL 4x18W	35	3600	103	3000	3.28
542008001400	LEDPanelRc-Sy Sq595-35W-DALI-4000-WH-U19	TL 4x18W	35	3800	108	4000	3.28
542008001500	LEDPanelRc-Sy Re295-35W-DALI-3000-WH-U19	TL 2x36W	35	3600	103	3000	3.40
542008001600	LEDPanelRc-Sy Re295-35W-DALI-4000-WH-U19	TL 2x36W	35	3800	108	4000	3.40
542008002100	LEDPanelRc-Sy Sq595-35W-BLE-3000-WH-U19	TL 4x18W	35	3600	103	3000	3.28
542008002200	LEDPanelRc-Sy Sq595-35W-BLE-4000-WH-U19	TL 4x18W	35	3800	108	4000	3.28
542008002300	LEDPanelRc-Sy Re295-35W-BLE-3000-WH-U19	TL 2x36W	35	3600	103	3000	3.40
542008002400	LEDPanelRc-Sy Re295-35W-BLE-4000-WH-U19	TL 2x36W	35	3800	108	4000	3.40
542008001700	LEDPanelRc-Sy Sq595-35W-10V-3000-WH-U19	TL 4x18W	35	3600	103	3000	3.28
542008001800	LEDPanelRc-Sy Sq595-35W-10V-4000-WH-U19	TL 4x18W	35	3800	108	4000	3.28
542008001900	LEDPanelRc-Sy Re295-35W-10V-3000-WH-U19	TL 2x36W	35	3600	103	3000	3.40
542008002000	LEDPanelRc-Sy Re295-35W-10V-4000-WH-U19	TL 2x36W	35	3800	108	4000	3.40

Available on request with 3- or 5- or 3+2 pole Wieland GST18i of Wago WINSTA connector.

BLE versions are not compatible with surface module accessories.

DALI2 driver compatible with 230V push dimming.

Accessories



140055484 LEDPanelRc-SI Sq600-Surface-Module-WH-CT

140055486 LEDPanelRc-SI Re300-Surface-Module-WH-CT

140053150 LEDPanelRc-SI-E Mounting-Springs

140055365 LEDPanel-SI-E-Suspension-Kit

542098000800 LEDPanelRc-SI U19 EM-kit 1h  
542098000900 LEDPanelRc-SI U19 EM-kit 3h

Technical Specifications	
Lifespan (L70B50)	70,000 h
Lifespan (L80B50)	50,000 h
On-/Off-cycles	100,000
Colour consistency (SDCM)	3
Dimmable	No / Yes (DALI/BLE/1-10V)
Beam angle	80 °
Finishing	White RAL9003
Colour rendering index CRI	≥ 80
UGR	19
Degree of protection (IP)	IP20
Impact strength	IK02
Protection class	II
Risk group	RG0
Control gear included	Yes
Glow wire test	850 °C
Driver failure rate (at 5,000 hrs)	0.5 %
Power factor	≥ 0.90

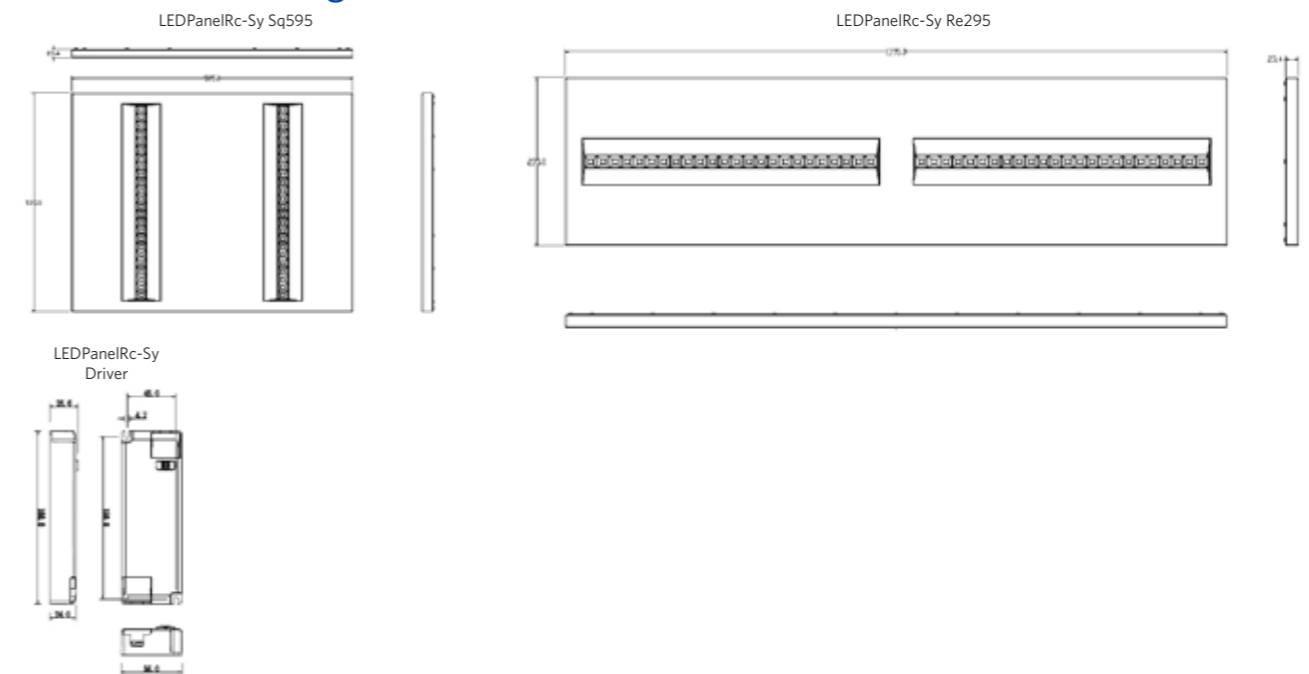
Electrical Supply	
Frequency	50/60 Hz
Nominal voltage	220-240 V AC
DC input voltage	Yes, see Appendix 3

Mechanical Properties	
Material housing	Steel
Optical material	Polycarbonate

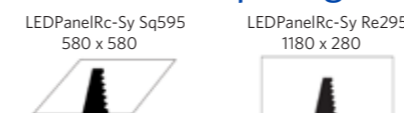
Ambient Conditions	
Operating temperature	-10 - 40 °C
Application temperature	25 °C
Storage environment	-25 - 50 °C



Dimensional Drawing (mm)



Installation Opening Drawing (mm)





LED Slim Panel Performer UGR19

- High efficacy up to 115lm/W, suitable for offices (UGR19)
- Available as Smart Lighting solution (BLE)
- IP54 version available
- Recessed, suspended and surface mounting possible
- Up to 60% lower energy consumption vs TL
- Surface module available (65 mm thickness)



## Specifications

Item Code	Item Description	Equivalent to (W)	Power (W)	Lumen	Efficacy (lm/W)	CCT (K)	Weight (kg/pc)
542004012800	LEDPanelRc-S4 Sq595-30W-3000-WH-U19	TL 4x18W	30	3300	110	3000	3.81
542004012900	LEDPanelRc-S4 Sq595-30W-4000-WH-U19	TL 4x18W	30	3500	115	4000	3.81
542004013000	LEDPanelRc-S4 Re295-30W-3000-WH-U19	TL 2x36W	30	3300	110	3000	3.84
542004013100	LEDPanelRc-S4 Re295-30W-4000-WH-U19	TL 2x36W	30	3500	115	4000	3.84
542004013400	LEDPanelRc-S4 Sq595-30W-DALI-3000-WH-U19	TL 4x18W	30	3300	110	3000	3.81
542004013500	LEDPanelRc-S4 Sq595-30W-DALI-4000-WH-U19	TL 4x18W	30	3500	115	4000	3.81
542004013600	LEDPanelRc-S4 Re295-30W-DALI-3000-WH-U19	TL 2x36W	30	3300	110	3000	3.84
542004013700	LEDPanelRc-S4 Re295-30W-DALI-4000-WH-U19	TL 2x36W	30	3500	115	4000	3.84
140063733	LEDPanelRc-S S595-30W-DALI-4000-U19-IP54	TL 4x18W	30	3500	115	4000	4.50
542004014000	LEDPanelRc-S4 Sq595-30W-BLE-3000-WH-U19	TL 4x18W	30	3300	110	3000	3.81
542004014100	LEDPanelRc-S4 Sq595-30W-BLE-4000-WH-U19	TL 4x18W	30	3500	115	4000	3.81
542004014200	LEDPanelRc-S4 Re295-30W-BLE-3000-WH-U19	TL 2x36W	30	3300	110	3000	3.84
542004014300	LEDPanelRc-S4 Re295-30W-BLE-4000-WH-U19	TL 2x36W	30	3500	115	4000	3.84
542004014600	LEDPanelRc-S4 Sq595-30W-10V-3000-WH-U19	TL 4x18W	30	3300	110	3000	3.81
542004014700	LEDPanelRc-S4 Sq595-30W-10V-4000-WH-U19	TL 4x18W	30	3500	115	4000	3.81
542004014800	LEDPanelRc-S4 Re295-30W-10V-3000-WH-U19	TL 2x36W	30	3300	110	3000	3.84
542004014900	LEDPanelRc-S4 Re295-30W-10V-4000-WH-U19	TL 2x36W	30	3500	115	4000	3.84
542004001300	LEDPanelRc-S S595-30W-10V-4000-U19-IP54	TL 4x18W	30	3500	115	4000	4.50

Available on request with 3- or 5- or 3+2 pole Wieland GST18i of Wago WINSTA connector. BLE versions are not compatible with surface module accessories.

## Accessories



140055484  
LEDPanelRc-SI Sq600-Surface-Module-WH-CT



140055486  
LEDPanelRc-SI Re300-Surface-Module-WH-CT



140057770  
LEDPanelRc-SI Mounting-Springs-595



542098006900  
LEDPanel-S4-Suspension-Kit



542098000800  
LEDPanelRC-SI U19 EM-kit 1h

542098000900  
LEDPanelRC-SI U19 EM-kit 3h

## Technical Specifications

Lifespan (L70B50)	70,000 h
Lifespan (L80B50)	50,000 h
On-/Off-cycles	100,000
Colour consistency (SDCM)	3
Dimmable	No / Yes (DALI/BLE/1-10V)
Beam angle	85 °
Finishing	White RAL9003
Colour rendering index CRI	≥ 80
UGR	19
Degree of protection (IP)	IP20 / IP54
Impact strength	IK02
Protection class	II
Risk group	RG0
Control gear included	Yes
Glow wire test	650 °C
Driver failure rate (at 5,000 hrs)	1 %
Power factor	≥ 0.90

## Electrical Supply

Frequency	50/60 Hz
Nominal voltage	220-240 V AC
DC input voltage	Yes, see Appendix 3

## Mechanical Properties

Material housing	Aluminium
Optical material	PMMA
Cover material	Polystyrene

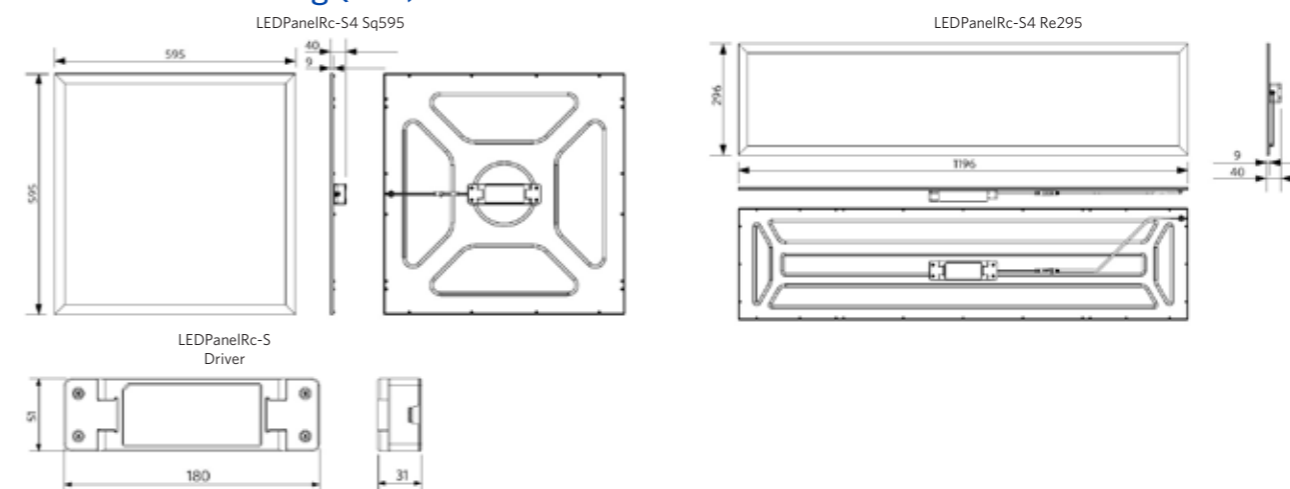
## Ambient Conditions

Operating temperature	-25 - 40 °C
Application temperature	25 °C
Storage environment	-25 - 50 °C

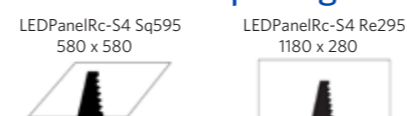


INDOOR

## Dimensional Drawing (mm)



## Installation Opening Drawing (mm)







**LED Slim Panel EcoMax UGR22**

- Slim and well designed, also suitable for suspension
- Up to 55% lower energy consumption vs TL
- Suspension kit and ceiling clip accessories available
- Surface module available (65mm thickness)



## Specifications

Item Code	Item Description	Equivalent to (W)	Power (W)	Lumen	Efficacy (lm/W)	CCT (K)	Weight (kg/pc)
140062700	LEDPanelRc-S-E2 Sq595-34W-3000-WH-U22	TL 4x18W	34	3500	105	3000	3.20
140062701	LEDPanelRc-S-E2 Sq595-34W-4000-WH-U22	TL 4x18W	34	3500	105	4000	3.20
140062706	LEDPanelRc-S-E2 Re295-34W-3000-WH-U22	TL 2x36W	34	3500	105	3000	3.20
140062707	LEDPanelRc-S-E2 Re295-34W-4000-WH-U22	TL 2x36W	34	3500	105	4000	3.20

Available on request with 3- pole Wieland GST18i of Wago WINSTA connector

## Accessories



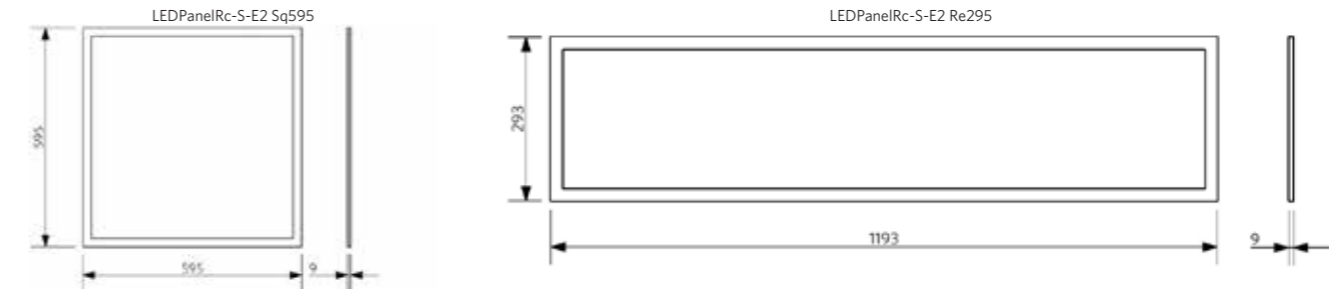
Technical Specifications	
Lifespan (L70B50)	50,000 h
Lifespan (L80B50)	30,000 h
On-/Off-cycles	100,000
Colour consistency (SDCM)	4
Dimmable	No
Beam angle	120 °
Finishing	White RAL9003
Colour rendering index CRI	≥ 80
UGR	22
Degree of protection (IP)	IP20
Impact strength	IK02
Protection class	II
Risk group	RG0
Control gear included	Yes
Glow wire test	650 °C
Driver failure rate (at 5,000 hrs)	1 %
Power factor	≥ 0.90

Electrical Supply	
Frequency	50/60 Hz
Nominal voltage	220-240 V AC
DC input voltage	Yes, see Appendix 3

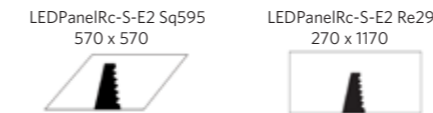
Mechanical Properties	
Material housing	Aluminium
Optical material	Polystyrene
Cover material	Polycarbonate (PC)

Ambient Conditions	
Operating temperature	-10 - 40 °C
Application temperature	25 °C
Storage environment	-25 - 50 °C

## Dimensional Drawing (mm)



## Installation Opening Drawing (mm)



INDOOR





LED Slim Panel Basic

- Suitable for recessed and suspended applications
- Replacement for conventional 4x18W luminaire
- Energy saving up to 55%
- Comfortable and uniform light available in UGR22 and UGR19
- Slim design, only 8mm thick
- Solid aluminum frame



## Specifications

Item Code	Item Description	Equivalent to (W)	Power (W)	Lumen	Efficacy (lm/W)	UGR	CCT (K)	Beam angle	Weight (kg/pc)
542004008610	LEDPanelRc-S-B Sq595-36W-3000-WH-U19	TL 4x18W	36	3060	85	19	3000	85 °	2.48
140066707	LEDPanelRc-S-B Sq595-36W-4000-WH-U19	TL 4x18W	36	3240	90	19	4000	85 °	2.48
542004008710	LEDPanelRc-S-B Sq595-36W-3000-WH	TL 4x18W	36	3060	85	22	3000	120 °	2.20
140067185	LEDPanelRc-S-B Sq595-36W-4000-WH	TL 4x18W	36	3240	90	22	4000	120 °	2.20

## Accessories



140055484  
LEDPanelRc-SI Sq600-Surface-Module-WH-CT



140053150  
LEDPanelRc-SI-E Mounting-Springs



140055365  
LEDPanel-SI-E-Suspension-Kit

Mounting springs and suspension kit compatible with 140066707 and 542004008610 only.

Technical Specifications	
Lifespan (L70B50)	50,000 h
On-/Off-cycles	100,000
Dimmable	No
Finishing	White RAL9003
Colour rendering index CRI	≥ 80
Degree of protection (IP)	IP20
Protection class	II
Risk group	RG0
Control gear included	Yes
Glow wire test	650 °C
Driver failure rate (at 5,000 hrs)	1 %
Power factor	≥ 0.90

Electrical Supply	
Frequency	50/60 Hz
Nominal voltage	220-240 V AC
DC input voltage	Yes, see Appendix 3

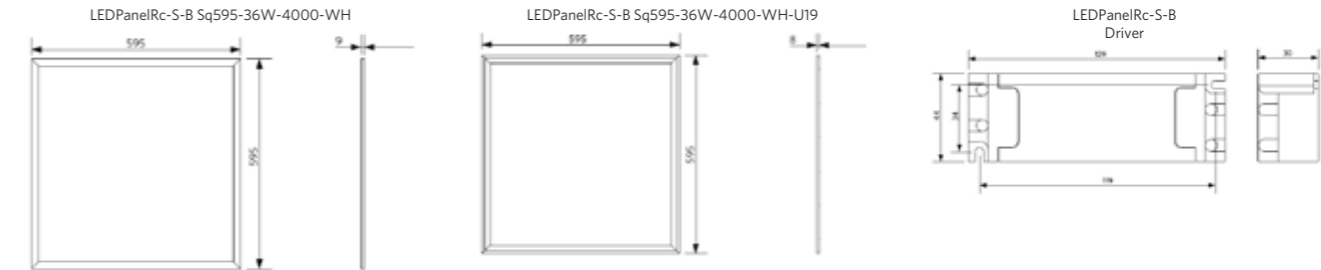
Mechanical Properties	
Material housing	Aluminium
Optical material	Polystyrene

Ambient Conditions	
Operating temperature	-10 - 45 °C
Application temperature	25 °C
Storage environment	-25 - 50 °C

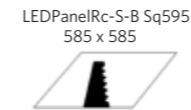


INDOOR

## Dimensional Drawing (mm)



## Installation Opening Drawing (mm)





LED Lima

- NEW: Available as wireless Smart Lighting solution (BLE)
- Stylish linear luminaire suitable for surface mounting and suspended use
- Suitable for use in office
- Available in 1200 & 1500mm length
- Suspension kit including transparent cable as accessory
- Connection kit accessory to create continuous lines available
- DALI or Smart Lighting (BLE) dimmable



## Specifications

Item Code	Item Description	Equivalent to (W)	Power (W)	Lumen	Efficacy (lm/W)	UGR	CCT (K)	Weight (kg/pc)
542005000500	LEDLima L12-15W-3000-U19-DALI	TL 1x28W	15	1725	110	19	3000	2.55
542005000600	LEDLima L12-15W-4000-U19-DALI	TL 1x28W	15	1800	115	19	4000	2.55
542005000700	LEDLima L15-18W-3000-U19-DALI	TL 1x35W	18	2070	110	19	3000	3.08
542005000800	LEDLima L15-18W-4000-U19-DALI	TL 1x35W	18	2160	115	19	4000	3.08
542005001300	LEDLima L12-30W-3000-DALI	TL 1x54W	30	3300	110	22	3000	2.55
542005001400	LEDLima L12-30W-4000-DALI	TL 1x54W	30	3450	115	22	4000	2.55
542005001500	LEDLima L15-36W-3000-DALI	TL 1x80W	36	3960	110	22	3000	3.08
542005001600	LEDLima L15-36W-4000-DALI	TL 1x80W	36	4140	115	22	4000	3.08
542005004900	LEDLima L12-15W-3000-U19-BLE	TL 1x28W	15	1725	110	19	3000	2.55
542005004800	LEDLima L12-15W-4000-U19-BLE	TL 1x28W	15	1800	115	19	4000	2.55
542005004700	LEDLima L15-18W-3000-U19-BLE	TL 1x35W	18	2070	110	19	3000	3.08
542005004600	LEDLima L15-18W-4000-U19-BLE	TL 1x35W	18	2160	115	19	4000	3.08
542005004500	LEDLima L12-30W-3000-BLE	TL 1x54W	30	3300	110	22	3000	2.55
542005004400	LEDLima L12-30W-4000-BLE	TL 1x54W	30	3450	115	22	4000	2.55
542005004300	LEDLima L15-36W-3000-BLE	TL 1x80W	36	3960	110	22	3000	3.08
542005004200	LEDLima L15-36W-4000-BLE	TL 1x80W	36	4140	115	22	4000	3.08

Emergency lighting available on request.

## Accessories



599006009000  
LEDLima Suspension-Kit



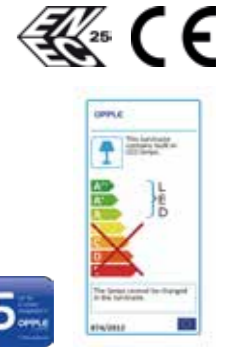
599006008900  
LEDLima Connection-Kit

Technical Specifications	
Lifespan (L70B50)	70,000 h
Lifespan (L80B50)	50,000 h
On-/Off-cycles	100,000
Dimmable	Yes (DALI/BLE)
Beam angle	70 °
Finishing	Aluminum
Colour rendering index CRI	≥ 80
Degree of protection (IP)	IP20
Impact strength	IK02
Protection class	I
Risk group	RG0
Control gear included	Yes
Glow wire test	650 °C
Driver failure rate (at 5,000 hrs)	1 %
Power factor	≥ 0.90

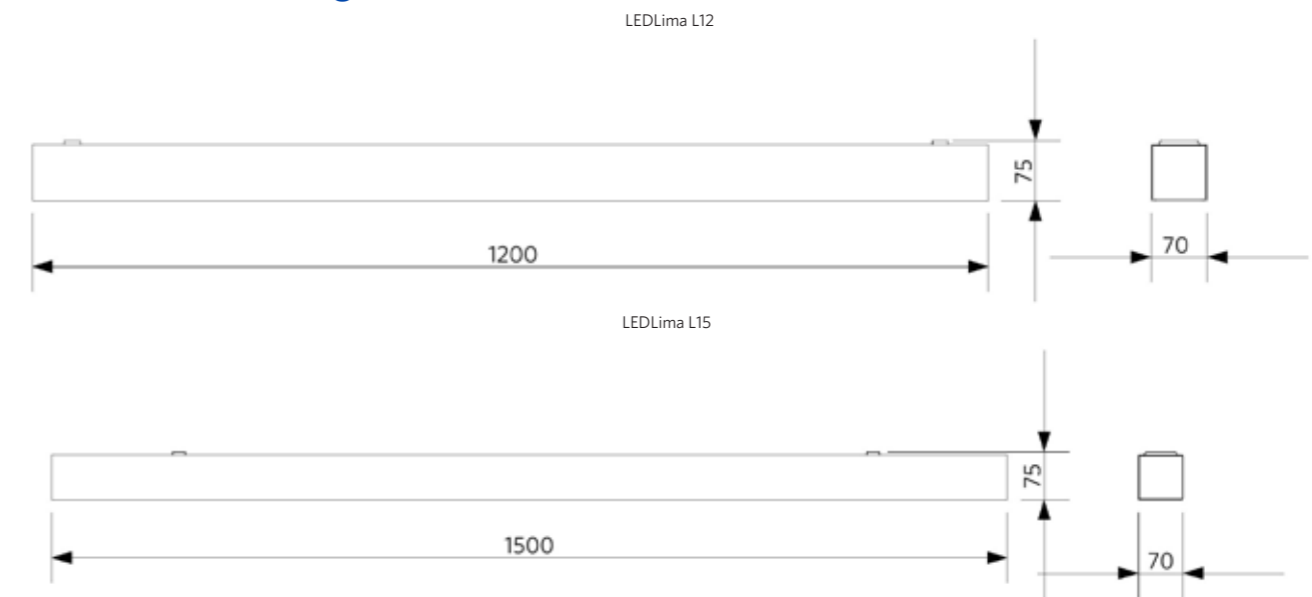
Electrical Supply	
Frequency	50/60 Hz
Nominal voltage	220-240 V AC
DC input voltage	Yes, see Appendix 3

Mechanical Properties	
Material housing	Aluminium
Optical material	Polycarbonate

Ambient Conditions	
Operating temperature	-10 - 45 °C
Application temperature	25 °C
Storage environment	-25 - 50 °C



## Dimensional Drawing (mm)





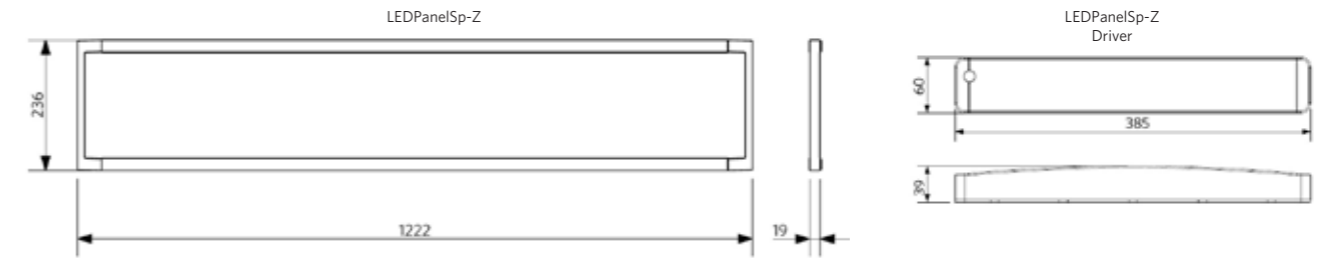


LED Panel Suspended Zenith

- Available as Smart Lighting solution (BLE)
- Special design luminaire distributes light both up and down, combining comfort and efficiency
- High lumen output and high efficacy up to 105 lm/W
- Light up your offices and meeting rooms in an architectural way



Dimensional Drawing (mm)



Specifications

Item Code	Item Description	Equivalent to (W)	Power (W)	Lumen	Efficacy (lm/W)	UGR	CCT (K)	Weight (kg/pc)
140054053	LEDPanelSp-Z L1222-75W-DALI-3000-AL	TL 2x58W	75	7875	105	19	3000	3.90
140054054	LEDPanelSp-Z L1222-75W-DALI-4000-AL	TL 2x58W	75	7875	105	19	4000	3.90
542006001000	LEDPanelSp-Z L1222-75W-BLE-3000-AL	TL 2x58W	75	7875	105	19	3000	3.90
542006000900	LEDPanelSp-Z L1222-75W-BLE-4000-AL	TL 2x58W	75	7875	105	19	4000	3.90

All codes include the required suspension kit. Suspension length 2.5m  
 Available on Request with 5- or 2+3 pole Wieland GST18i connector

Technical Specifications	
Lifespan (L70B50)	60,000 h
Lifespan (L80B50)	40,000 h
On-/Off-cycles	100,000
Colour consistency (SDCM)	3
Dimmable	Yes (DALI)
Beam angle	112° up (50%) + down (50%)
Finishing	Aluminum
Colour rendering index CRI	≥ 80
Degree of protection (IP)	IP20
Impact strength	IK02
Protection class	II
Risk group	RG0
Control gear included	Yes
Glow wire test	650 °C
Driver failure rate (at 5,000 hrs)	1 %
Power factor	≥ 0,90

Electrical Supply	
Frequency	50/60 Hz
Nominal voltage	220-240 V AC
DC input voltage	Yes, see Appendix 3

Mechanical Properties	
Material housing	Aluminium
Optical material	PMMA
Cover material	Semi-opaque PMMA

Ambient Conditions	
Operating temperature	-20 - 45 °C
Application temperature	25 °C
Storage environment	-25 - 50 °C





LED Downlight Performer HG

- Available as wireless Smart Lighting solution (BLE)
- Unique optical lens concept with high gloss (HG) reflector and low glare
- Low luminaire height (max 73mm)
- Direct replacement for compact fluorescent downlights - saving over 60% of energy costs
- IP44 (light output side)
- Provided with protective foil in order to protect the optics against dust and dirt during the installation
- Suitable for retrofitting due to various adapter ring sizes



Specifications

Item Code	Item Description	Equivalent to (W)	Power (W)	Lumen	Efficacy (lm/W)	UGR	CCT (K)	Weight (kg/pc)
140057154	LEDDownlightRc-P-HG R150-11.5W-3000	CFL 1x18W	11.5	1150	102	19	3000	0.45
140057155	LEDDownlightRc-P-HG R150-11.5W-4000	CFL 1x18W	11.5	1200	104	19	4000	0.45
140057152	LEDDownlightRc-P-HG R200-15W-3000	CFL 1x26W	15	1600	108	19	3000	0.76
140057153	LEDDownlightRc-P-HG R200-15W-4000	CFL 1x26W	15	1660	110	19	4000	0.76
140057156	LEDDownlightRc-P-HG R200-23W-3000	CFL 2x26W	23	2350	102	19	3000	0.76
140057157	LEDDownlightRc-P-HG R200-23W-4000	CFL 2x26W	23	2400	104	19	4000	0.76
140057158	LEDDownlightRc-P-HG R200-33W-3000	CFL 2x32W	33	3360	105	22	3000	0.76
140057159	LEDDownlightRc-P-HG R200-33W-4000	CFL 2x32W	33	3500	107	22	4000	0.76
140057162	LEDDownlightRc-P-HG R150-11.5W-DALI-3000	CFL 1x18W	11.5	1150	100	19	3000	0.45
140057163	LEDDownlightRc-P-HG R150-11.5W-DALI-4000	CFL 1x18W	11.5	1200	102	19	4000	0.45
140057160	LEDDownlightRc-P-HG R200-15W-DALI-3000	CFL 1x26W	15	1600	105	19	3000	0.76
140057161	LEDDownlightRc-P-HG R200-15W-DALI-4000	CFL 1x26W	15	1660	107	19	4000	0.76
140057164	LEDDownlightRc-P-HG R200-23W-DALI-3000	CFL 2x26W	23	2350	100	19	3000	0.76
140057165	LEDDownlightRc-P-HG R200-23W-DALI-4000	CFL 2x26W	23	2400	102	19	4000	0.76
140057166	LEDDownlightRc-P-HG R200-33W-DALI-3000	CFL 2x32W	33	3360	103	22	3000	0.76
140057167	LEDDownlightRc-P-HG R200-33W-DALI-4000	CFL 2x32W	33	3500	105	22	4000	0.76
140063611	LEDDownlightRc-P-HG R150-11.5W-BLE-3000	CFL 1x18W	11.5	1150	100	19	3000	0.45
140063612	LEDDownlightRc-P-HG R150-11.5W-BLE-4000	CFL 1x18W	11.5	1200	102	19	4000	0.45
140063613	LEDDownlightRc-P-HG R200-15W-BLE-3000	CFL 1x26W	15	1600	105	19	3000	0.76
140063614	LEDDownlightRc-P-HG R200-15W-BLE-4000	CFL 1x26W	15	1660	107	19	4000	0.76
140063615	LEDDownlightRc-P-HG R200-23W-BLE-3000	CFL 2x26W	23	2350	100	19	3000	0.76
140063616	LEDDownlightRc-P-HG R200-23W-BLE-4000	CFL 2x26W	23	2400	102	19	4000	0.76
140063617	LEDDownlightRc-P-HG R200-33W-BLE-3000	CFL 2x32W	33	3360	103	22	3000	0.76
140063618	LEDDownlightRc-P-HG R200-33W-BLE-4000	CFL 2x32W	33	3500	105	22	4000	0.76

Available on request with 5- or 2+3 pole Wieland GST18i of Wago WINSTA connector.  
BLE versions are not compatible with surface module accessories.

Accessories



140060646  
LEDDownlightRc-P-HZ-Adapter-150-175

140060647  
LEDDownlightRc-P-SI-E-Adapter-200-225

140060648  
LEDDownlightRc-P-SI-E-Adapter-200-250



140061242  
LEDDownlightRc-P-R150-Surface-Module-WH

140061243  
LEDDownlightRc-P-R200-Surface-Module-WH



549098001400  
LEDDownlightRc-P EM-kit 3h

549098001300  
LEDDownlightRc-P EM-kit 1h

For adapter ring dimensional drawings see LED Downlight Slim Ecomax (p.54-55).

Technical Specifications

Lifespan (L70B50)	60,000 h
Lifespan (L80B50)	40,000 h
On-/Off-cycles	100,000
Colour consistency (SDCM)	3
Dimmable	No / Yes (DALI/BLE)
Beam angle	70 °
Finishing	White RAL9003
Colour rendering index CRI	≥ 80
Degree of protection (IP)	IP44
IP recessed part	IP20
Impact strength	IK02
Protection class	II
Risk group	RG0 / RG1 (23W & 33W)
Control gear included	Yes
Glow wire test	650 °C
Driver failure rate (at 5,000 hrs)	1 %
Power factor	≥ 0.90

Electrical Supply

Frequency	50/60 Hz
Nominal voltage	220-240 V AC
DC input voltage	Yes, see Appendix 3

Mechanical Properties

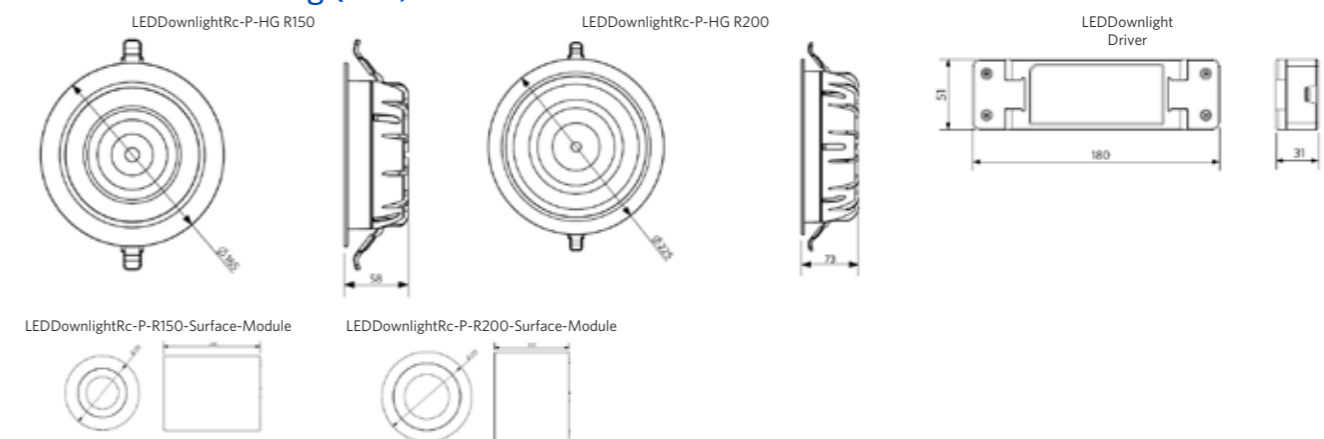
Material housing	Die-casted Aluminum
Optical material	Aluminum coated PC

Ambient Conditions

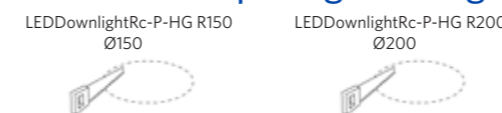
Operating temperature	-10 - 40 °C
Application temperature	25 °C
Storage environment	-25 - 50 °C



Dimensional Drawing (mm)



Installation Opening Drawing (mm)





LED Downlight Performer MW

- Available as wireless Smart Lighting solution (BLE)
- Unique optical lens concept with matte white (MW) reflector and low glare
- Low luminaire height (max 73mm)
- Direct replacement for compact fluorescent downlights - saving over 60% of energy costs
- IP44 (light output side)
- Common cut-out diameters of 150mm and 200mm
- Provided with protective foil in order to protect the optics against dust and dirt during the installation
- Suitable for retrofitting due to available adapter ring sizes



Specifications

Item Code	Item Description	Equivalent to (W)	Power (W)	Lumen	Efficacy (lm/W)	UGR	CCT (K)	Weight (kg/pc)
140057170	LEDDownlightRc-P-MW R150-11.5W-3000	CFL 1x18W	11.5	1150	102	22	3000	0.45
140057171	LEDDownlightRc-P-MW R150-11.5W-4000	CFL 1x18W	11.5	1200	104	22	4000	0.45
140057168	LEDDownlightRc-P-MW R200-15W-3000	CFL 1x26W	15	1600	108	19	3000	0.76
140057169	LEDDownlightRc-P-MW R200-15W-4000	CFL 1x26W	15	1660	110	19	4000	0.76
140057172	LEDDownlightRc-P-MW R200-23W-3000	CFL 2x26W	23	2350	102	22	3000	0.76
140057173	LEDDownlightRc-P-MW R200-23W-4000	CFL 2x26W	23	2400	104	22	4000	0.76
140057174	LEDDownlightRc-P-MW R200-33W-3000	CFL 2x32W	33	3360	105	22	3000	0.76
140057175	LEDDownlightRc-P-MW R200-33W-4000	CFL 2x32W	33	3500	107	22	4000	0.76
140057178	LEDDownlightRc-P-MW R150-11.5W-DALI-3000	CFL 1x18W	11.5	1150	100	22	3000	0.45
140057179	LEDDownlightRc-P-MW R150-11.5W-DALI-4000	CFL 1x18W	11.5	1200	102	22	4000	0.45
140057176	LEDDownlightRc-P-MW R200-15W-DALI-3000	CFL 1x26W	15	1600	105	19	3000	0.76
140057177	LEDDownlightRc-P-MW R200-15W-DALI-4000	CFL 1x26W	15	1660	107	19	4000	0.76
140057180	LEDDownlightRc-P-MW R200-23W-DALI-3000	CFL 2x26W	23	2350	100	22	3000	0.76
140057181	LEDDownlightRc-P-MW R200-23W-DALI-4000	CFL 2x26W	23	2400	102	22	4000	0.76
140057182	LEDDownlightRc-P-MW R200-33W-DALI-3000	CFL 2x32W	33	3360	103	22	3000	0.76
140057183	LEDDownlightRc-P-MW R200-33W-DALI-4000	CFL 2x32W	33	3500	105	22	4000	0.76
140063619	LEDDownlightRc-P-MW R150-11.5W-BLE-3000	CFL 1x18W	11.5	1150	100	19	3000	0.45
140063620	LEDDownlightRc-P-MW R150-11.5W-BLE-4000	CFL 1x18W	11.5	1200	102	19	4000	0.45
140063621	LEDDownlightRc-P-MW R200-15W-BLE-3000	CFL 1x26W	15	1600	105	19	3000	0.76
140063622	LEDDownlightRc-P-MW R200-15W-BLE-4000	CFL 1x26W	15	1660	107	19	4000	0.76
140063623	LEDDownlightRc-P-MW R200-23W-BLE-3000	CFL 2x26W	23	2350	100	19	3000	0.76
140063624	LEDDownlightRc-P-MW R200-23W-BLE-4000	CFL 2x26W	23	2400	102	19	4000	0.76
140063625	LEDDownlightRc-P-MW R200-33W-BLE-3000	CFL 2x32W	33	3360	103	22	3000	0.76
140063626	LEDDownlightRc-P-MW R200-33W-BLE-4000	CFL 2x32W	33	3500	105	22	4000	0.76

Available on request with 5- or 2+3 pole Wieland GST18i of Wago WINSTA connector.

BLE versions are not compatible with surface module accessories.

Accessories



140060646  
LEDDownlightRc-P-HZ-Adapter-150-175

140060647  
LEDDownlightRc-P-SI-E-Adapter-200-225

140060648  
LEDDownlightRc-P-SI-E-Adapter-200-250



140061242  
LEDDownlightRc-P-R150-Surface-Module-WH

140061243  
LEDDownlightRc-P-R200-Surface-Module-WH



549098001400  
LEDDownlightRc-P EM-kit 3h

549098001300  
LEDDownlightRc-P EM-kit 1h

For adapter ring dimensional drawings see LED Downlight Slim Ecomax (p.54-55).

Technical Specifications

Lifespan (L70B50)	60,000 h
Lifespan (L80B50)	40,000 h
On-/Off-cycles	100,000
Colour consistency (SDCM)	3
Dimmable	No / Yes (DALI/BLE)
Beam angle	70 °
Finishing	White RAL9003
Colour rendering index CRI	≥ 80
Degree of protection (IP)	IP44
IP recessed part	IP20
Impact strength	IK02
Protection class	II
Risk group	RG0 / RG1 (23W & 33W)
Control gear included	Yes
Glow wire test	650 °C
Driver failure rate (at 5,000 hrs)	1 %
Power factor	≥ 0.90

Electrical Supply

Frequency	50/60 Hz
Nominal voltage	220-240 V AC
DC input voltage	Yes, see Appendix 3

Mechanical Properties

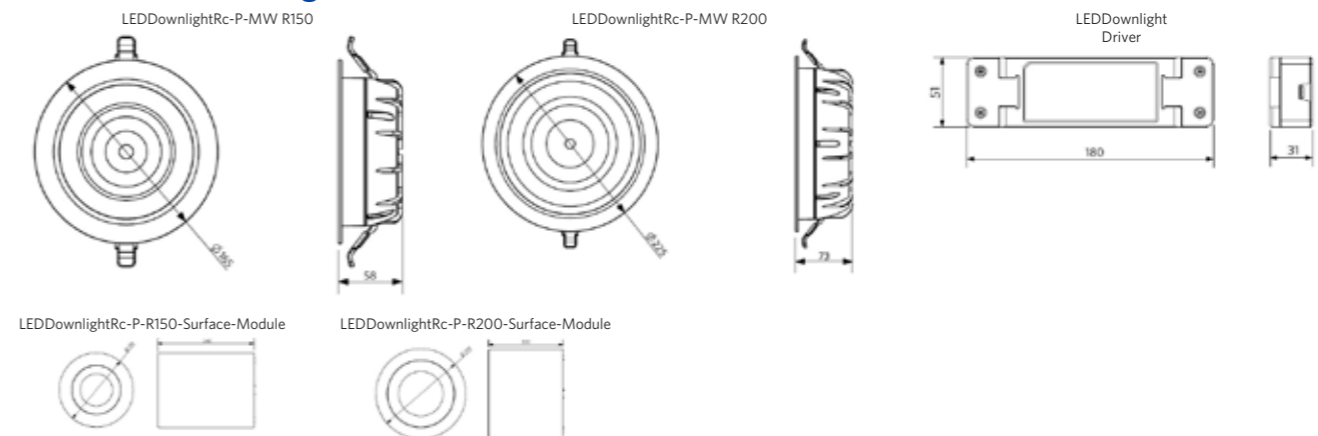
Material housing	Die-casted Aluminum
Optical material	Polycarbonate

Ambient Conditions

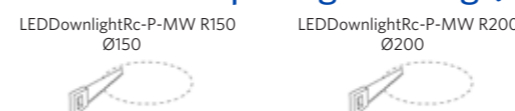
Operating temperature	-10 - 40 °C
Application temperature	25 °C
Storage environment	-25 - 50 °C



Dimensional Drawing (mm)



Installation Opening Drawing (mm)







LED Downlight HZ<sup>DIM</sup>

- Easy switching from CFL to LED – even when dimming is needed
- Integrated driver for easier installation
- High system efficacy up to 94 lm/W
- Lower energy and maintenance costs
- IP44 (light output side)
- Suitable for retrofitting due to available adapter ring sizes



## Specifications

Item Code	Item Description	Equivalent to (W)	Power (W)	Lumen	Efficacy (lm/W)	CCT (K)	Weight (kg/pc)
140051474	LEDDownlightRc-HZ R125-7W-Dim-3000-WH	CFL 1x13W	7	600	86	3000	0.17
140051475	LEDDownlightRc-HZ R125-7W-Dim-4000-WH	CFL 1x13W	7	600	86	4000	0.17
140051476	LEDDownlightRc-HZ R150-10W-Dim-3000-WH	CFL 1x18W	10	900	90	3000	0.25
140051477	LEDDownlightRc-HZ R150-10W-Dim-4000-WH	CFL 1x18W	10	900	90	4000	0.25
140051478	LEDDownlightRc-HZ R175-13W-Dim-3000-WH	CFL 1x26W	13	1200	92	3000	0.32
140051479	LEDDownlightRc-HZ R175-13W-Dim-4000-WH	CFL 1x26W	13	1200	92	4000	0.32
140051480	LEDDownlightRc-HZ R200-16W-Dim-3000-WH	CFL 1x26W	16	1500	94	3000	0.37
140051481	LEDDownlightRc-HZ R200-16W-Dim-4000-WH	CFL 1x26W	16	1500	94	4000	0.37

Available on request with 3- pole Wieland GST18i connector. See appendix 1 for dimmer compatibility list.

## Accessories



140060650  
LEDDownlightRc-HZdim-Adapter-125-150

140060646  
LEDDownlightRc-P-HZ-Adapter-150-175

140060651  
LEDDownlightRc-HZdim-Adapter-175-200

140060649  
LEDDownlightRc-HZdim-Adapter-200-250

140060652  
LEDDownlightRc-HZdim-Adapter-200-225

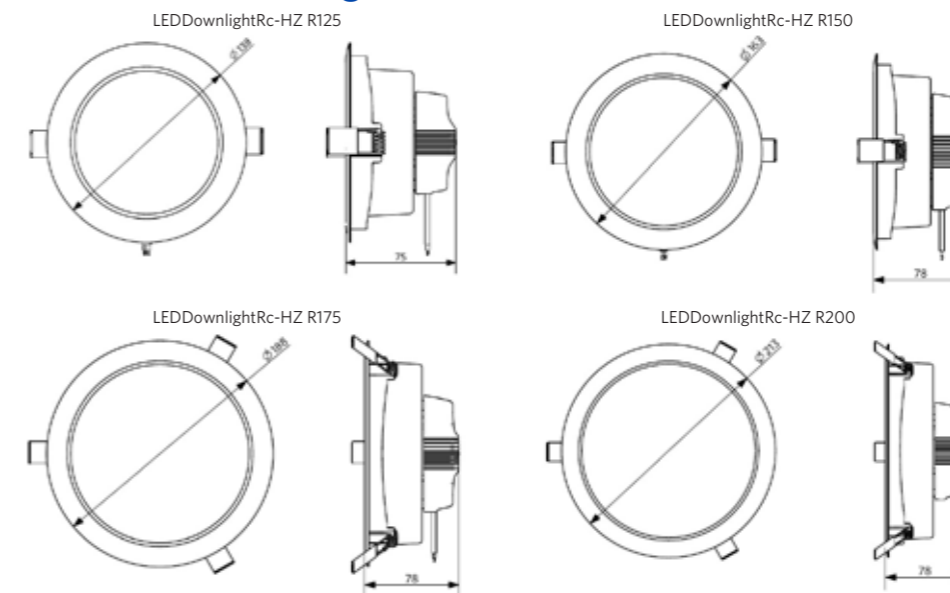
Technical Specifications	
Lifespan (L70B50)	50,000 h
Lifespan (L80B50)	30,000 h
On-/Off-cycles	100,000
Colour consistency (SDCM)	4
Dimmable	Yes (Triac)
Beam angle	110 °
Finishing	White RAL9003
Colour rendering index CRI	≥ 80
Degree of protection (IP)	IP44
IP recessed part	IP20
Impact strength	IK02
Protection class	II
Risk group	RG0
Control gear included	Yes
Glow wire test	650 °C
Driver failure rate (at 5,000 hrs)	1 %
Power factor	≥ 0.90

Electrical Supply	
Frequency	50/60 Hz
Nominal voltage	220-240 V AC
DC input voltage	Yes, see Appendix 3

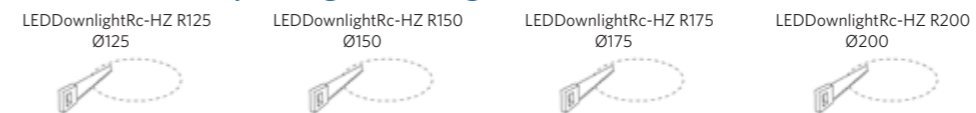
Mechanical Properties	
Material housing	Aluminum + Polycarbonate
Optical material	Polycarbonate

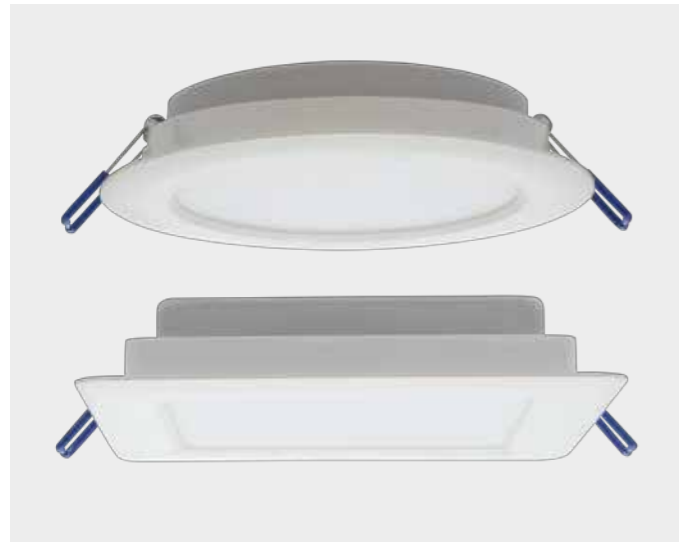
Ambient Conditions	
Operating temperature	-10 - 40 °C
Application temperature	25 °C
Storage environment	-25 - 50 °C

## Dimensional Drawing (mm)



## Installation Opening Drawing (mm)





## LED Downlight Slim EcoMax

- Very flat design, only 34mm height
- Available in both round and square version
- Integrated driver for easier installation
- Two lumen packages
- Efficacy up to 85 lm/W



### Specifications

Item Code	Item Description	Equivalent to (W)	Power (W)	Lumen	Efficacy (lm/W)	CCT (K)	Weight (kg/pc)
140056557	LEDDownlightRc-SI-E Rd150-12W-3000-WH	CFL 1x18W	12	1020	85	3000	0.25
140056558	LEDDownlightRc-SI-E Rd150-12W-4000-WH	CFL 1x18W	12	1020	85	4000	0.25
140056559	LEDDownlightRc-SI-E Rd200-24W-3000-WH	CFL 2x26W	24	2040	85	3000	0.41
140056560	LEDDownlightRc-SI-E Rd200-24W-4000-WH	CFL 2x26W	24	2040	85	4000	0.41
140056561	LEDDownlightRc-SI-E Sq150-12W-3000-WH	CFL 1x18W	12	1020	85	3000	0.24
140056562	LEDDownlightRc-SI-E Sq150-12W-4000-WH	CFL 1x18W	12	1020	85	4000	0.24
140056563	LEDDownlightRc-SI-E Sq200-24W-3000-WH	CFL 2x26W	24	2040	85	3000	0.55
140056564	LEDDownlightRc-SI-E Sq200-24W-4000-WH	CFL 2x26W	24	2040	85	4000	0.55

Available on request with 3- pole Wieland GST18i connector

### Accessories



140060653  
LEDDownlightRc-SI-E-Adapter-150-175

140060647  
LEDDownlightRc-P-SI-E-Adapter-200-225

140060648  
LEDDownlightRc-P-SI-E-Adapter-200-250

Technical Specifications	
Lifespan (L70B50)	40,000 h
Lifespan (L80B50)	20,000 h
On-/Off-cycles	100,000
Colour consistency (SDCM)	3
Dimmable	No
Beam angle	112 °
Finishing	White RAL9003
Colour rendering index CRI	≥ 80
Degree of protection (IP)	IP44
IP recessed part	IP20
Impact strength	IK02
Protection class	II
Risk group	RGO
Control gear included	Yes
Glow wire test	650 °C
Driver failure rate (at 5,000 hrs)	1 %
Power factor	≥ 0.90

Electrical Supply	
Frequency	50/60 Hz
Nominal voltage	220-240 V
	AC
DC input voltage	No

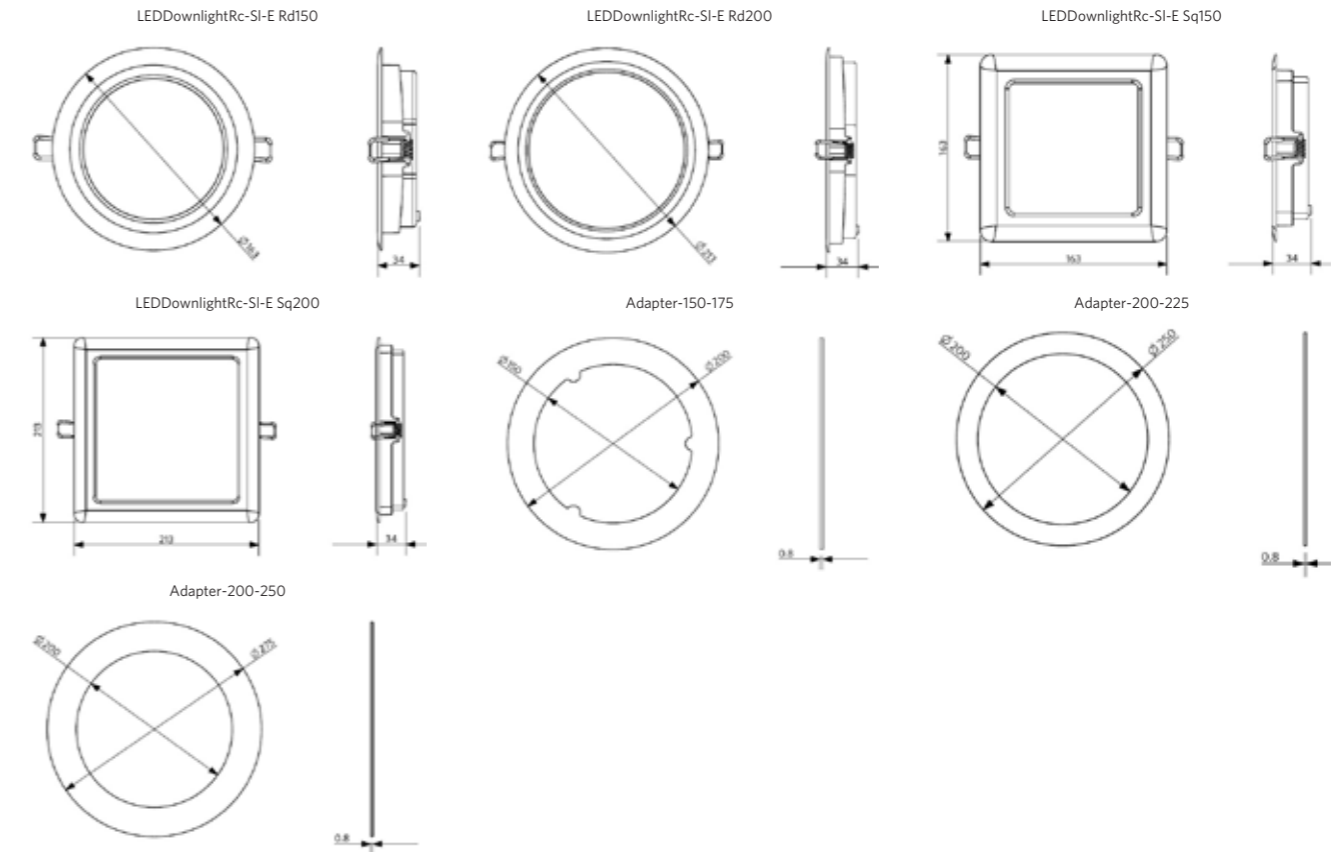
Mechanical Properties	
Material housing	Plastic
Optical material	Polycarbonate

Ambient Conditions	
Operating temperature	-10 - 40 °C
Application temperature	25 °C
Storage environment	-25 - 50 °C

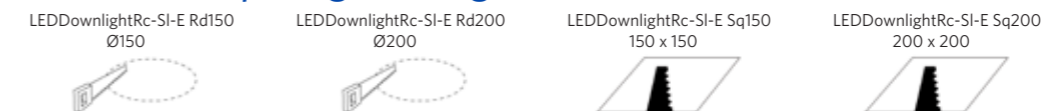


INDOOR

### Dimensional Drawing (mm)



### Installation Opening Drawing (mm)





- Suitable for recessed applications
- Replacement for conventional 1x18W or 2x26W CFL luminaires
- Energy saving up to 60%
- Flicker-free light with perfect uniformity
- Easy to install due to integrated LED driver



Specifications

Item Code	Item Description	Equivalent to (W)	Power (W)	Lumen	Efficacy (lm/W)	CCT (K)	Weight (kg/pc)
540001023800	LEDDownlightRc-B Rd150-12W-3000-WH	CFL 1x18W	12	930	79	3000	0.15
540001000510	LEDDownlightRc-B Rd150-12W-4000-WH	CFL 1x18W	12	960	80	4000	0.15
540001023700	LEDDownlightRc-B Rd200-22W-3000-WH	CFL 2x26W	22	1800	82	3000	0.25
540001000410	LEDDownlightRc-B Rd200-22W-4000-WH	CFL 2x26W	22	1870	85	4000	0.25

Technical Specifications	
Lifespan (L70B50)	30,000 h
On-/Off-cycles	100,000
Dimmable	No
Beam angle	110 °
Finishing	White RAL9003
Colour rendering index CRI	≥ 80
Degree of protection (IP)	IP20
Impact strength	IK02
Protection class	II
Risk group	RG0
Control gear included	Yes
Glow wire test	650 °C
Driver failure rate (at 5,000 hrs)	1 %
Power factor	0.50

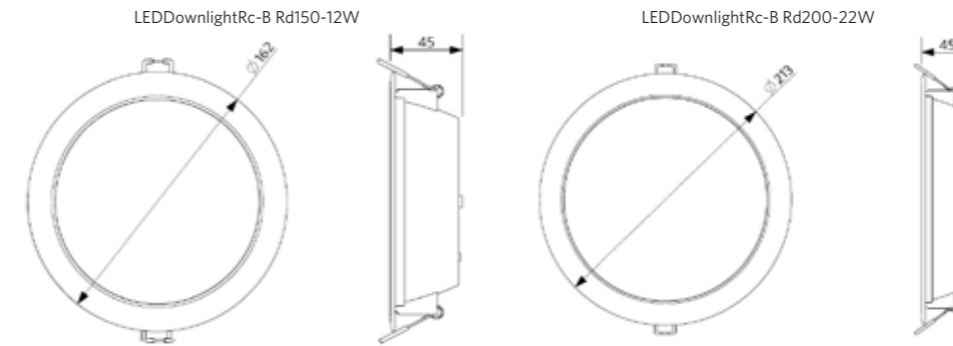
Electrical Supply	
Frequency	50/60 Hz
Nominal voltage	220-240 V AC
DC input voltage	Yes, see Appendix 3

Mechanical Properties	
Material housing	Polycarbonate (PC)
Optical material	Polypropylene (PP)

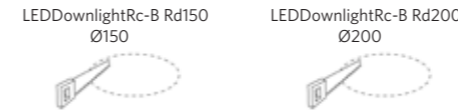
Ambient Conditions	
Operating temperature	-10 - 45 °C
Application temperature	25 °C
Storage environment	-25 - 50 °C



Dimensional Drawing (mm)



Installation Opening Drawing (mm)







LED Spot Performer 3C Compact

- Compact track spot with elegant cylindrical design
- High lumen packages with high efficiency: 3150 lm and 90 lm/W
- Adapt the beam angle with exchangeable reflector
- Equipped with Global track adapters
- Fitting common Global/Nordic Aluminum® 3C Tracks - any many other standard types
- Low glare due to matte black anti-glare ring
- Available in matte white (WH) and matte black (BL) versions



Specifications

Item Code	Item Description	Equivalent to (W)	Power (W)	Lumen	Efficacy (lm/W)	CCT (K)	Beam angle	Weight (kg/pc)
541001053900	LEDspot3C-C-P 25W-3000-36D-WH	HID 35W	25	2125	85	3000	36°	0.74
541001053700	LEDspot3C-C-P 25W-4000-36D-WH	HID 35W	25	2250	90	4000	36°	0.74
541001053500	LEDspot3C-C-P 35W-3000-36D-WH	HID 50W	35	2975	85	3000	36°	0.94
541001053300	LEDspot3C-C-P 35W-4000-36D-WH	HID 50W	35	3150	90	4000	36°	0.94
541001052700	LEDspot3C-C-P 25W-3000-36D-BL	HID 35W	25	2125	85	3000	36°	0.74
541001053000	LEDspot3C-C-P 25W-4000-36D-BL	HID 35W	25	2250	90	4000	36°	0.74
541001052800	LEDspot3C-C-P 35W-3000-36D-BL	HID 50W	35	2975	85	3000	36°	0.94
541001052600	LEDspot3C-C-P 35W-4000-36D-BL	HID 50W	35	3150	90	4000	36°	0.94

Accessories



550098000300  
LEDspot3C-C-P R85-Reflector-24D

550098000500  
LEDspot3C-C-P R100-Reflector-24D

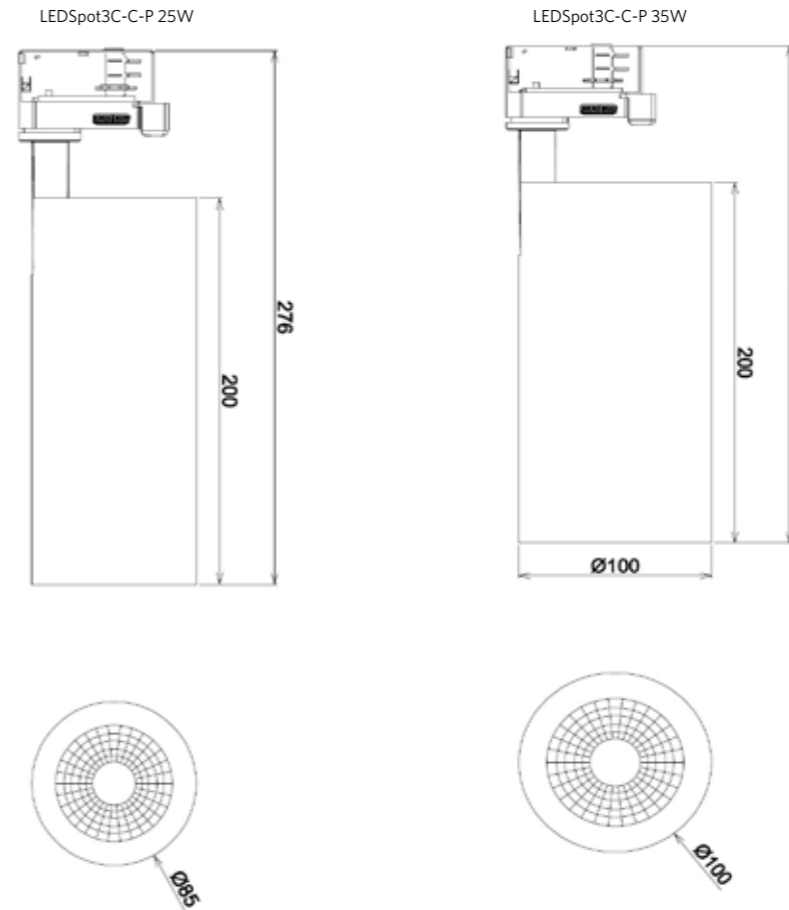
Technical Specifications	
Lifespan (L70B50)	70,000 h
Lifespan (L80B50)	50,000 h
On-/Off-cycles	100,000
Colour consistency (SDCM)	4
Dimmable	No
Maximum tilt angle	85 °
Finishing	Matte white, matte black anti-glare ring / Matte Black, Matte Black anti-glare ring
Colour rendering index CRI	≥ 90
Degree of protection (IP)	IP20
Impact strength	IK03
Protection class	II
Risk group	RG0
Control gear included	Yes
Glow wire test	650 °C
Driver failure rate (at 5,000 hrs)	1 %
Power factor	≥ 0.90

Electrical Supply	
Frequency	50/60 Hz
Nominal voltage	220-240 V AC
DC input voltage	No

Mechanical Properties	
Material housing	Aluminium
Optical material	Coated Polycarbonate
Lens material	Polycarbonate

Ambient Conditions	
Operating temperature	-10 - 40 °C
Application temperature	25 °C
Storage environment	-25 - 50 °C

Dimensional Drawing (mm)



INDOOR





LED Spot Performer 3C

- Attractive design with basic cylinder and box shapes fit easily into shop architectures
- High lumen packages with high efficacy: up to 3,600 lm and 85 lm/W
- Equipped with original Global track adapters
- Fitting common Global/Nordic Aluminium® 3C tracks - and many other standard types
- Low glare due to matte black anti-glare ring
- Available in matte white (WH) and matte black (BL) versions
- High cost savings due to long lifetime (no lamp replacement)



Specifications

Item Code	Item Description	Equivalent to (W)	Power (W)	Lumen	Efficacy (lm/W)	CCT (K)	Beam angle	Weight (kg/pc)
140054439	LEDspot3C-P 30W-3000-40D-WH	HID 50W	30	2400	80	3000	40 °	1.20
140054443	LEDspot3C-P 30W-3000-40D-BL	HID 50W	30	2400	80	3000	40 °	1.20
140054447	LEDspot3C-P 30W-4000-40D-WH	HID 50W	30	2550	85	4000	40 °	1.20
140054451	LEDspot3C-P 30W-4000-40D-BL	HID 50W	30	2550	85	4000	40 °	1.20
140058472	LEDspot3C-P 45W-3000-36D-WH	HID 70W	45	3375	75	3000	36 °	1.60
140058476	LEDspot3C-P 45W-3000-36D-BL	HID 70W	45	3375	75	3000	36 °	1.60
140058480	LEDspot3C-P 45W-4000-36D-WH	HID 70W	45	3600	80	4000	36 °	1.60
140058484	LEDspot3C-P 45W-4000-36D-BL	HID 70W	45	3600	80	4000	36 °	1.60

Technical Specifications	
Lifespan (L70B50)	50,000 h
Lifespan (L80B50)	30,000 h
On-/Off-cycles	100,000
Colour consistency (SDCM)	3
Dimmable	No
Maximum tilt angle	90 °
Finishing	Matte white, matte black anti-glare ring / Matte Black, Matte Black anti-glare ring
Colour rendering index CRI	≥ 90
Degree of protection (IP)	IP20
Impact strength	IK02
Protection class	I
Risk group	RG1
Control gear included	Yes
Glow wire test	650 °C
Driver failure rate (at 5,000 hrs)	1 %
Power factor	≥ 0.90

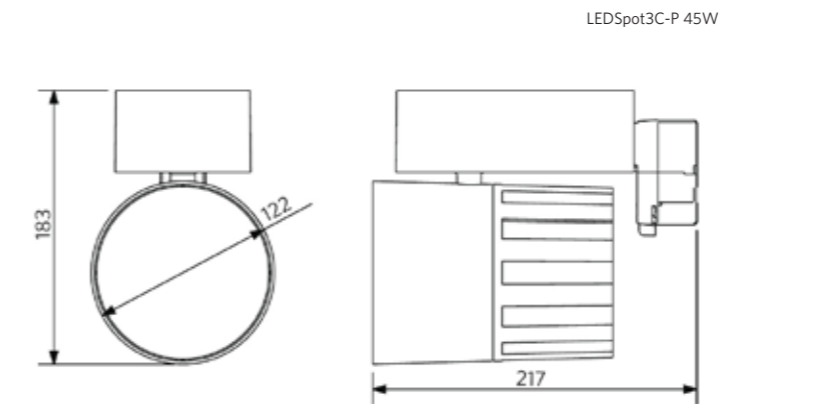
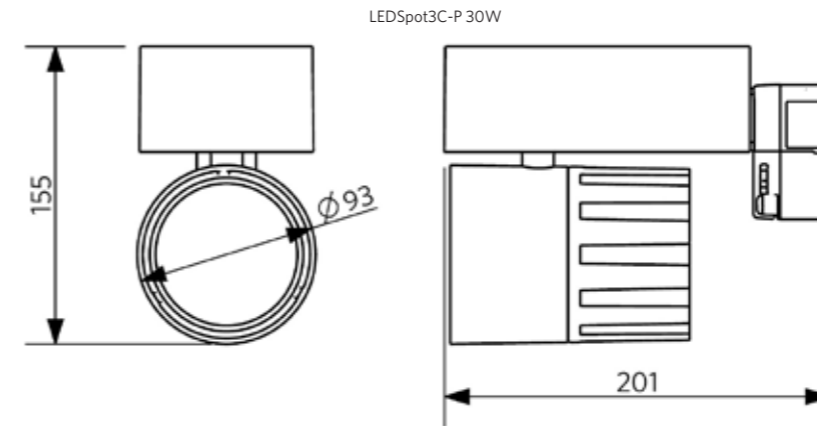
Electrical Supply	
Frequency	50/60 Hz
Nominal voltage	220-240 V AC
DC input voltage	Yes, see Appendix 3

Mechanical Properties	
Material housing	Die-casted Aluminum
Optical material	Polycarbonate
Lens material	Plastic (PC)

Ambient Conditions	
Operating temperature	-25 - 40 °C
Application temperature	25 °C
Storage environment	-25 - 50 °C



Dimensional Drawing (mm)





## LED Spot Performer Swing

- Powerful recessed, rotatable and tiltable spot
- Clean, compact design
- Die-cast aluminium housing
- Excellent colour rendering with CRI 90
- High efficiency up to 100 lm/W



### Specifications

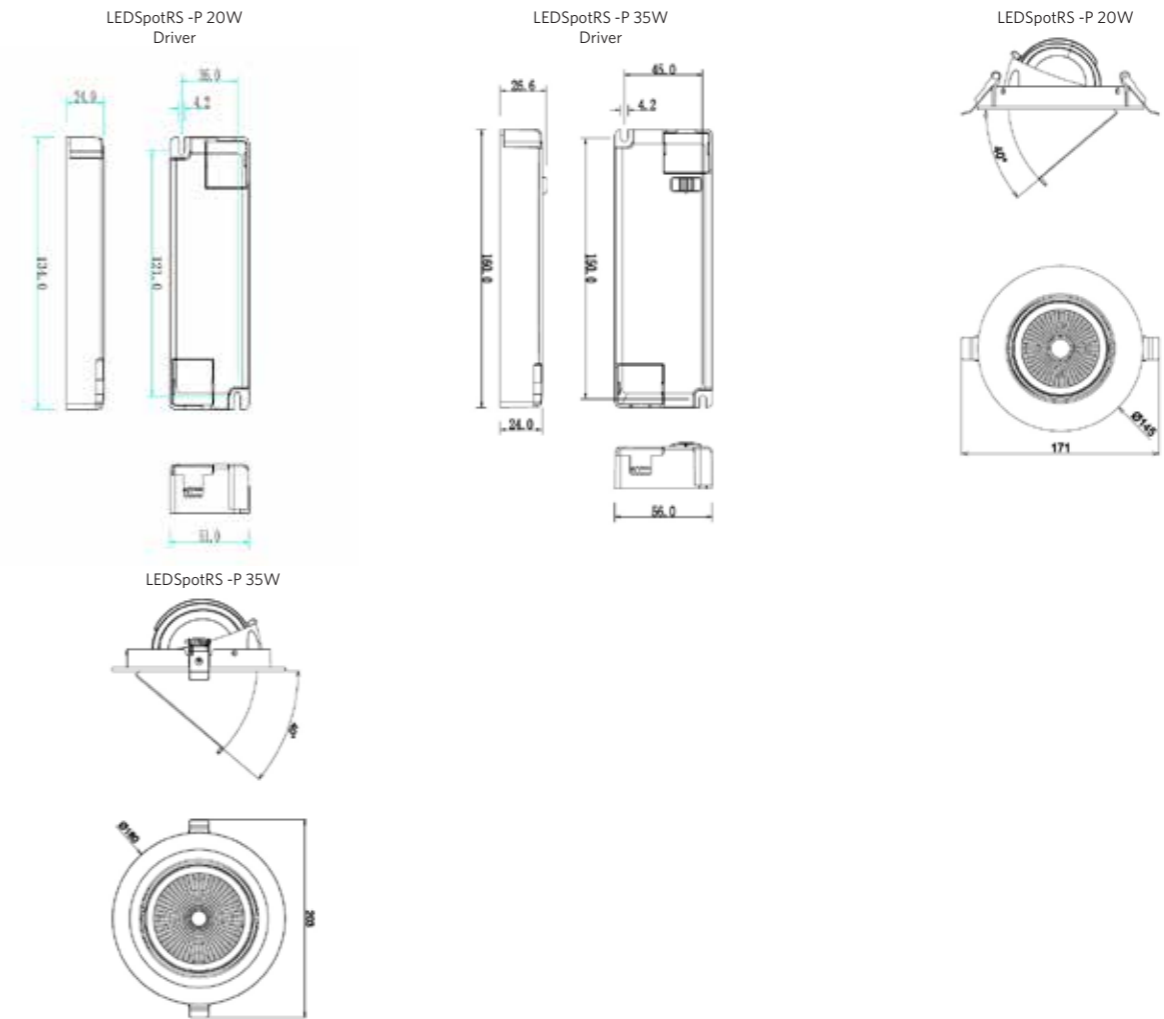
Item Code	Item Description	Equivalent to (W)	Power (W)	Lumen	Efficacy (lm/W)	CCT (K)	Beam angle	Weight (kg/pc)
541003067800	LEDspotRS -P 20W-3000-60D-WH	HID 35W	20	1800	90	3000	60 °	0.57
541003067900	LEDspotRS -P 20W-4000-60D-WH	HID 35W	20	2000	100	4000	60 °	0.57
541003068200	LEDspotRS -P 35W-3000-60D-WH	HID 50W	35	3150	90	3000	60 °	1.07
541003068300	LEDspotRS -P 35W-4000-60D-WH	HID 50W	35	3500	100	4000	60 °	1.07

Technical Specifications	
Lifespan (L70B50)	50,000 h
Lifespan (L80B50)	30,000 h
On-/Off-cycles	100,000
Colour consistency (SDCM)	3
Dimmable	No
Maximum tilt angle	40 °
Finishing	White
Colour rendering index CRI	≥ 90
Degree of protection (IP)	IP20
Impact strength	IK03
Protection class	II
Risk group	RG0
Control gear included	Yes
Glow wire test	650 °C
Driver failure rate (at 5,000 hrs)	0.5 %
Power factor	≥ 0.90

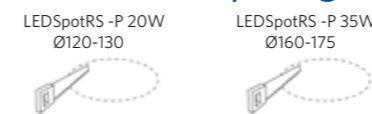
Electrical Supply	
Frequency	50/60 Hz
Nominal voltage	220-240 V AC
DC input voltage	No
Mechanical Properties	
Material housing	Aluminium
Optical material	Coated Polycarbonate
Ambient Conditions	
Operating temperature	-10 - 45 °C
Application temperature	25 °C
Storage environment	-25 - 50 °C



### Dimensional Drawing (mm)



### Installation Opening Drawing (mm)







## LED Spot Performer RA

- High lumen packages with high efficacy: up to 3,600 lm and 85 lm/W
- Tilttable
- Low glare due to matte black anti-glare ring
- Multiple beam angles and DALI versions available
- DALI versions available



## Specifications

Item Code	Item Description	Equivalent to (W)	Power (W)	Lumen	Efficacy (lm/W)	CCT (K)	Beam angle	Weight (kg/pc)
140054455	LEDSpotRA-P 30W-3000-40D-WH	HID 35W	30	2400	80	3000	40 °	0.90
140054459	LEDSpotRA-P 30W-4000-40D-WH	HID 35W	30	2550	85	4000	40 °	0.90
140058488	LEDSpotRA-P 45W-3000-36D-WH	HID 50W	45	3375	75	3000	36 °	1.30
140058492	LEDSpotRA-P 45W-4000-36D-WH	HID 50W	45	3600	80	4000	36 °	1.30
140063683	LEDSpotRA-P 30W-3000-40D-WH-DALI	HID 35W	30	2400	80	3000	40 °	0.88
140063687	LEDSpotRA-P 30W-4000-40D-WH-DALI	HID 35W	30	2550	85	4000	40 °	0.88
140063707	LEDSpotRA-P 45W-3000-36D-WH-DALI	HID 50W	45	3375	75	3000	36 °	1.33
140063711	LEDSpotRA-P 45W-4000-36D-WH-DALI	HID 50W	45	3600	80	4000	36 °	1.33

Technical Specifications	
Lifespan (L70B50)	50,000 h
Lifespan (L80B50)	30,000 h
On-/Off-cycles	100,000
Colour consistency (SDCM)	3
Dimmable	No / Yes (DALI)
Maximum tilt angle	20 °
Finishing	Matte white, matte black anti-glare ring
Colour rendering index CRI	≥ 90
UGR	19
Degree of protection (IP)	IP20
Impact strength	IK02
Protection class	II
Risk group	RG1
Control gear included	Yes
Glow wire test	650 °C
Driver failure rate (at 5,000 hrs)	1 %
Power factor	≥ 0.90

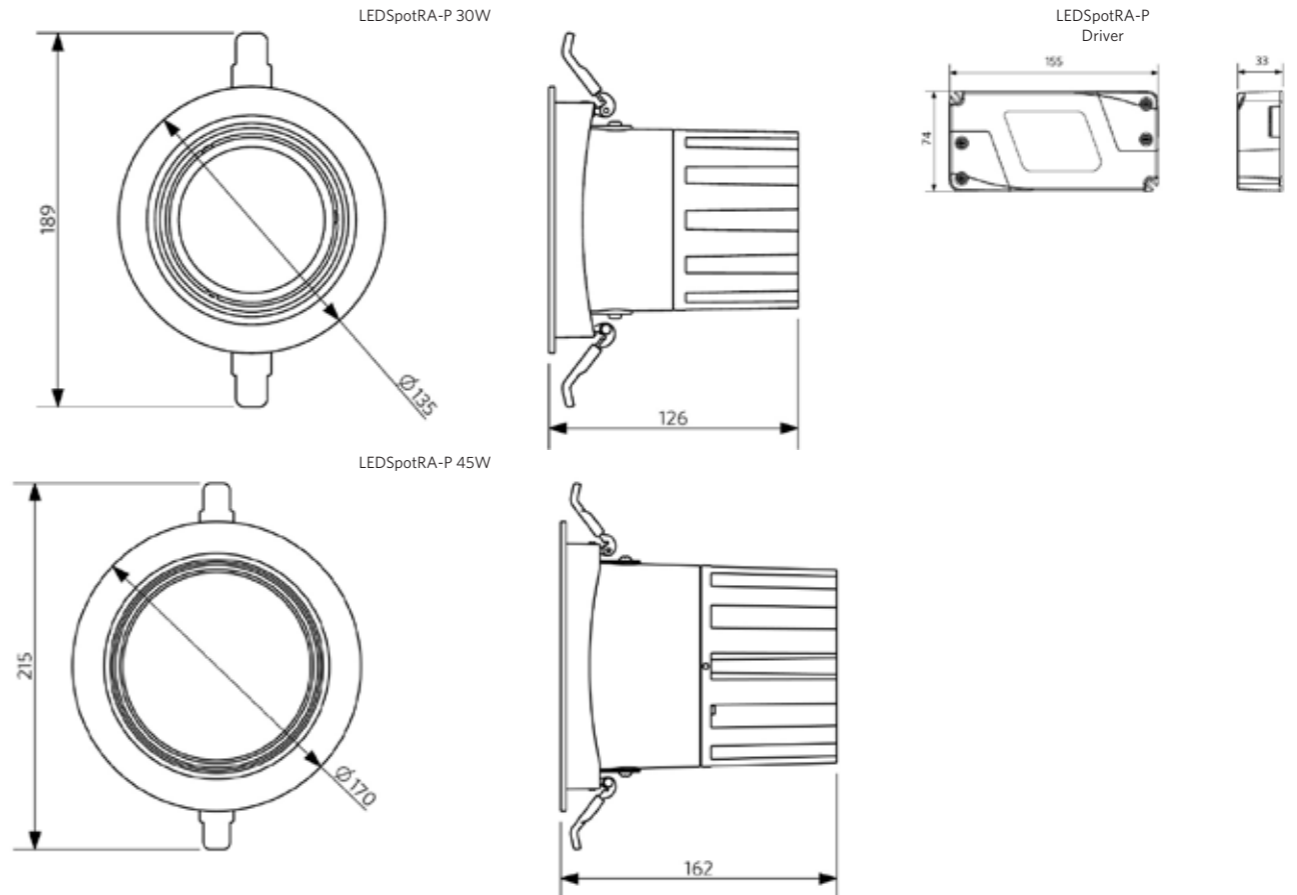
Electrical Supply	
Frequency	50/60 Hz
Nominal voltage	220-240 V AC
DC input voltage	Yes, see Appendix 3

Mechanical Properties	
Material housing	Die-casted Aluminum
Optical material	Polycarbonate
Lens material	Polycarbonate

Ambient Conditions	
Operating temperature	-25 - 40 °C
Application temperature	25 °C
Storage environment	-25 - 50 °C



## Dimensional Drawing (mm)



## Installation Opening Drawing (mm)





## LED Spot Round Adjustable HQ

- Attractive luminaire design with comfortable light beam
- Up to 85% lower energy consumption than halogen spotlights
- Unique light mixing technique and optics design, UGR16
- Good beam orientation adjustment, providing great flexibility
- Full IP44 solution, including IP44 LED-driver
- Available in white and aluminum with light colors 2700K, 3000K and 4000K



## Specifications

Item Code	Item Description	Equivalent to (W)	Power (W)	Lumen	Efficacy (lm/W)	CCT (K)	Beam angle	Weight (kg/pc)
140044423	LEDSpotRA-HQ 7W-Dim-2700-40D-WH-CT	Halogen 35W	7	400	57	2700	40°	0.19
140044096	LEDSpotRA-HQ 7W-Dim-3000-40D-WH-CT	Halogen 35W	7	420	60	3000	40°	0.19
140044100	LEDSpotRA-HQ 7W-Dim-4000-40D-WH-CT	Halogen 35W	7	450	64	4000	40°	0.19
140044419	LEDSpotRA-HQ 7W-Dim-2700-40D-AL-CT	Halogen 35W	7	400	57	2700	40°	0.19
140044080	LEDSpotRA-HQ 7W-Dim-3000-40D-AL-CT	Halogen 35W	7	420	60	3000	40°	0.19
140044084	LEDSpotRA-HQ 7W-Dim-4000-40D-AL-CT	Halogen 35W	7	450	64	4000	40°	0.19
140061281	LEDSpotRA HQ2 8W-Dim-2700-40D-WH-IP44	Halogen 50W	8	600	75	2700	40°	0.40
140061282	LEDSpotRA HQ2 8W-Dim-3000-40D-WH-IP44	Halogen 50W	8	600	75	3000	40°	0.40
140061283	LEDSpotRA HQ2 8W-Dim-4000-40D-WH-IP44	Halogen 50W	8	600	75	4000	40°	0.40
140061278	LEDSpotRA HQ2 8W-Dim-2700-40D-AL-IP44	Halogen 50W	8	600	75	2700	40°	0.40
140061279	LEDSpotRA HQ2 8W-Dim-3000-40D-AL-IP44	Halogen 50W	8	600	75	3000	40°	0.40
140061280	LEDSpotRA HQ2 8W-Dim-4000-40D-AL-IP44	Halogen 50W	8	600	75	4000	40°	0.40

See appendix 1 for dimmer compatibility list

Technical Specifications	
Lifespan (L70B50)	50,000 h
Lifespan (L80B50)	30,000 h
On-/Off-cycles	100,000
Colour consistency (SDCM)	4
Dimmable	Yes (Triac)
Maximum tilt angle	23°
Finishing	White RAL9003 / Brushed Aluminum RAL 9022
Colour rendering index CRI	≥ 80
UGR	16
Degree of protection (IP)	IP20 / IP44
Impact strength	IK02
Protection class	II
Risk group	RG0
Control gear included	Yes
Glow wire test	650 °C
Driver failure rate (at 5,000 hrs)	1 %
Power factor	≥ 0.90

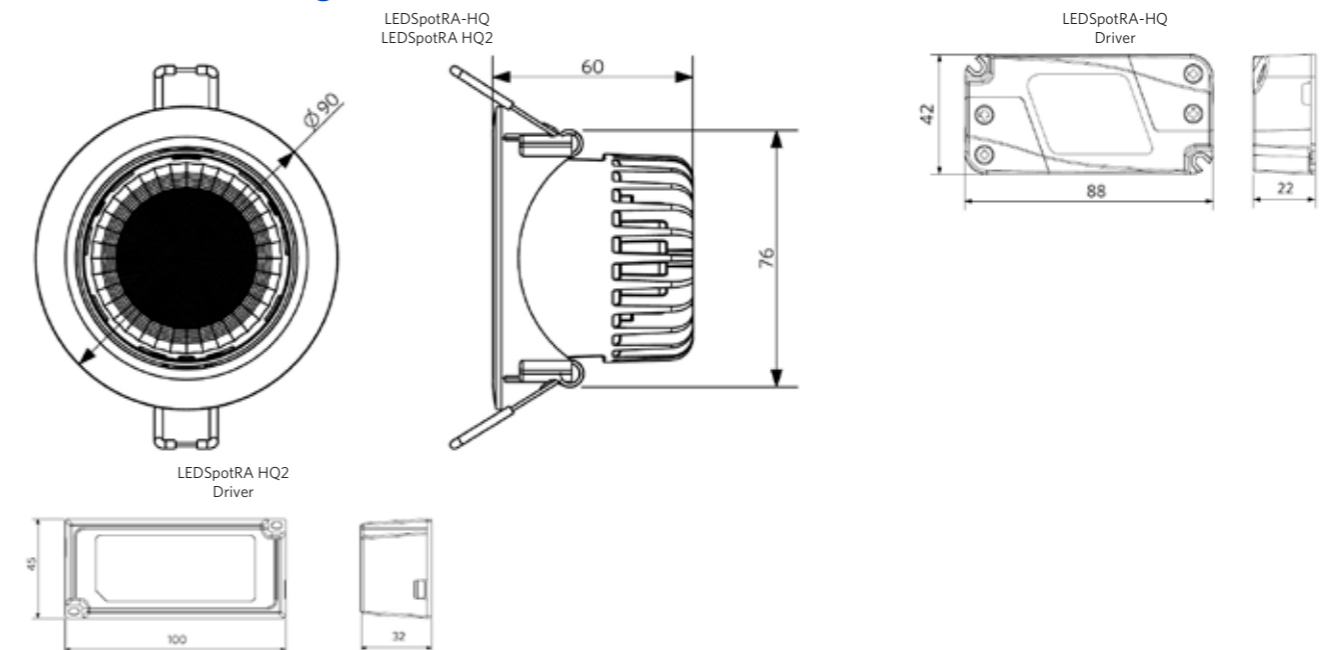
Electrical Supply	
Frequency	50/60 Hz
Nominal voltage	220-240 V AC
DC input voltage	Yes, see Appendix 3

Mechanical Properties	
Material housing	Aluminum + Polycarbonate
Optical material	Polycarbonate

Ambient Conditions	
Operating temperature	-10 - 40 °C
Application temperature	25 °C
Storage environment	-25 - 50 °C



## Dimensional Drawing (mm)



## Installation Opening Drawing (mm)





LED Recessed Spot Ava

- Energy saving up to 80% in comparison to a traditional light source
- Tilttable, also for IP44 versions
- Beam angle of 30° creates a perfect accent light
- Warm white light (2700K)
- Available in matte white (MW) and brushed aluminium (BA) finishes



Specifications

Item Code	Item Description	Equivalent to (W)	Power (W)	Lumen	Efficacy (lm/W)	CCT (K)	Beam angle	Energy Level	Weight (kg/pc)
140049619	LED HRS 7W Dim 2700K 30D Ava MW CT	Halogen 35W	7	310	44	2700	30 °	A	0.20
140049621	LED HRS 7W Dim 2700K 30D Ava BA CT	Halogen 35W	7	310	44	2700	30 °	A	0.20
140049625	LED HRS 9W Dim 2700K 30D Ava MW CT	Halogen 50W	9	430	47	2700	30 °	A	0.29
140049627	LED HRS 9W Dim 2700K 30D Ava BA CT	Halogen 50W	9	430	47	2700	30 °	A	0.29
140058060	LED HRS 7W Dim 2700K 30D Ava IP44 BA	Halogen 35W	7	330	50	2700	30 °	A	0.34
140058061	LED HRS 7W Dim 2700K 30D Ava IP44 MW	Halogen 35W	7	330	50	2700	30 °	A	0.34

See appendix 1 for dimmer compatibility list

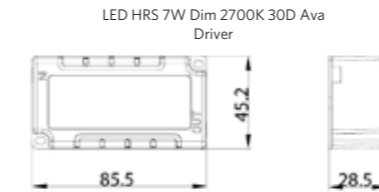
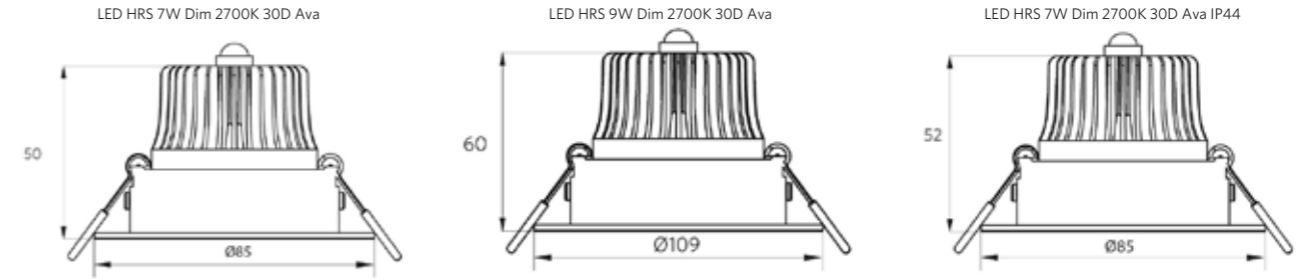
Technical Specifications	
Lifespan (L70B50)	30,000 h
Lifespan (L80B50)	20,000 h
On-/Off-cycles	50,000
Dimmable	Yes (Triac)
Maximum tilt angle	25 °
Finishing	Brushed Aluminum / Matte white
Colour rendering index CRI	≥ 80
Degree of protection (IP)	IP20 / IP44
Protection class	II
Control gear included	Yes

Electrical Supply	
Frequency	50/60 Hz
Nominal voltage	220-240 V AC
DC input voltage	No

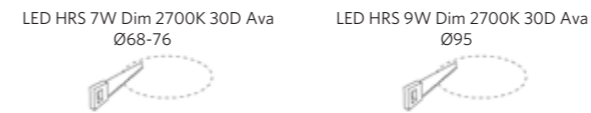
Ambient Conditions	
Operating temperature	-20 - 40 °C
Application temperature	25 °C
Storage environment	-25 - 50 °C



Dimensional Drawing (mm)



Installation Opening Drawing (mm)







LED Spot EcoMax

- Fixed spotlight range with universal 68 mm cut-out
- Direct replacement for majority of halogen spotlights
- Over 85% savings of energy costs compared to halogen 35W and 50W
- Available in matte white and brushed aluminium finishes
- Can be used in e.g. bathrooms and related environments



Specifications

Item Code	Item Description	Equivalent to (W)	Power (W)	Lumen	Efficacy (lm/W)	CCT (K)	Beam angle	Weight (kg/pc)
140054076	LEDspotRF-E 4.5W-2700-36D-AL-CT	Halogen 35W	4.5	330	73	2700	36 °	0.08
140054077	LEDspotRF-E 4.5W-4000-36D-AL-CT	Halogen 35W	4.5	350	78	4000	36 °	0.08
140054078	LEDspotRF-E 4.5W-2700-36D-WH-CT	Halogen 35W	4.5	330	73	2700	36 °	0.08
140054079	LEDspotRF-E 4.5W-4000-36D-WH-CT	Halogen 35W	4.5	350	78	4000	36 °	0.08
140055457	LEDspotRF-E 7W-2700-36D-AL	Halogen 50W	7	510	73	2700	36 °	0.08
140055458	LEDspotRF-E 7W-4000-36D-AL	Halogen 50W	7	530	76	4000	36 °	0.08
140055459	LEDspotRF-E 7W-2700-36D-WH	Halogen 50W	7	510	73	2700	36 °	0.08
140055460	LEDspotRF-E 7W-4000-36D-WH	Halogen 50W	7	530	76	4000	36 °	0.08

Technical Specifications	
Lifespan (L70B50)	30,000 h
Lifespan (L80B50)	20,000 h
On-/Off-cycles	100,000
Colour consistency (SDCM)	4
Dimmable	No
Finishing	Brushed aluminum front, matte black back / Matte white
Colour rendering index CRI	≥ 80
Degree of protection (IP)	IP44
IP recessed part	IP20
Impact strength	IK02
Protection class	II
Risk group	RG0
Control gear included	Yes
Glow wire test	850 °C
Driver failure rate (at 5,000 hrs)	1 %
Power factor	≥ 0.90

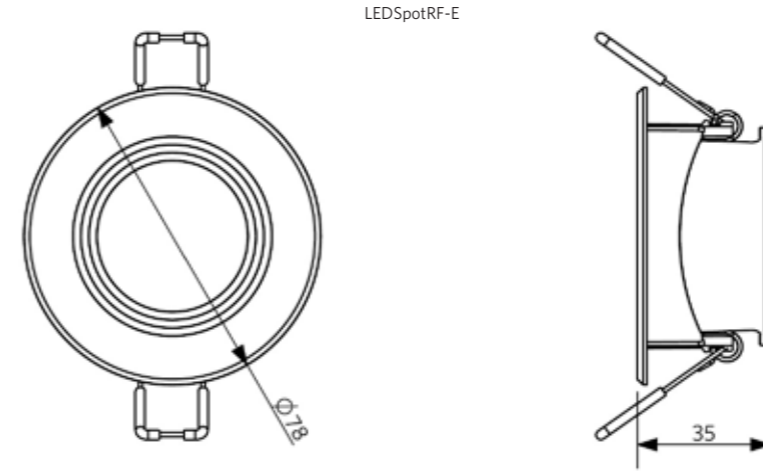
Electrical Supply	
Frequency	50/60 Hz
Nominal voltage	220-240 V AC
DC input voltage	Yes, see Appendix 3

Mechanical Properties	
Material housing	Aluminium
Optical material	Polycarbonate

Ambient Conditions	
Operating temperature	-25 - 40 °C
Application temperature	25 °C
Storage environment	-25 - 50 °C



Dimensional Drawing (mm)



Installation Opening Drawing (mm)





LED Ceiling Light Apollo

- NEW: bracket accessory for easy mounting on existing installations (no new screw holes needed)
- Easy installation on wall or ceiling
- Exchangeable LED Module Clio inside
- Uniform, diffused light, creating a pleasant atmosphere
- IP44 versions also suitable for bathrooms and comparable spaces
- Energy saving up to 80% in comparison to a traditional light source
- Sensor (motion + daylight) available as accessory



Specifications

Item Code	Item Description	Equivalent to (W)	Power (W)	Lumen	Efficacy (lm/W)	CCT (K)	Energy Level	Weight (kg/pc)
520020000100	LED HC300 12W 2700K Apollo III	GLS 75W	12	1000	83	2700	A+	0.43
520020000200	LED HC300 12W 4000K Apollo III	GLS 75W	12	1100	91	4000	A+	0.43
520021000300	LED HC350 16W 2700K IP44 Apollo III	GLS 100W	16	1300	81	2700	A+	0.59
520021000400	LED HC350 16W 4000K IP44 Apollo III	GLS 100W	16	1400	87	4000	A+	0.59
520021000700	LED HC350 22W DIM 2700K IP44 Apollo	GLS 100W	22	1500	68	2700	A+	0.59
520021000800	LED HC350 22W DIM 4000K IP44 Apollo	GLS 100W	22	1600	73	4000	A+	0.59

See appendix 1 for dimmer compatibility list

Accessories



140060553  
LED Module sensor CT



520098000200  
LED Apollo HC300 bracket



520098001800  
LED Apollo HC350 bracket

Sensor only compatible with 12W and 16W versions. Sensor range 12m.

Technical Specifications	
Lifespan (L70B50)	30,000 h
Lifespan (L80B50)	20,000 h
On-/Off-cycles	100,000
Dimmable	No / Yes (DIM)
Beam angle	120 °
Finishing	White RAL9003
Colour rendering index CRI	≥ 80
Degree of protection (IP)	IP20 / IP44
Protection class	I
Risk group	RG0
Control gear included	Yes

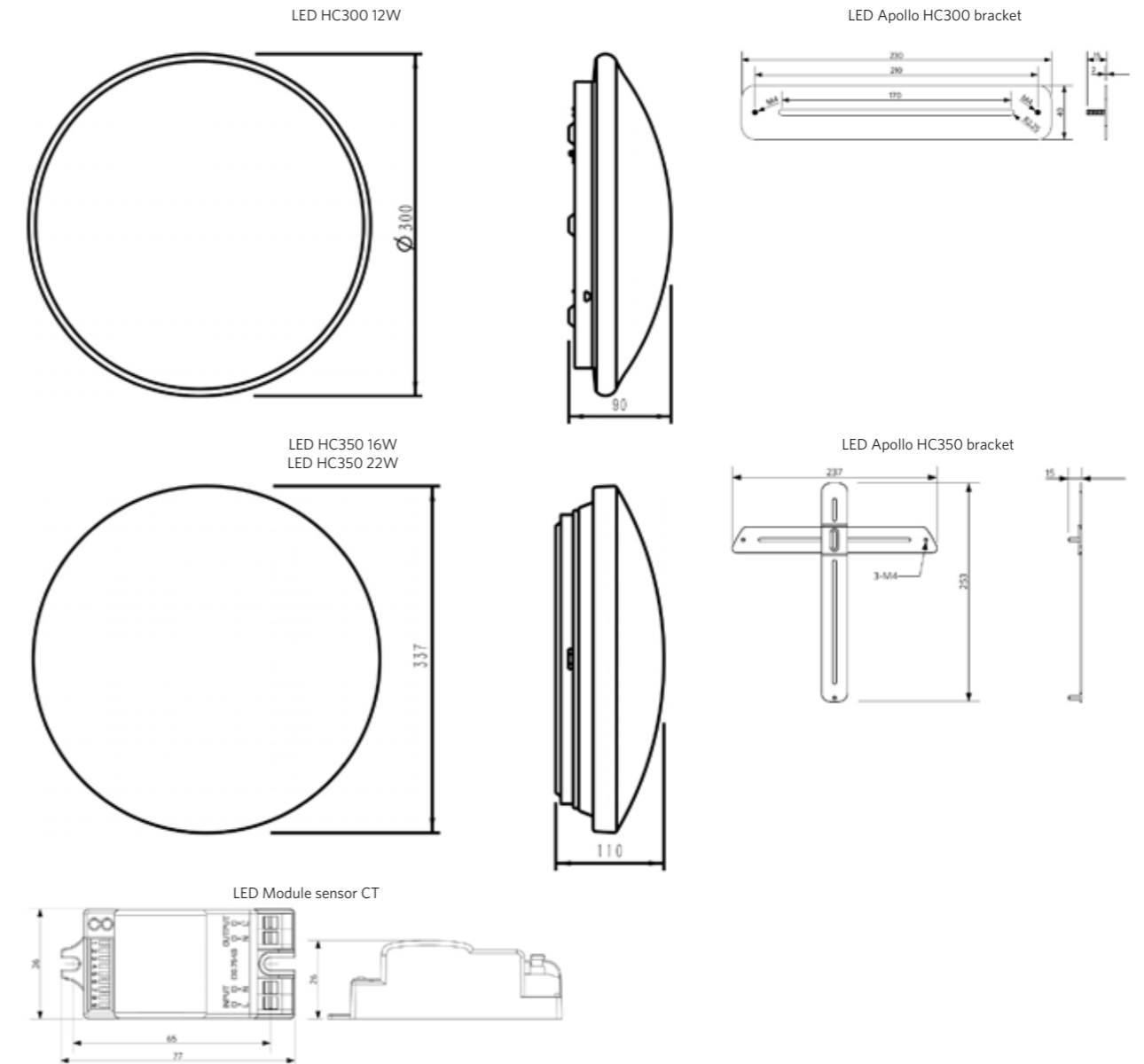
Electrical Supply	
Frequency	50/60 Hz
Nominal voltage	220-240 V AC
DC input voltage	No

Mechanical Properties	
Material housing	Steel
Optical material	Polycarbonate

Ambient Conditions	
Operating temperature	-20 - 45 °C
Application temperature	25 °C
Storage environment	-25 - 50 °C



Dimensional Drawing (mm)



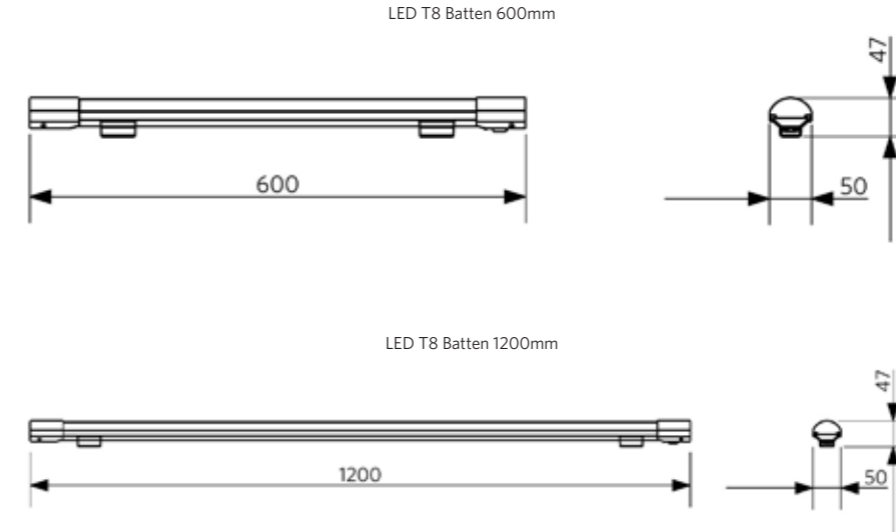


LED T8 Batten

- High lumen efficiency up to 105 lm/w
- Delivered with clips for surface mounted installation
- Suspension possible with separate accessory kit
- Mechanically connect multiple luminaires via connector accessory
- Energy saving up to 55%



Dimensional Drawing (mm)



Specifications

Item Code	Item Description	Equivalent to (W)	Power (W)	Lumen	Efficacy (lm/W)	CCT (K)	Weight (kg/pc)
140063301	LED T8 Batten 600mm 19W 3000K CT	TL 2x18W	19	1800	95	3000	0.29
140063302	LED T8 Batten 600mm 19W 4000K CT	TL 2x18W	19	1900	100	4000	0.29
140063303	LED T8 Batten 600mm 19W 6500K CT	TL 2x18W	19	1900	100	6500	0.29
140063304	LED T8 Batten 1200mm 38W 3000K CT	TL 2x36W	38	3800	100	3000	0.47
140063305	LED T8 Batten 1200mm 38W 4000K CT	TL 2x36W	38	4000	105	4000	0.47
140063306	LED T8 Batten 1200mm 38W 6500K CT	TL 2x36W	38	4000	105	6500	0.47

Accessories



140063307  
LED T8 Batten connector

140063308  
LED T8 Batten suspension Kit

Technical Specifications	
Lifespan (L70B50)	30,000 h
Lifespan (L80B50)	20,000 h
On-/Off-cycles	100,000
Dimmable	No
Beam angle	120 °
Finishing	White
Colour rendering index CRI	≥ 80
Degree of protection (IP)	IP20
Impact strength	IK02
Protection class	I
Risk group	RG0
Control gear included	Yes
Power factor	≥ 0.90

Electrical Supply	
Frequency	50/60 Hz
Nominal voltage	220-240 V AC
DC input voltage	No
Mechanical Properties	
Material housing	Aluminium
Ambient Conditions	
Operating temperature	-10 - 40 °C
Application temperature	25 °C
Storage environment	-25 - 50 °C





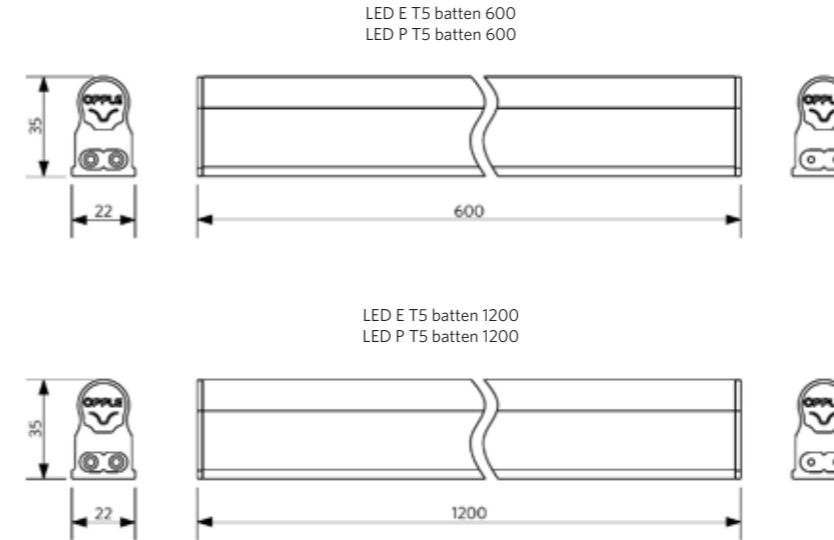


LED T5 Batten EcoMax

- Uniform, diffused light, creating a pleasant atmosphere
- Trailing edge dimmable
- Up to 50% lower energy consumption
- Battens connect up to 15 meters
- Incl. power cable, mounting and connection pieces (fixed and flexible)
- With transparent end caps



Dimensional Drawing (mm)



Specifications

Item Code	Item Description	Equivalent to (W)	Power (W)	Lumen	Efficacy (lm/W)	CCT (K)	Energy Level	Weight (kg/pc)
140043898	LED E T5 batten 600 9W 800lm 3000K CT	TL 1x18W	9	800	89	3000	A+	0.14
140043899	LED E T5 batten 600 9W 800lm 4000K CT	TL 1x18W	9	800	89	4000	A+	0.14
140043900	LED E T5 batten 1200 18W 1600lm 3000K CT	TL 1x36W	18	1600	89	3000	A+	0.24
140043901	LED E T5 batten 1200 18W 1600lm 4000K CT	TL 1x36W	18	1600	89	4000	A+	0.24
140062784	LED P T5 batten 600 9W DIM 3000K CT	TL 1x18W	9	1000	111	3000	A+	0.29
140062783	LED P T5 batten 600 9W DIM 4000K CT	TL 1x18W	9	1000	111	4000	A+	0.29
140062786	LED P T5 batten 1200 18W DIM 3000K CT	TL 1x36W	18	2000	111	3000	A+	0.41
140062785	LED P T5 batten 1200 18W DIM 4000K CT	TL 1x36W	18	2000	111	4000	A+	0.41

See appendix 1 for dimmer compatibility list.

Technical Specifications	
Lifespan (L70B50)	40,000 h
Lifespan (L80B50)	30,000 h
On-/Off-cycles	100,000
Dimmable	No / Yes (DIM)
Beam angle	140 °
Finishing	White
Colour rendering index CRI	≥ 80
Degree of protection (IP)	IP20
Protection class	II
Risk group	RGO
Control gear included	Yes
Power factor	≥ 0.90

Electrical Supply	
Frequency	50/60 Hz
Nominal voltage	220-240 V AC
DC input voltage	No

Mechanical Properties	
Material housing	Polycarbonate (PC)

Ambient Conditions	
Operating temperature	-20 - 40 °C
Application temperature	25 °C
Storage environment	-25 - 50 °C





LED T5 Batten S with switch

- Uniform, diffused light, creating a pleasant atmosphere
- Available in 300, 600, 900 and 1200 mm
- Battens connect up to 15 meters
- Incl. power cable, mounting and connection pieces (fixed and flexible)
- Including integrated switch
- Energy saving up to 50%

Specifications

Item Code	Item Description	Equivalent to (W)	Power (W)	Lumen	Efficacy (lm/W)	CCT (K)	Energy Level	Weight (kg/pc)
140043904	LED E T5 batten 300 4.5W S 3000K BL	TL 1x9W	4.5	400	89	3000	A+	0.08
140044077	LED E T5 batten 300 4.5W S 4000K BL	TL 1x9W	4.5	400	89	4000	A+	0.08
140043903	LED E T5 batten 600 9W S 3000K BL	TL 1x18W	9	800	89	3000	A+	0.14
140044076	LED E T5 batten 600 9W S 4000K BL	TL 1x18W	9	800	89	4000	A+	0.14
140043902	LED E T5 batten 900 11W S 3000K BL	TL 1x18W	11	950	86	3000	A+	0.19
140044075	LED E T5 batten 900 11W S 4000K BL	TL 1x18W	11	950	86	4000	A+	0.19
140044293	LED E T5 batten 1200 13W S 3000K BL	TL 1x30W	13	1200	92	3000	A+	0.25
140044292	LED E T5 batten 1200 13W S 4000K BL	TL 1x30W	13	1200	92	4000	A+	0.25

Technical Specifications	
Lifespan (L70B50)	40,000 h
Lifespan (L80B50)	30,000 h
On-/Off-cycles	100,000
Dimmable	No
Beam angle	140 °
Finishing	White
Colour rendering index CRI	≥ 80
Degree of protection (IP)	IP20
Protection class	II
Risk group	RG0
Control gear included	Yes
Power factor	≥ 0.90

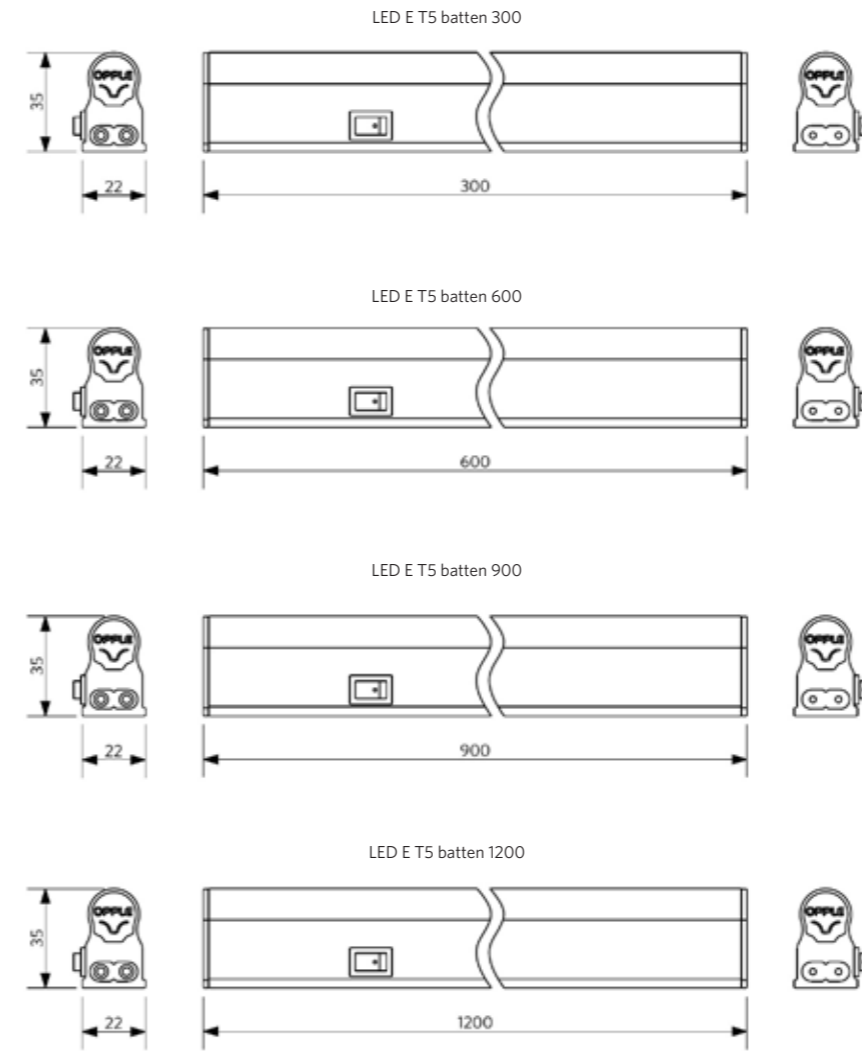
Electrical Supply	
Frequency	50/60 Hz
Nominal voltage	220-240 V AC
DC input voltage	No

Mechanical Properties	
Material housing	Polycarbonate (PC)

Ambient Conditions	
Operating temperature	-20 - 40 °C
Application temperature	25 °C
Storage environment	-25 - 50 °C



Dimensional Drawing (mm)





- Stylish solution for medium high ceilings in retail and industry
- High efficacy up to 100lm/W
- Up to 50% energy saving compared to HID solutions
- Multiple beam angles available



## Specifications

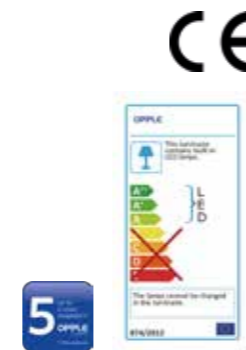
Item Code	Item Description	Equivalent to (W)	Power (W)	Lumen	Efficacy (lm/W)	CCT (K)	Beam angle	Weight (kg/pc)
545002000600	LEDLowbay-E 30W-4000-60D	CFL 2x26W	30	3000	100	4000	60 °	0.54
545002000500	LEDLowbay-E 30W-4000-120D	CFL 2x26W	30	3000	100	4000	120 °	0.65
545002000400	LEDLowbay-E 50W-4000-60D	HID 70W	50	5000	100	4000	60 °	1.03
545002000300	LEDLowbay-E 50W-4000-120D	HID 70W	50	5000	100	4000	120 °	1.14
545002000200	LEDLowbay-E 80W-4000-60D	HID 100W	80	7200	90	4000	60 °	1.70
545002000100	LEDLowbay-E 80W-4000-90D	HID 100W	80	8000	100	4000	90 °	1.70

Technical Specifications	
Lifespan (L70B50)	60,000 h
Lifespan (L80B50)	40,000 h
On-/Off-cycles	100,000
Colour consistency (SDCM)	4
Dimmable	No
Finishing	Silver
Colour rendering index CRI	≥ 80
Degree of protection (IP)	IP20
Impact strength	IK03
Protection class	I
Risk group	RG1
Control gear included	Yes
Glow wire test	650 °C
Driver failure rate (at 5,000 hrs)	1 %
Power factor	0.95

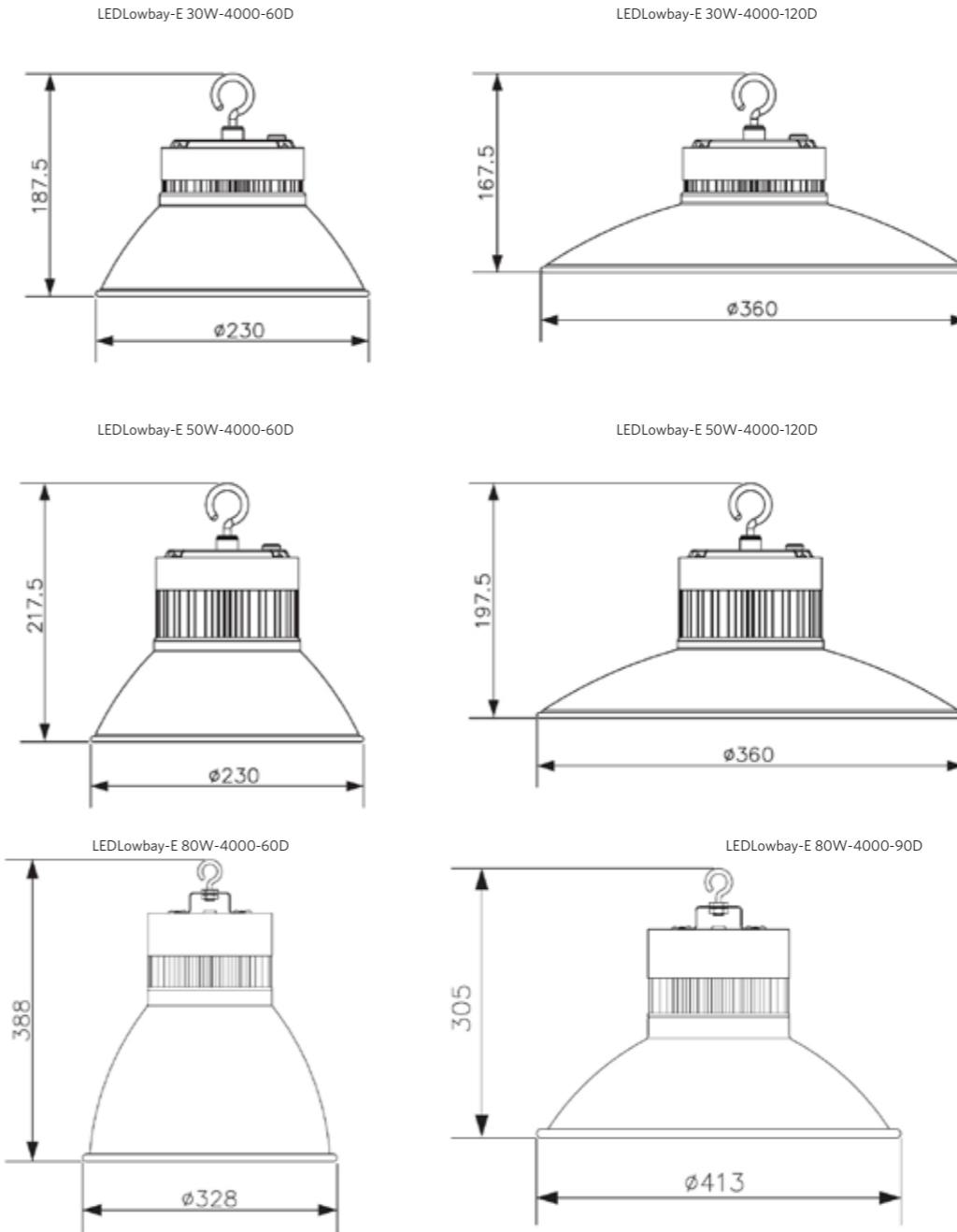
Electrical Supply	
Frequency	50/60 Hz
Nominal voltage	220-240 V AC
DC input voltage	Yes, see Appendix 3

Mechanical Properties	
Material housing	Aluminium
Optical material	Polycarbonate

Ambient Conditions	
Operating temperature	-20 - 45 °C
Application temperature	25 °C
Storage environment	-30 - 50 °C



## Dimensional Drawing (mm)







LED Highbay Performer G4

- NEW: 80W and 115W version available
- NEW: 5700K version available for 155W and 230W
- Advanced ultra slim design
- Equipped with DALI 2.0 to ensure high compatibility
- Up to 40% weight reduction compared to Highbay Performer G3
- Multiple beam angles and DALI versions available
- Equipped with IP68 connector
- Fit for surface mounting using the bracket accessory



Specifications

Item Code	Item Description	Equivalent to (W)	Power (W)	Lumen	Efficacy (lm/W)	CCT (K)	Beam angle	Weight (kg/pc)
545001002500	LEDHighbay-P4 80W-4000-50D	HID 250W	80	10400	130	4000	50 °	2.00
545001002600	LEDHighbay-P4 80W-4000-95D	HID 250W	80	10400	130	4000	95 °	2.00
545001002700	LEDHighbay-P4 80W-4000-50x95D	HID 250W	80	10400	130	4000	50 ° x 95 °	2.00
545001003100	LEDHighbay-P4 115W-4000-50D	HID 400W	115	15000	130	4000	50 °	2.00
545001003200	LEDHighbay-P4 115W-4000-95D	HID 400W	115	15000	130	4000	95 °	2.00
545001003300	LEDHighbay-P4 115W-4000-50x95D	HID 400W	115	15000	130	4000	50 ° x 95 °	2.00
545001001100	LEDHighbay-P4 155W-4000-60D	HID 400W	155	20000	130	4000	60 °	3.10
545001001200	LEDHighbay-P4 155W-4000-100D	HID 400W	155	20000	130	4000	100 °	3.10
545001003700	LEDHighbay-P4 155W-4000-60x100D	HID 400W	155	20000	130	4000	60 ° x 100 °	3.10
545001001000	LEDHighbay-P4 230W-4000-60D	HID 600W	230	30000	130	4000	60 °	3.10
545001000900	LEDHighbay-P4 230W-4000-100D	HID 600W	230	30000	130	4000	100 °	3.10
545001003900	LEDHighbay-P4 230W-4000-60x100D	HID 600W	230	30000	130	4000	60 ° x 100 °	3.10
545001002800	LEDHighbay-P4 80W-DALI-4000-50D	HID 250W	80	10400	130	4000	50 °	2.10
545001002900	LEDHighbay-P4 80W-DALI-4000-95D	HID 250W	80	10400	130	4000	95 °	2.10
545001003000	LEDHighbay-P4 80W-DALI-4000-50x95D	HID 250W	80	10400	130	4000	50 ° x 95 °	2.10
545001003400	LEDHighbay-P4 115W-DALI-4000-50D	HID 400W	115	15000	130	4000	50 °	2.10
545001003500	LEDHighbay-P4 115W-DALI-4000-95D	HID 400W	115	15000	130	4000	95 °	2.10
545001003600	LEDHighbay-P4 115W-DALI-4000-50x95D	HID 400W	115	15000	130	4000	50 ° x 95 °	2.10
545001001300	LEDHighbay-P4 155W-DALI-4000-60D	HID 400W	155	20000	130	4000	60 °	3.20
545001001400	LEDHighbay-P4 155W-DALI-4000-100D	HID 400W	155	20000	130	4000	100 °	3.20
545001003800	LEDHighbay-P4 155W-DALI-4000-60x100D	HID 400W	155	20000	130	4000	60 ° x 100 °	3.20
545001001500	LEDHighbay-P4 230W-DALI-4000-60D	HID 600W	230	30000	130	4000	60 °	3.20
545001001600	LEDHighbay-P4 230W-DALI-4000-100D	HID 600W	230	30000	130	4000	100 °	3.20
545001004000	LEDHighbay-P4 230W-DALI-4000-60x100D	HID 600W	230	30000	130	4000	60 ° x 100 °	3.20
545001012400	LEDHighbay-P4 155W-5700-100D	HID 400W	155	20000	130	5700	100 °	3.10
545001012300	LEDHighbay-P4 230W-5700-100D	HID 600W	230	30000	130	5700	100 °	3.10

For 5700K versions: other beam angles are available on request\*

Accessories



545098000600  
LEDHighbay-P4 Bracket-D420  
545098000500  
LEDHighbay-P4 Bracket-D330

140044049  
LEDHighbay-POLE-CT

Highbay Pole must be used in combination with Highbay Bracket.

Technical Specifications

Lifespan (L70B50)	70,000 h
Lifespan (L80B50)	50,000 h
On-/Off-cycles	100,000
Colour consistency (SDCM)	4
Dimmable	No / Yes (DALI)
Finishing	Grey 417U
Colour rendering index CRI	≥ 80
Degree of protection (IP)	IP66
Impact strength	IK08
Protection class	I
Risk group	RG1
Control gear included	Yes
Glow wire test	850 °C
Driver failure rate (at 5,000 hrs)	1 %
Power factor	≥ 0.90
Surge protection	4 kV

Electrical Supply

Frequency	50/60 Hz
Nominal voltage	220-240 V AC
DC input voltage	Yes, see Appendix 3

Mechanical Properties

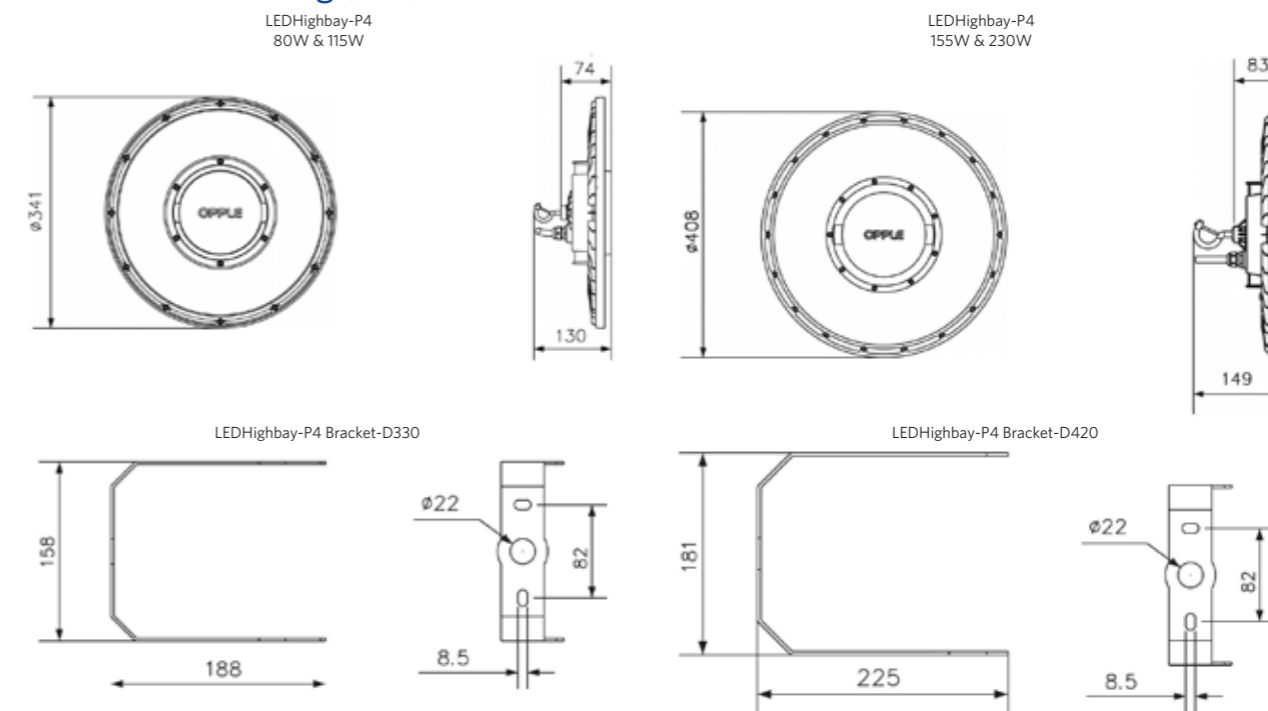
Material housing	Aluminium
Optical material	Polycarbonate
Cover material	Polycarbonate

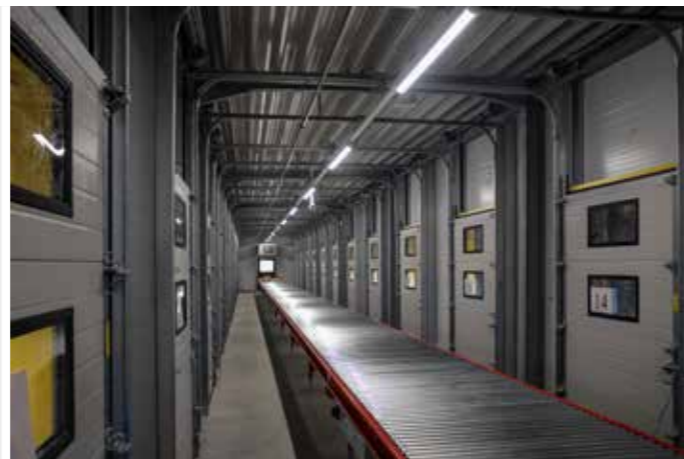
Ambient Conditions

Operating temperature	-25 - 50 °C
Application temperature	25 °C
Storage environment	-25 - 50 °C



Dimensional Drawing (mm)





## LED Waterproof Performer G2

- NEW: available as Smart Lighting solution (BLE)
- Waterproof luminaire with high efficacy up to 130 lm/W
- Available in 3 lengths and 8 lumen packages
- Up to 60% lower energy consumption compared to traditional TL lighting
- Equipped with 2.5mm<sup>2</sup> through-wiring
- Specific "sealed for life" design
- Quick installation with through wiring
- Supplied with stainless steel ceiling and suspension clips



## Specifications

Item Code	Item Description	Equivalent to (W)	Power (W)	Lumen	Efficacy (lm/W)	CCT (K)	Weight (kg/pc)
140057864	LEDWaterproof-P2 L653-12.5W-4000	TL 1x18W	12.5	1375	110	4000	0.89
140057865	LEDWaterproof-P2 L653-23W-4000	TL 2x18W	23	2530	110	4000	0.93
140057866	LEDWaterproof-P2 L1263-23W-4000	TL 1x36W	23	2530	110	4000	1.44
140057867	LEDWaterproof-P2 L1263-40W-4000	TL 2x36W	40	4400	110	4000	1.47
140057868	LEDWaterproof-P2 L1563-27W-4000	TL 1x58W	27	2970	110	4000	1.71
140057869	LEDWaterproof-P2 L1563-51W-4000	TL 2x58W	51	5610	110	4000	1.73
140058166	LEDWaterproof-P2 L1563-51W-6500	TL 2x58W	51	5610	110	6500	1.73
543022000200	LEDWaterproof-P2 L1563-75W-4000	TL 2x80W	75	9375	125	4000	1.73
543022000100	LEDWaterproof-P2 L1563-90W-4000	2x TLM 140W RS	90	11700	130	4000	1.73
140057870	LEDWaterproof-P2 L653-13W-DALI-4000	TL 1x18W	13	1430	110	4000	0.89
140057871	LEDWaterproof-P2 L653-24W-DALI-4000	TL 2x18W	24	2640	110	4000	0.93
140057872	LEDWaterproof-P2 L1263-24W-DALI-4000	TL 1x36W	24	2640	110	4000	1.80
140057873	LEDWaterproof-P2 L1263-45W-DALI-4000	TL 2x36W	45	4950	110	4000	1.80
140057874	LEDWaterproof-P2 L1563-28W-DALI-4000	TL 1x58W	28	3080	110	4000	2.21
140057875	LEDWaterproof-P2 L1563-55W-DALI-4000	TL 2x58W	55	6050	110	4000	2.21
140058167	LEDWaterproof-P2 L1563-55W-DALI-6500	TL 2x58W	55	6050	110	6500	2.21
543022010600	LEDWaterproof-P2 L1263-45W-4000-BLE	TL 2x36W	45	4950	110	4000	1.80
543022010000	LEDWaterproof-P2 L1563-28W-4000-BLE	TL 1x58W	28	3080	110	4000	2.21
543022009900	LEDWaterproof-P2 L1563-55W-4000-BLE	TL 2x58W	55	6050	110	4000	2.21

Emergency lighting available on request (not for 90W)  
Available on request with 3- or 5- pole Wieland GST18i connector

Technical Specifications	
Lifespan (L70B50)	70,000 h
Lifespan (L80B50)	50,000 h
On-/Off-cycles	100,000
Colour consistency (SDCM)	4
Dimmable	No / Yes (DALI/BLE)
Beam angle	110 °
Finishing	Grey RAL 7035
Colour rendering index CRI	≥ 80
Degree of protection (IP)	IP65
Impact strength	IK08
Protection class	I / II (75W & 90W)
Risk group	RG0
Control gear included	Yes
Glow wire test	850 °C
Driver failure rate (at 5,000 hrs)	0.5 %
Power factor	≥ 0.90

Electrical Supply	
Frequency	50/60 Hz
Nominal voltage	220-240 V AC
DC input voltage	Yes, see Appendix 3

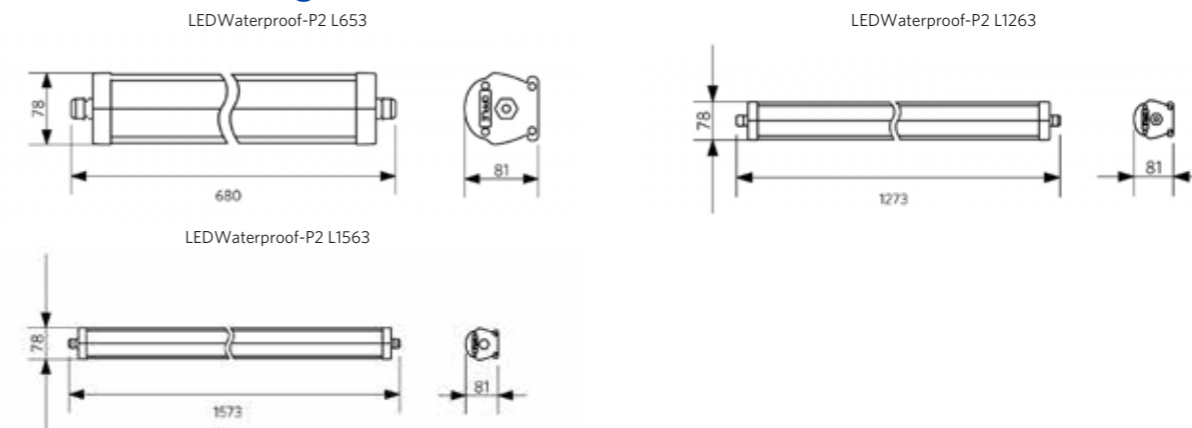
Mechanical Properties	
Material housing	Polycarbonate (PC)
Optical material	Polycarbonate
Ceiling clips	Stainless steel

Ambient Conditions	
Operating temperature	-20 - 40 °C
Application temperature	25 °C
Storage environment	-25 - 50 °C

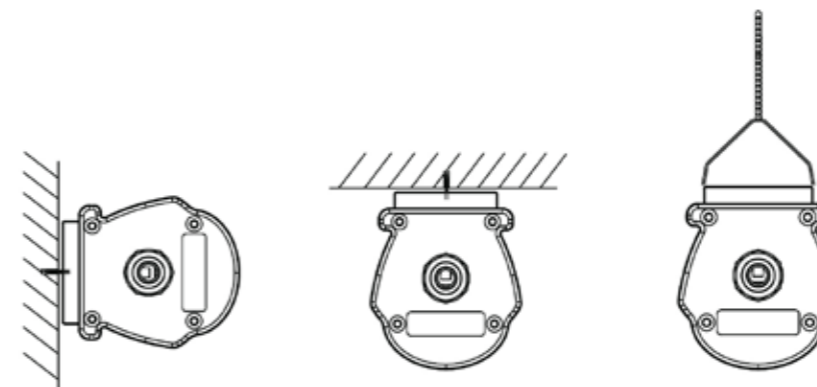


INDOOR

## Dimensional Drawing (mm)



## Installation Possibilities







## LED Waterproof EcoMax

- Equipped with 2.5mm<sup>2</sup> through-wiring
- Waterproof luminaire in "sealed-for-life" concept
- 3 lengths and 7 lumen packages, with efficacy up to 100 lm/W
- Quick installation with through wiring
- Up to 50% lower energy consumption compared to traditional TL lighting
- Supplied with stainless steel ceiling and suspension clips



## Specifications

Item Code	Item Description	Equivalent to (W)	Power (W)	Lumen	Efficacy (lm/W)	CCT (K)	Weight (kg/pc)
140057384	LEDWaterproof-E L650-10W-4000-FR	TL 1x18W	10	1000	100	4000	0.62
140057385	LEDWaterproof-E L650-23W-4000-FR	TL 2x18W	23	2100	90	4000	0.62
140057386	LEDWaterproof-E L1250-20W-4000-FR	TL 1x36W	20	2000	100	4000	1.12
140057387	LEDWaterproof-E L1250-43W-4000-FR	TL 2x36W	43	3900	90	4000	1.12
140057388	LEDWaterproof-E L1550-29W-4000-FR	TL 1x58W	29	2900	100	4000	1.16
140057389	LEDWaterproof-E L1550-57W-4000-FR	TL 2x58W	57	5200	90	4000	1.16
140058165	LEDWaterproof-E L1550-57W-6500-FR	TL 2x58W	57	5400	95	6500	1.16

Technical Specifications	
Lifespan (L70B50)	50,000 h
Lifespan (L80B50)	30,000 h
On-/Off-cycles	100,000
Colour consistency (SDCM)	4
Dimmable	No
Beam angle	110 °
Finishing	Grey 421C
Colour rendering index CRI	≥ 80
Degree of protection (IP)	IP65
Impact strength	IK08
Protection class	II
Risk group	RG0
Control gear included	Yes
Glow wire test	850 °C
Driver failure rate (at 5,000 hrs)	0.5 %
Power factor	≥ 0.90

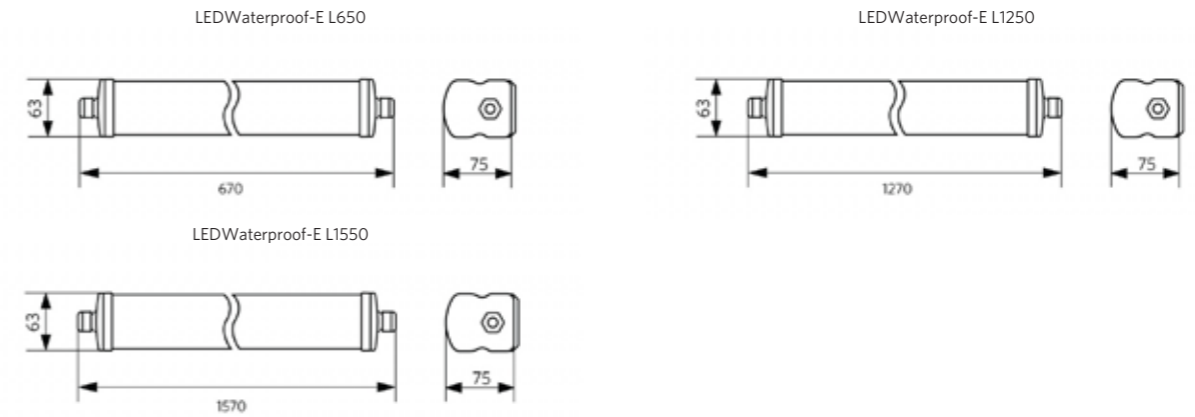
Electrical Supply	
Frequency	50/60 Hz
Nominal voltage	220-240 V AC
DC input voltage	Yes, see Appendix 3

Mechanical Properties	
Material housing	Polycarbonate (PC)
Optical material	Polycarbonate

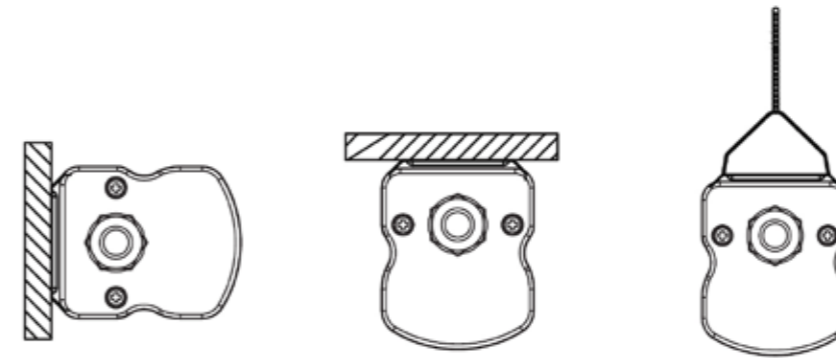
Ambient Conditions	
Operating temperature	-20 - 45 °C
Application temperature	25 °C
Storage environment	-25 - 50 °C



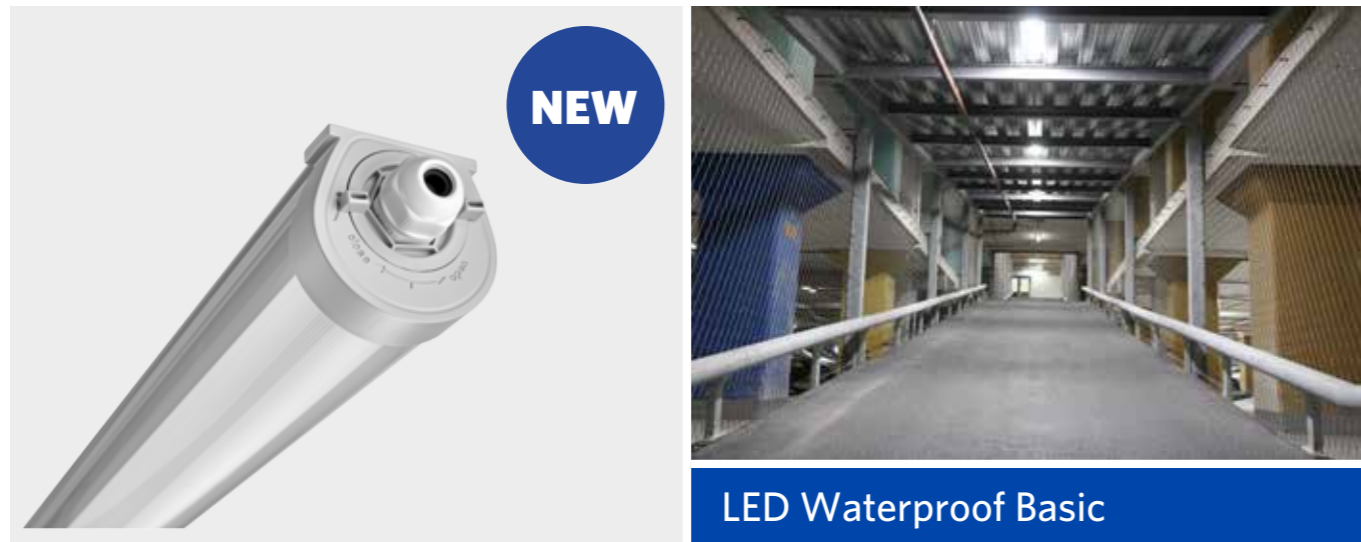
## Dimensional Drawing (mm)



## Installation Possibilities







LED Waterproof Basic

- Cost effective "sealed-for-life" waterproof luminaire
- Up to 60% lower energy consumption compared to traditional TL lighting
- Quick installation through the easy to open endcap
- Supplied with stainless steel ceiling and suspension clips



Specifications

Item Code	Item Description	Equivalent to (W)	Power (W)	Lumen	Efficacy (lm/W)	CCT (K)	Weight (kg/pc)
543022006400	LEDWaterproof-B L1167-36W-4000-FR	TL 2x36W	36	4000	110	4000	1.03
543022006500	LEDWaterproof-B L1448-50W-4000-FR	TL 2x58W	50	5500	110	4000	1.24

Technical Specifications	
Lifespan (L70B50)	30,000 h
On-/Off-cycles	100,000
Colour consistency (SDCM)	5
Dimmable	No
Beam angle	110 °
Finishing	Grey RAL 7035
Colour rendering index CRI	≥ 80
Degree of protection (IP)	IP65
Impact strength	IK08
Protection class	II
Risk group	RG0
Control gear included	Yes
Glow wire test	850 °C
Driver failure rate (at 5,000 hrs)	0.5 %
Power factor	≥ 0.90

Electrical Supply	
Frequency	50/60 Hz
Nominal voltage	220-240 V AC
DC input voltage	Yes, see Appendix 3

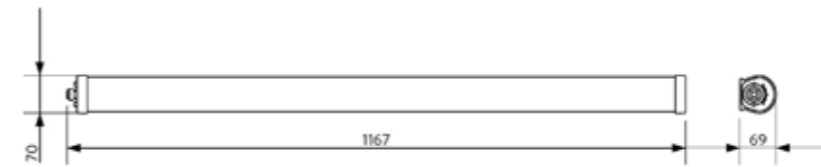
Mechanical Properties	
Material housing	Polycarbonate (PC)
Optical material	Polycarbonate

Ambient Conditions	
Operating temperature	-20 - 45 °C
Application temperature	25 °C
Storage environment	-25 - 50 °C

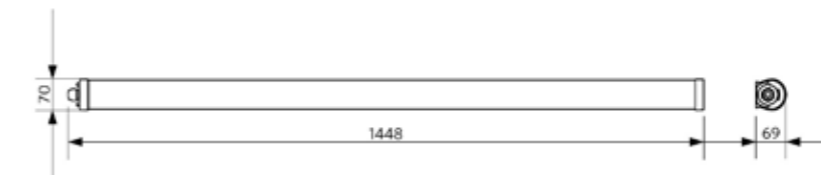


Dimensional Drawing (mm)

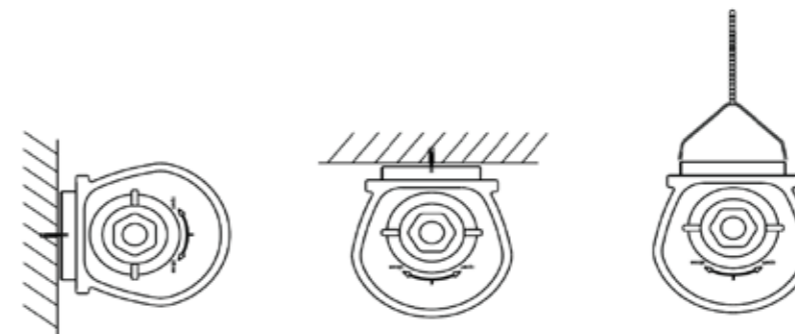
LEDWaterproof-B L1167-36W



LEDWaterproof-B L1448-50W



Installation Possibilities





LED Trunking

- NEW: 35W LED-modules available
- NEW: Feed-out box available
- Very high efficacy of 160 lm/W
- Simple installation with snap-in mounting of LED modules and trunks
- Huge energy saving up to 65% compared to conventional TL lighting
- Multiple beam angles and powers available
- Extra energy saving by using DALI dimmable LED modules and fully customizable DALI sensors



Specifications

Item Code	Item Description	Equivalent to (W)	Power (W)	Lumen	Efficacy (lm/W)	CCT (K)	Beam angle	Weight (kg/pc)
542005008200	LEDTrunking Module L15-35W-4000-120	TL 2x58W	35	5600	160	4000	120 °	1.64
542005006000	LEDTrunking Module L15-50W-4000-60	TL 2x80W	50	8000	160	4000	60 °	1.64
542005005900	LEDTrunking Module L15-50W-4000-90	TL 2x80W	50	8000	160	4000	90 °	1.64
542005005800	LEDTrunking Module L15-50W-4000-120	TL 2x80W	50	8000	160	4000	120 °	1.65
542005006100	LEDTrunking Module L15-50W-4000-BW	TL 2x80W	50	8000	160	4000	Batwing	1.64
542005006400	LEDTrunking Module L15-70W-4000-60	2x TLM 140W RS	70	11200	160	4000	60 °	1.71
542005006300	LEDTrunking Module L15-70W-4000-90	2x TLM 140W RS	70	11200	160	4000	90 °	1.71
542005006200	LEDTrunking Module L15-70W-4000-120	2x TLM 140W RS	70	11200	160	4000	120 °	1.72
542005006500	LEDTrunking Module L15-70W-4000-BW	2x TLM 140W RS	70	11200	160	4000	Batwing	1.71
542005008600	LEDTrunking Module L15-35W-4000-120-DALI	TL 2x58W	35	5600	160	4000	120 °	1.64
542005006800	LEDTrunking Module L15-50W-4000-60-DALI	TL 2x80W	50	8000	160	4000	60 °	1.64
542005006700	LEDTrunking Module L15-50W-4000-90-DALI	TL 2x80W	50	8000	160	4000	90 °	1.64
542005006600	LEDTrunking Module L15-50W-4000-120-DALI	TL 2x80W	50	8000	160	4000	120 °	1.65
542005006900	LEDTrunking Module L15-50W-4000-BW-DALI	TL 2x80W	50	8000	160	4000	Batwing	1.64
542005007200	LEDTrunking Module L15-70W-4000-60-DALI	2x TLM 140W RS	70	11200	160	4000	60 °	1.71
542005007100	LEDTrunking Module L15-70W-4000-90-DALI	2x TLM 140W RS	70	11200	160	4000	90 °	1.71
542005007000	LEDTrunking Module L15-70W-4000-120-DALI	2x TLM 140W RS	70	11200	160	4000	120 °	1.72
542005007300	LEDTrunking Module L15-70W-4000-BW-DALI	2x TLM 140W RS	70	11200	160	4000	Batwing	1.71
542098002100	LEDTrunking Trunk 8 L15							1.75
542098002200	LEDTrunking Trunk 8 L15 End Part							1.40
542098002300	LEDTrunking Trunk 8 L30							3.30
542098002400	LEDTrunking Trunk 8 L30 End Part							2.95

Emergency lighting available on request.  
 DALI versions are compatible with emergency lighting according to EN 50172.  
 For more technical information, see appendix 4.

Accessories



Technical Specifications

Lifespan (L70B50)	70,000 h
On-/Off-cycles	100,000
Dimmable	Yes (DALI)
Finishing	White
Colour rendering index CRI	≥ 80
Degree of protection (IP)	IP20
Impact strength	IK02
Protection class	I
Control gear included	Yes
Power factor	≥ 0.90

Electrical Supply

Frequency	50/60 Hz
Nominal voltage	220-240 V AC
DC input voltage	No

Mechanical Properties

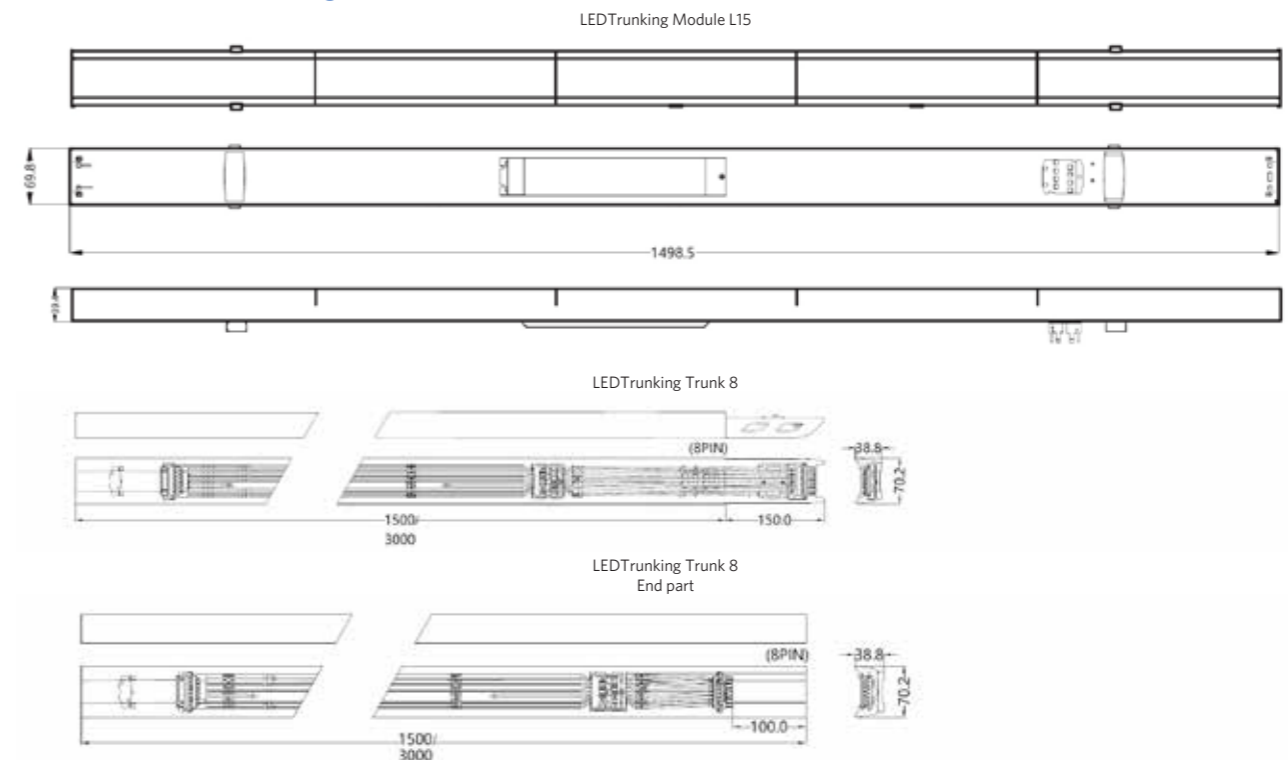
Material housing	Steel
------------------	-------

Ambient Conditions

Operating temperature	-10 - 40 °C
Application temperature	25 °C
Storage environment	-25 - 50 °C



Dimensional Drawing (mm)







**Smart** 12

**Indoor** 32

**Outdoor** 94

**Lamps & Accessories** 112

**Technical data** 134

**Index** 146

**Glossary** 154





LED Roadlight

- NEW: Available with step dimming or DALI dimming for increased energy savings
- Up to 60% energy saving compared to HID roadlights
- Advanced optical design optimized for road lighting
- Flexible and adjustable pole connector for both side entry and pole top mounting
- Robust die-cast aluminium body
- IP66 and coastline proof



Roadlight standard without pole adapter.

## Specifications

Item Code	Item Description	Equivalent to (W)	Power (W)	Lumen	Efficacy (lm/W)	CCT (K)	Weight (kg/pc)
543014005800	LEDRoadlight-90W-4000-DALI	HID 150W	90	11250	125	4000	9.00
543014005700	LEDRoadlight-120W-4000-DALI	HID 150W	120	15000	125	4000	9.20
543014005600	LEDRoadlight-150W-4000-DALI	HID 250W	150	18750	125	4000	9.20
543014005500	LEDRoadlight-200W-4000-DALI	HID 250W	200	24000	120	4000	9.40
543014015700	LEDRoadlight-90W-4000-STEP	HID 150W	90	11250	125	4000	9.00
543014015900	LEDRoadlight-120W-4000-STEP	HID 150W	120	15000	125	4000	9.20
543014015600	LEDRoadlight-150W-4000-STEP	HID 250W	150	18750	125	4000	9.20
543014015800	LEDRoadlight-200W-4000-STEP	HID 250W	200	24000	120	4000	9.40

## Accessories



543098007000  
Pole Adapter-Roadlight-60mm



599006051700  
Pole Adapter-Roadlight-76mm

For more technical information, see appendix 5.

### Technical Specifications

Lifespan (L70B50)	70,000 h
On-/Off-cycles	100,000
Colour consistency (SDCM)	6
Dimmable	Yes / Yes (DALI)
Beam angle	150 ° x 70 °
Maximum tilt angle	15 °
Finishing	Grey
Colour rendering index CRI	≥ 80
Degree of protection (IP)	IP66
Impact strength	IK08
Protection class	I
Control gear included	Yes
Glow wire test	850 °C
Driver failure rate (at 5,000 hrs)	0.5 %
Power factor	≥ 0.90
Surge protection	10 kV

### Electrical Supply

Frequency	50/60 Hz
Nominal voltage	220-240 V AC
DC input voltage	Yes, see Appendix 3

### Mechanical Properties

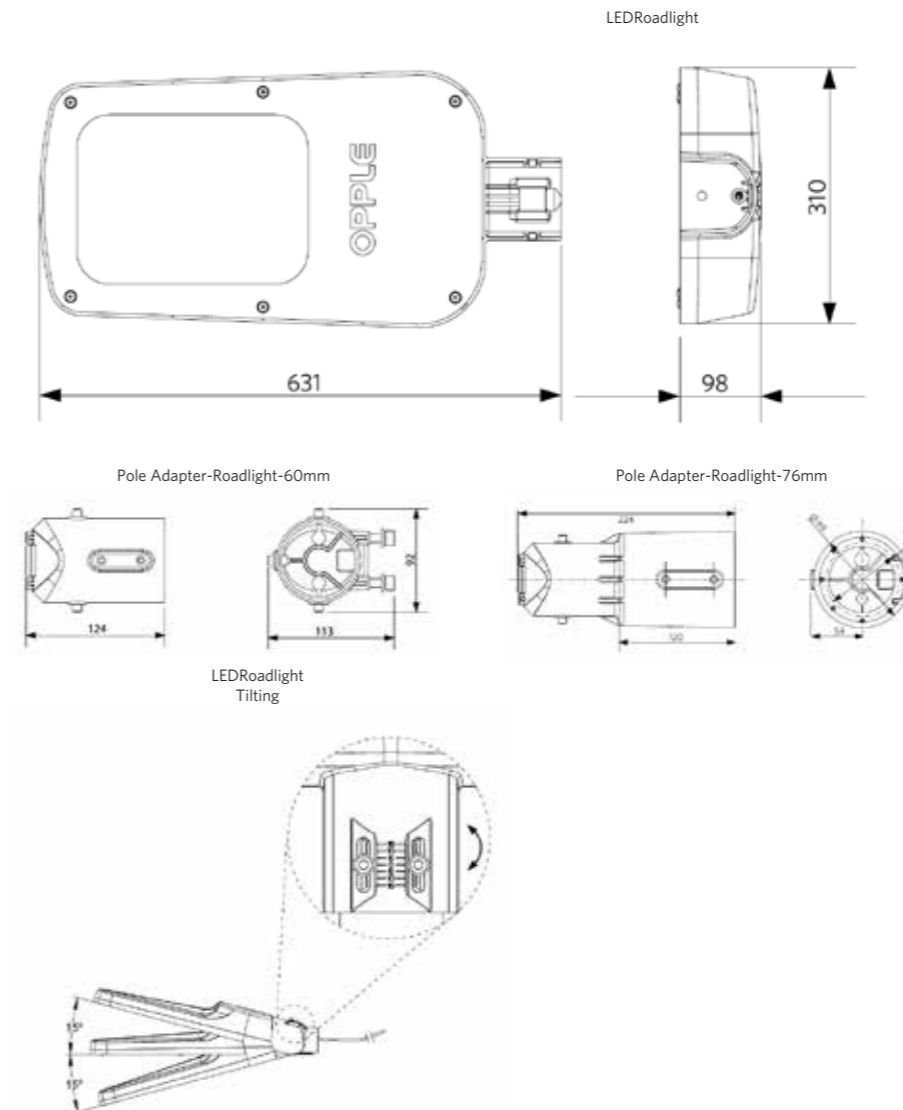
Material housing	Aluminium
Optical material	Polycarbonate
Compatible pole Ø	48-76 mm
Effective wind area	1478 cm <sup>2</sup>

### Ambient Conditions

Operating temperature	-30 - 50 °C
Application temperature	25 °C
Storage environment	-30 - 65 °C



## Dimensional Drawing (mm)





LED Streetlight

- Up to 60% energy saving compared to HID streetlight
- High efficacy up to 125 lm/W
- Low glare & precise optical design
- Accessories available for many pole types
- 6m extension cable available
- IP65 and suitable for use on the coast



## Specifications

Item Code	Item Description	Equivalent to (W)	Power (W)	Lumen	Efficacy (lm/W)	CCT (K)	Weight (kg/pc)
140065922	LEDStreetlight 20W-4000K-SE	HID 50W	20	2500	125	4000	1.25
140066385	LEDStreetlight 40W-4000K-SE	HID 70W	40	4600	115	4000	1.25
543014002700	LEDStreetlight 65W-4000K-SE	HID 100W	65	7475	115	4000	1.25

## Accessories



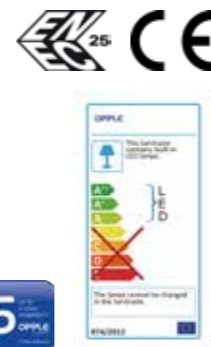
Technical Specifications	
Lifespan (L70B50)	70,000 h
Lifespan (L80B50)	50,000 h
On-/Off-cycles	100,000
Colour consistency (SDCM)	6
Dimmable	No
Beam angle	150 ° x 70 °
Finishing	Grey RAL 870-3
Colour rendering index CRI	≥ 80
Degree of protection (IP)	IP65
Impact strength	IK08
Protection class	I
Control gear included	Yes
Glow wire test	650 °C
Driver failure rate (at 5,000 hrs)	1 %
Power factor	0.95
Surge protection	4 kV

Electrical Supply	
Frequency	50/60 Hz
Nominal voltage	220-240 V AC
DC input voltage	No

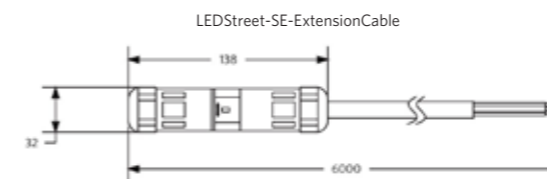
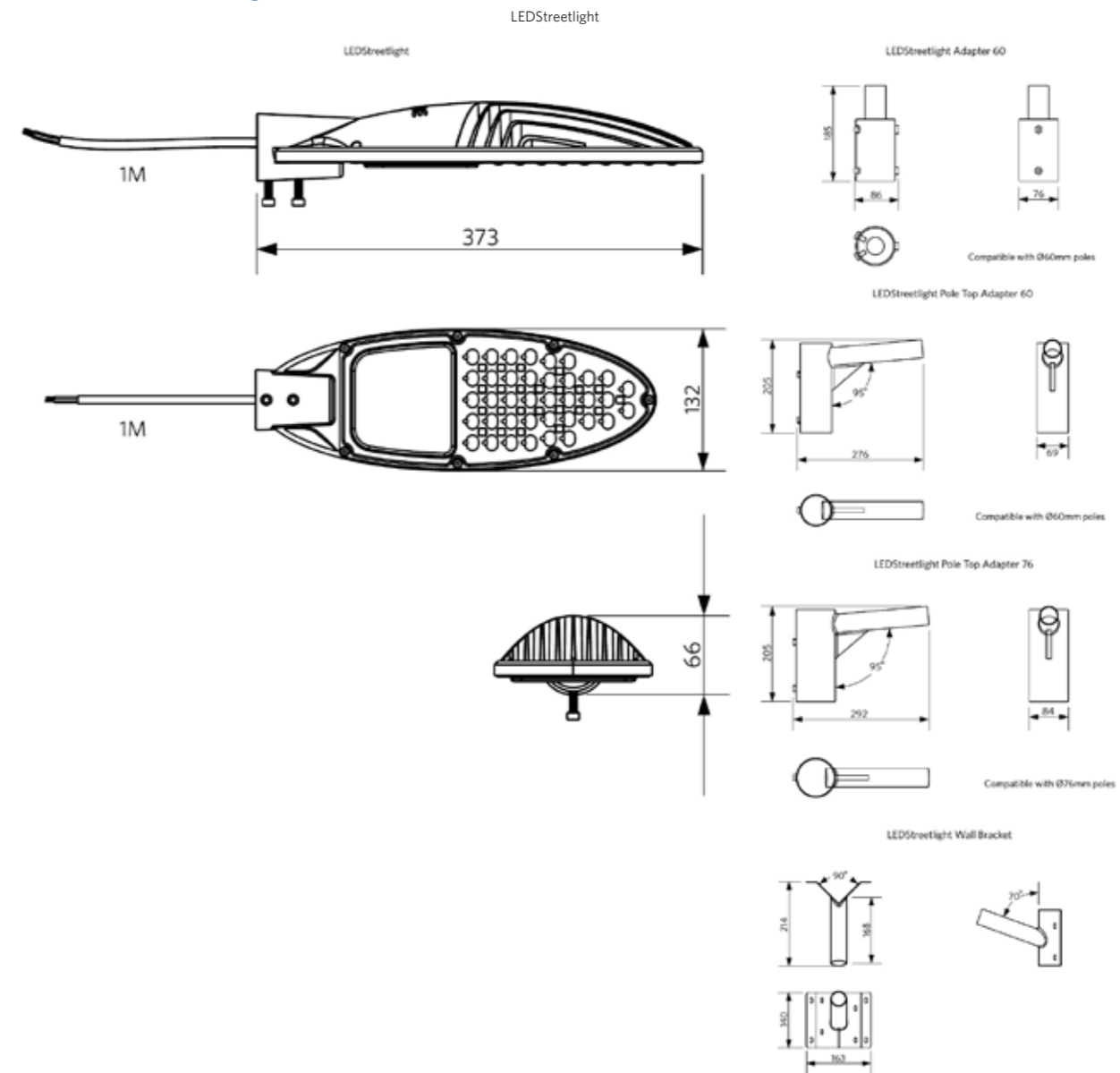
  

Mechanical Properties	
Material housing	Aluminium
Optical material	Polycarbonate
Compatible pole Ø	36-42 mm
Effective wind area	385 cm <sup>2</sup>

Ambient Conditions	
Operating temperature	-40 - 50 °C
Application temperature	25 °C
Storage environment	-30 - 65 °C



## Dimensional Drawing (mm)



For more technical information, see appendix 5.





LED Flood HO

- Up to 40% energy saving compared to HID solutions
- Different optics to illuminate sport pitches (Class II/III NEN-EN 12193:2017) and open areas.
- Full IP66 and IK08, coastline proof
- Equipped with 1-10V dimming for further energy saving
- Easy installation thanks to included IP66 connector

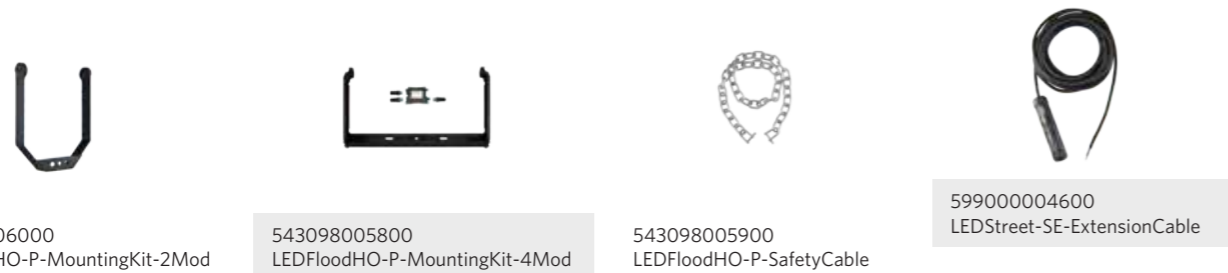


310W version standard including bracket. 620W version standard without bracket.  
1240W versions available by combining two 620W modules and the mounting kit-4mod accessory.

## Specifications

Item Code	Item Description	Equivalent to (W)	Power (W)	Lumen	Efficacy (lm/W)	CCT (K)	Beam angle	Effective wind area	Weight (kg/pc)
543017013300	LEDfloodHO-P-310W-5700-W	HID 500W	310	40000	130	5700	120 ° x 30 °	1110 cm <sup>2</sup>	13.50
543017013200	LEDfloodHO-P-310W-5700-N	HID 500W	310	40000	130	5700	60 °	1110 cm <sup>2</sup>	13.50
543017013100	LEDfloodHO-P-310W-5700-XN	HID 500W	310	40000	130	5700	25 °	1110 cm <sup>2</sup>	13.50
543017012700	LEDfloodHO-P-620W-5700-W	HID 1000W	620	80000	130	5700	120 ° x 30 °	2331 cm <sup>2</sup>	17.50
543017012600	LEDfloodHO-P-620W-5700-N	HID 1000W	620	80000	130	5700	60 °	2331 cm <sup>2</sup>	17.50
543017012500	LEDfloodHO-P-620W-5700-XN	HID 1000W	620	80000	130	5700	25 °	2331 cm <sup>2</sup>	17.50

## Accessories



For more technical information, see appendix 6.

Technical Specifications	
Lifespan (L70B50)	100,000 h
Lifespan (L80B50)	70,000 h
On-/Off-cycles	100,000
Colour consistency (SDCM)	6
Dimmable	Yes (1-10V)
Finishing	Black
Colour rendering index CRI	≥ 70
Degree of protection (IP)	IP66
Impact strength	IK08
Protection class	I
Control gear included	Yes
Glow wire test	850 °C
Driver failure rate (at 5,000 hrs)	1 %
Power factor	≥ 0.90
Surge protection	6 kV

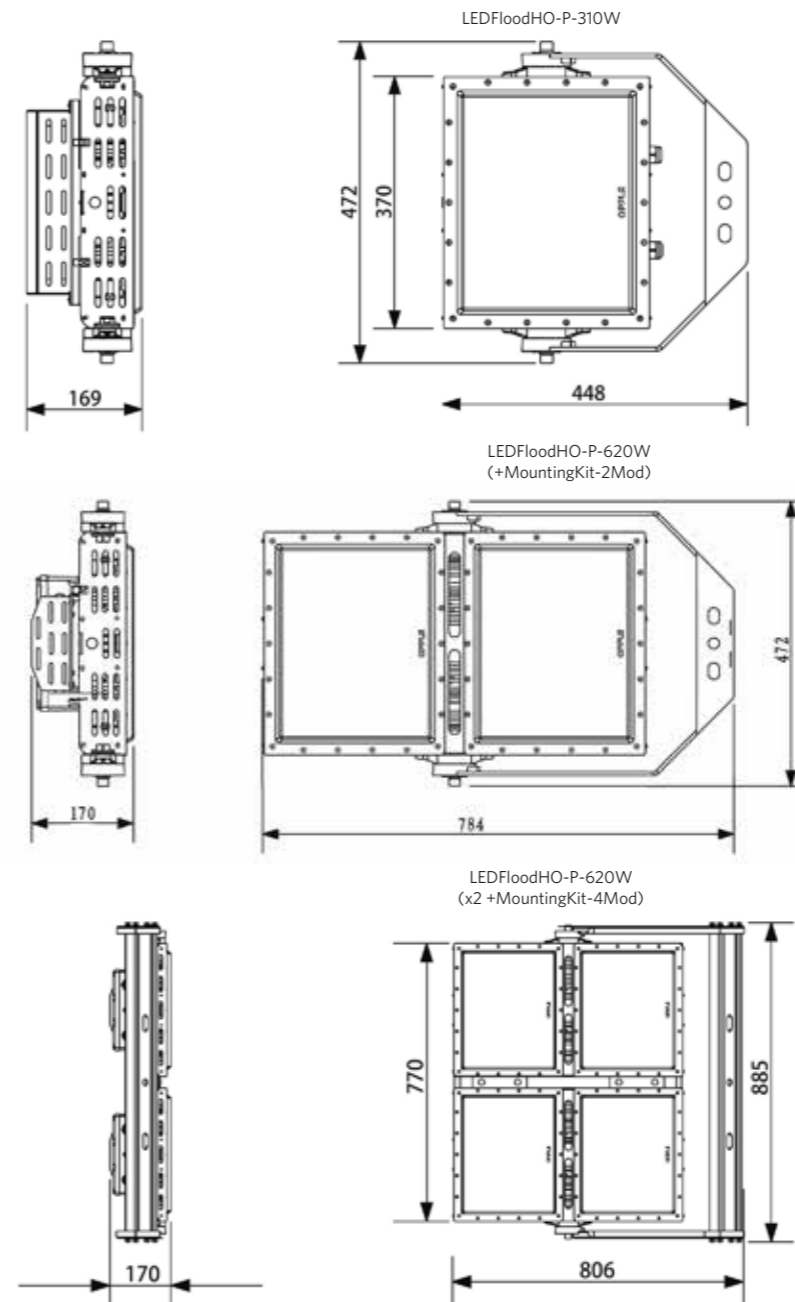
Electrical Supply	
Frequency	50/60 Hz
Nominal voltage	220-240 V AC
DC input voltage	Yes, see Appendix 3

Mechanical Properties	
Material housing	Aluminium
Optical material	Polycarbonate
Cover material	Polycarbonate (PC)

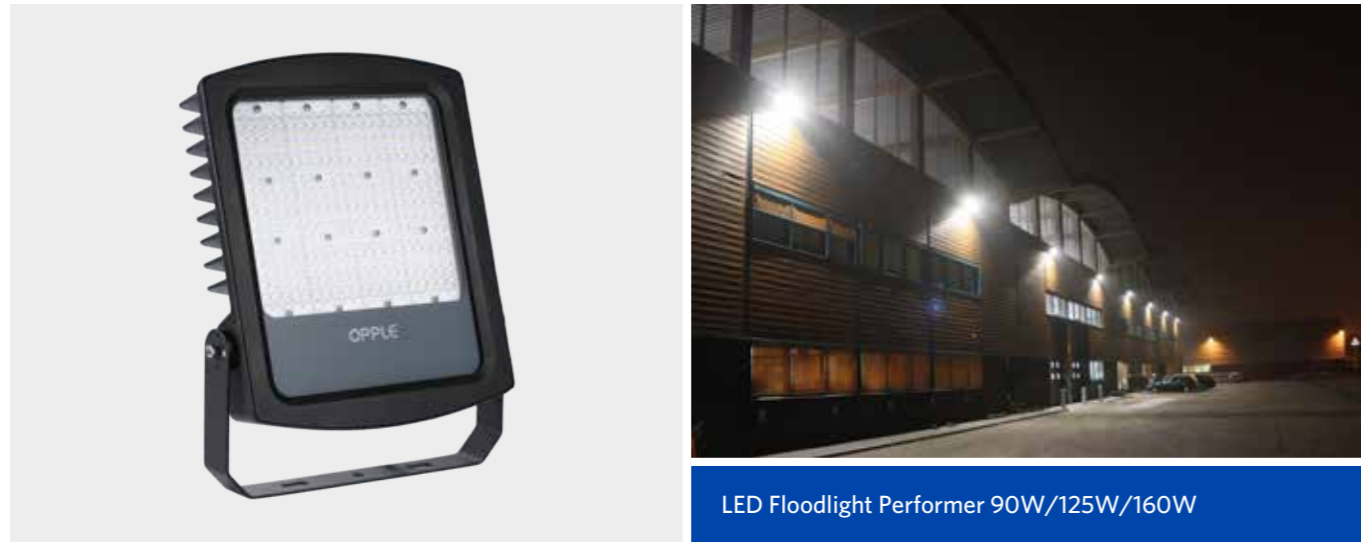
Ambient Conditions	
Operating temperature	-30 - 50 °C
Application temperature	25 °C
Storage environment	-30 - 60 °C



## Dimensional Drawing (mm)







LED Floodlight Performer 90W/125W/160W

- Super slim aluminium body with integrated heatsink and clipless cover
- High lumen package up to 20,000 Lm
- Very high Efficacy of 125 lm/W
- High energy saving up to 65% compared to halogen and high pressure sodium lamps
- Wide (W) and asymmetric (AS) beam angles available
- Robust, water- and dustproof
- Equipped with GORE valve to regulate pressure differences



Specifications

Item Code	Item Description	Equivalent to (W)	Power (W)	Lumen	Efficacy (lm/W)	CCT (K)	Beam angle	Weight (kg/pc)
140062030	LEDflood-P Re440-90W-4000-W-BL	HID 250W	90	11250	125	4000	100 °	6.20
140062031	LEDflood-P Re440-90W-4000-AS-BL	HID 250W	90	11250	125	4000	55 ° x 115 °	6.20
140062032	LEDflood-P Re440-125W-4000-W-BL	HID 400W	125	15625	125	4000	100 °	6.25
140062033	LEDflood-P Re440-125W-4000-AS-BL	HID 400W	125	15625	125	4000	55 ° x 115 °	6.20
140062034	LEDflood-P Re440-160W-4000-W-BL	HID 400W	160	20000	125	4000	100 °	6.20
140062035	LEDflood-P Re440-160W-4000-AS-BL	HID 400W	160	20000	125	4000	55 ° x 115 °	6.25

Accessories



599000004600  
LEDStreet-SE-ExtensionCable

Technical Specifications	
Lifespan (L70B50)	70,000 h
Lifespan (L80B50)	50,000 h
On-/Off-cycles	100,000
Colour consistency (SDCM)	4
Dimmable	No
Finishing	Black
Colour rendering index CRI	≥ 80
Degree of protection (IP)	IP65
Impact strength	IK08
Protection class	I
Control gear included	Yes
Glow wire test	650 °C
Driver failure rate (at 5,000 hrs)	1 %
Power factor	≥ 0.90
Surge protection	4 kV

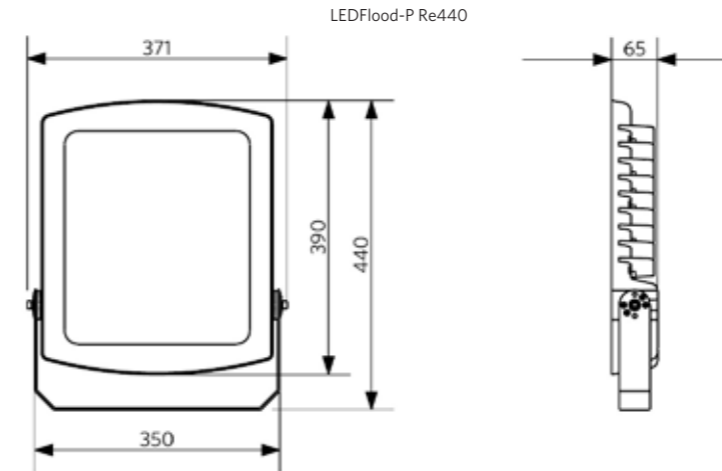
Electrical Supply	
Frequency	50/60 Hz
Nominal voltage	220-240 V AC
DC input voltage	Yes, see Appendix 3

Mechanical Properties	
Material housing	Die-casted Aluminum
Optical material	Polycarbonate
Cover material	Tempered glass

Ambient Conditions	
Operating temperature	-25 - 50 °C
Application temperature	25 °C
Storage environment	-30 - 60 °C



Dimensional Drawing (mm)





LED Floodlight EcoMax G2 30W/50W/70W

- Slim aluminium body with integrated heatsink and clipless cover
- Robust and water- and dustproof
- High efficacy up to 100 lm/W
- High energy saving compared to halogen and high pressure sodium lamps
- Range from 3,000 to 7,000 lm
- Compatible brackets and ground spikes available
- IP65 daylight and motion sensor accessory available



## Specifications

Item Code	Item Description	Equivalent to (W)	Power (W)	Lumen	Efficacy (lm/W)	CCT (K)	Beam angle	Weight (kg/pc)
543017012100	LEDflood-E2 Re199-30W-3000-BL	HID 50W	30	2850	95	3000	110 °	0.85
543017011800	LEDflood-E2 Re199-30W-4000-BL	HID 50W	30	3000	100	4000	110 °	0.85
543017012000	LEDflood-E2 Re253-50W-3000-BL	HID 70W	50	4750	95	3000	110 °	1.40
543017011700	LEDflood-E2 Re253-50W-4000-BL	HID 70W	50	5000	100	4000	110 °	1.40
543017011600	LEDflood-E2 Re283-70W-4000-BL	HID 150W	70	7000	100	4000	110 °	2.10

## Accessories



140065060  
LEDflood-E-Motion-Daylight-Sensor



140060793  
LEDflood-E-Re250-280-Bracket-BL



140060792  
LEDflood-E-Re250-280-Spike-BL



599000004600  
LEDStreet-SE-ExtensionCable

Sensor range 10m. Bracket extendable up to 60 cm.

## Technical Specifications

Lifespan (L70B50)	50,000 h
Lifespan (L80B50)	30,000 h
On-/Off-cycles	100,000
Colour consistency (SDCM)	4
Dimmable	No
Finishing	Black
Colour rendering index CRI	≥ 80
Degree of protection (IP)	IP65
Impact strength	IK07
Protection class	I
Control gear included	Yes
Glow wire test	650 °C
Driver failure rate (at 5,000 hrs)	1 %
Power factor	≥ 0.90
Surge protection	2 kV

## Electrical Supply

Frequency	50/60 Hz
Nominal voltage	220-240 V AC
DC input voltage	Yes, see Appendix 3

## Mechanical Properties

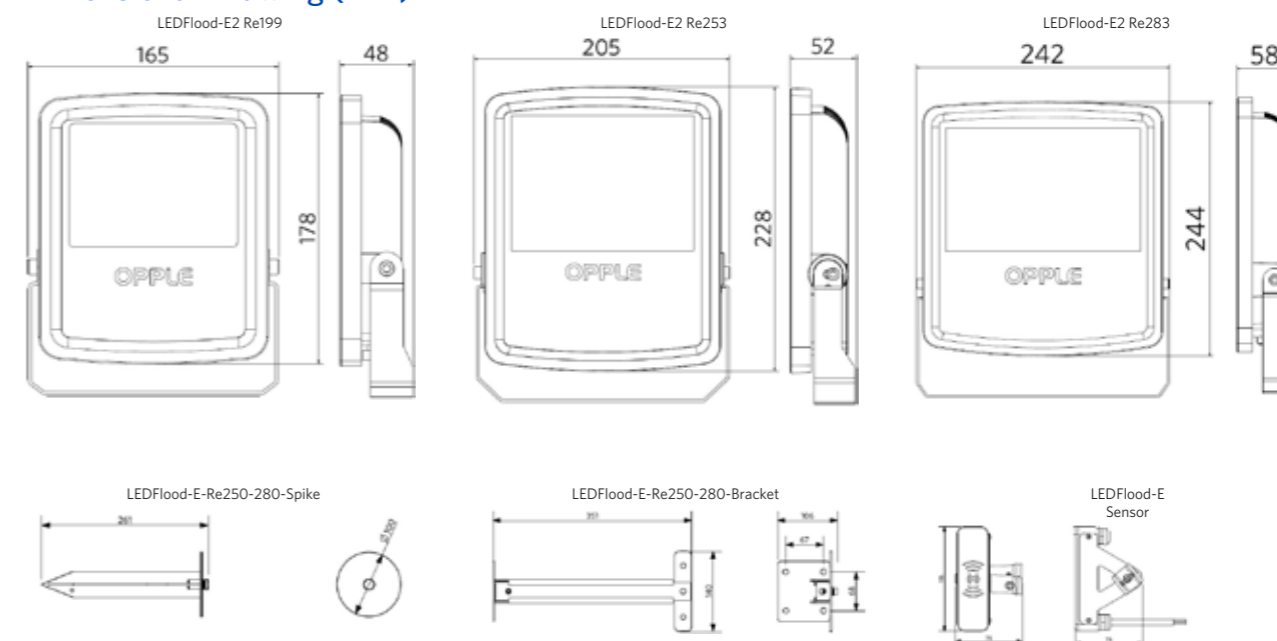
Material housing	Aluminium
Optical material	Polycarbonate
Cover material	Tempered glass

## Ambient Conditions

Operating temperature	-30 - 50 °C
Application temperature	25 °C
Storage environment	-30 - 60 °C



## Dimensional Drawing (mm)





LED Floodlight EcoMax G2 10W/19W

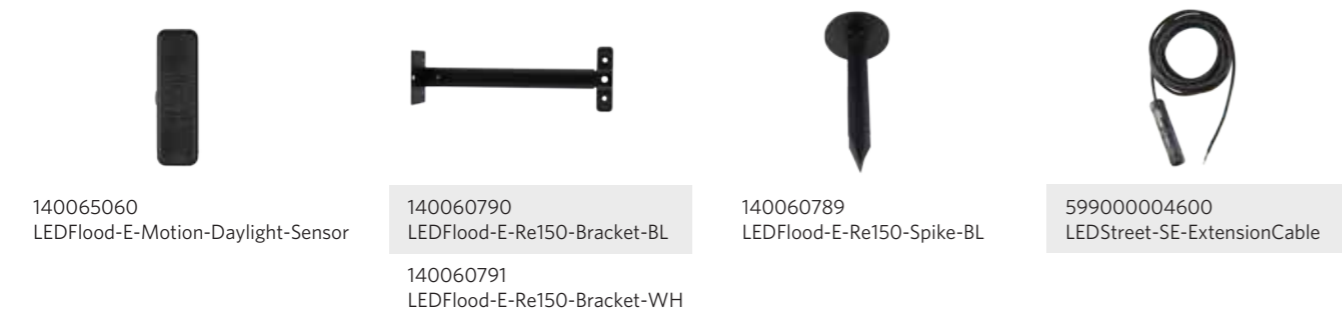
- NEW: compact aluminium design with clipless cover
- IP66 protection level against water and dust
- High energy saving compared to halogen and high pressure sodium lamps
- Also available in 3000K and white housing
- Compatible brackets and ground spikes available
- IP65 daylight and motion sensor accessory available



Specifications

Item Code	Item Description	Equivalent to (W)	Power (W)	Lumen	Efficacy (lm/W)	CCT (K)	Beam angle	Weight (kg/pc)
543017020400	LEDflood-E2 Re113-10W-3000-BL	Halogen 50W	10	1050	105	3000	100 °	0.20
543006000600	LEDflood-E2 Re113-10W-4000-BL	Halogen 50W	10	1050	105	4000	100 °	0.20
543006000700	LEDflood-E2 Re127-19W-3000-BL	Halogen 100W	19	1900	100	3000	100 °	0.25
543006000800	LEDflood-E2 Re127-19W-4000-BL	Halogen 100W	19	1900	100	4000	100 °	0.25
543017020500	LEDflood-E2 Re113-10W-3000-WH	Halogen 50W	10	1050	105	3000	100 °	0.20
543006000900	LEDflood-E2 Re113-10W-4000-WH	Halogen 50W	10	1050	105	4000	100 °	0.20
543006001000	LEDflood-E2 Re127-19W-3000-WH	Halogen 100W	19	1900	100	3000	100 °	0.25
543006001100	LEDflood-E2 Re127-19W-4000-WH	Halogen 100W	19	1900	100	4000	100 °	0.25

Accessories



Sensor range 10m. Bracket extendable up to 60 cm.

Technical Specifications	
Lifespan (L70B50)	50,000 h
Lifespan (L80B50)	30,000 h
On-/Off-cycles	100,000
Colour consistency (SDCM)	4
Dimmable	No
Finishing	White / Black
Colour rendering index CRI	≥ 80
Degree of protection (IP)	IP66
Impact strength	IK07
Protection class	I
Control gear included	Yes
Glow wire test	850 °C
Driver failure rate (at 5,000 hrs)	0.5 %
Power factor	≥ 0.90
Surge protection	2.5 kV

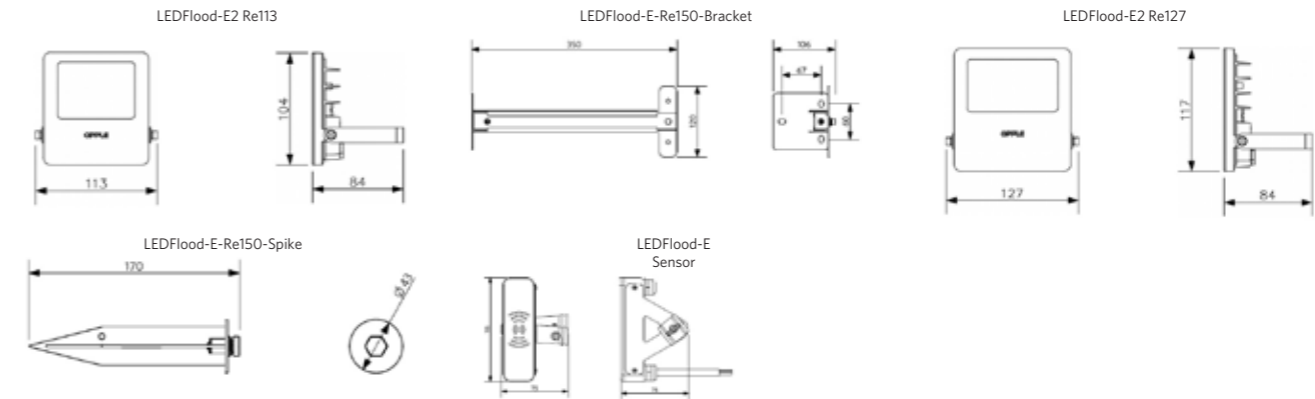
Electrical Supply	
Frequency	50/60 Hz
Nominal voltage	220-240 V AC
DC input voltage	Yes, see Appendix 3

Mechanical Properties	
Material housing	Die-casted Aluminum
Optical material	Polycarbonate
Cover material	Polycarbonate (PC)

Ambient Conditions	
Operating temperature	30 - 50 °C
Application temperature	25 °C
Storage environment	-30 - 60 °C



Dimensional Drawing (mm)







LED Floodlight Basic


- Replacement of halogen and up to 150W HID
- Wide power range from 10W to 70W
- Slim and compact body design due to integrated driver
- IP65 & IK07 for both indoor and outdoor applications
- Compatible brackets and ground spikes available
- IP65 daylight and motion sensor accessory available




Specifications

Item Code	Item Description	Equivalent to (W)	Power (W)	Lumen	Efficacy (lm/W)	CCT (K)	Beam angle	Weight (kg/pc)
543017000200	LEDflood-B Re125-10W-4000	Halogen 50W	10	800	80	4000	100 °	0.26
543017000300	LEDflood-B Re170-20W-4000	Halogen 100W	20	1700	85	4000	100 °	0.45
543017000400	LEDflood-B Re191-30W-4000	HID 50W	30	2500	85	4000	100 °	0.57
543017009900	LEDflood-B Re217-50W-4000	HID 70W	50	4250	85	4000	100 °	1.25
543017010000	LEDflood-B Re266-70W-4000	HID 150W	70	5950	85	4000	100 °	1.53

Accessories




140065060  
LEDflood-E-Motion-Daylight-Sensor




140060790  
LEDflood-E-Re150-Bracket-BL

140060793  
LEDflood-E-Re250-280-Bracket-BL



140060789  
LEDflood-E-Re150-Spike-BL

140060792  
LEDflood-E-Re250-280-Spike-BL



599000004600  
LEDStreet-SE-ExtensionCable

Sensor range 10m. Bracket extendable up to 60 cm.

Technical Specifications	
Lifespan (L70B50)	30,000 h
On-/Off-cycles	100,000
Colour consistency (SDCM)	6
Dimmable	No
Finishing	Black
Colour rendering index CRI	≥ 80
Degree of protection (IP)	IP65
Impact strength	IK07
Protection class	I / II (10W, 20W, 30W)
Control gear included	Yes
Glow wire test	650 °C
Driver failure rate (at 5,000 hrs)	1 %
Power factor	≥ 0.90

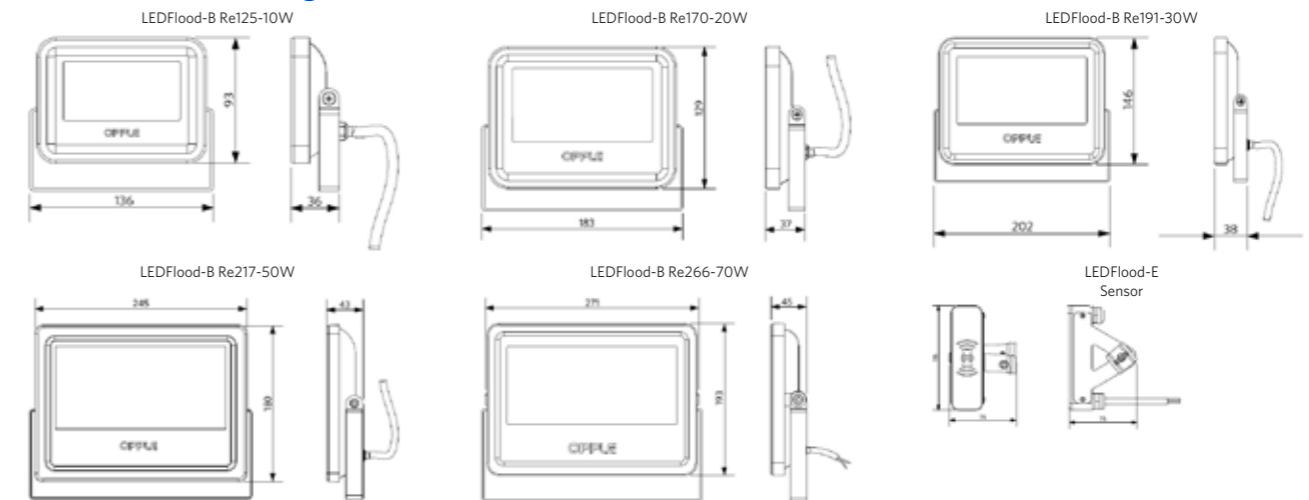
Electrical Supply	
Frequency	50/60 Hz
Nominal voltage	220-240 V AC
DC input voltage	Yes, see Appendix 3

Mechanical Properties	
Material housing	PPS (10W, 20W, 30W) / Aluminum (50W, 70W)
Optical material	Polycarbonate
Cover material	PC + Glass

Ambient Conditions	
Operating temperature	-30 - 50 °C
Application temperature	25 °C
Storage environment	-40 - 80 °C



Dimensional Drawing (mm)



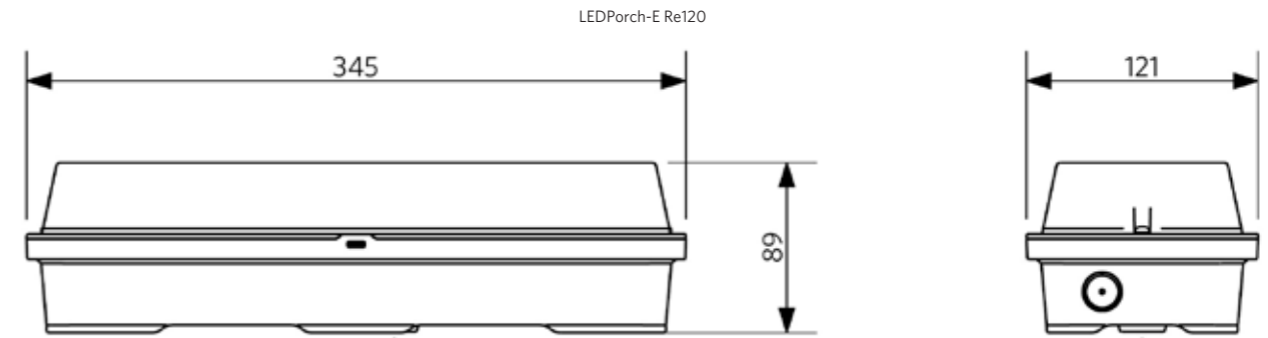


LED Porchlight EcoMax

- Master Porchlight with integrated motion detector and daylight sensor (MD-versions)
- Automatic dimming to 20% light level in case of no movement detection (MD-versions)
- One Master Porchlight (MD) can control up to 10 Porchlight fixtures
- Detection range, hold time and daylight sensor settings can be easily customized via DIP switch
- Energy saving up to 50% compared to compact fluorescent based fixtures
- Further energy saving by the automatic dimming feature



Dimensional Drawing (mm)



Specifications

Item Code	Item Description	Equivalent to (W)	Power (W)	Lumen	Efficacy (lm/W)	CCT (K)	Weight (kg/pc)
140064477	LEDPorch-E Re120-5W-3000K-WH	TL 8W	5	450	90	3000	0.83
140064478	LEDPorch-E Re120-5W-4000K-WH	TL 8W	5	500	100	4000	0.83
140064479	LEDPorch-E Re120-6W-3000K-MD-WH	TL 8W	6	480	80	3000	0.87
140064480	LEDPorch-E Re120-6W-4000K-MD-WH	TL 8W	6	510	85	4000	0.87
140064481	LEDPorch-E Re120-8W-3000K-WH	CFL 11W	8	720	90	3000	0.83
140064482	LEDPorch-E Re120-8W-4000K-WH	CFL 11W	8	800	100	4000	0.83
140064483	LEDPorch-E Re120-9W-3000K-MD-WH	CFL 11W	9	765	85	3000	0.87
140064484	LEDPorch-E Re120-9W-4000K-MD-WH	CFL 11W	9	810	90	4000	0.87

Emergency lighting available on request.

Technical Specifications	
Lifespan (L70B50)	50,000 h
Lifespan (L80B50)	30,000 h
On-/Off-cycles	100,000
Colour consistency (SDCM)	6
Dimmable	No
Finishing	White
Colour rendering index CRI	≥ 80
Degree of protection (IP)	IP65
Impact strength	IK10
Protection class	II
Control gear included	Yes
Glow wire test	650 °C
Driver failure rate (at 5,000 hrs)	0.5 %
Power factor	≥ 0.90

Electrical Supply	
Frequency	50/60 Hz
Nominal voltage	220-240 V AC
DC input voltage	Yes, see Appendix 3
Mechanical Properties	
Material housing	Polycarbonate (PC)
Optical material	Polycarbonate
Ambient Conditions	
Operating temperature	-30 - 50 °C
Application temperature	25 °C
Storage environment	-30 - 60 °C





Smart 12

Indoor 32

Outdoor 94

**Lamps & Accessories** 112

Technical data 134

Index 146

Glossary 154



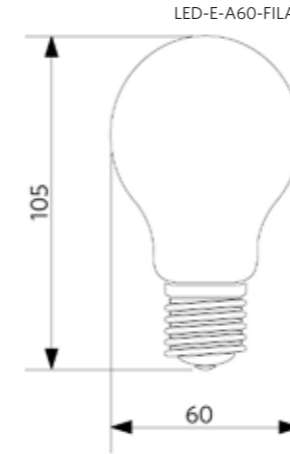


LED Filament A60

- Classic light bulb shape ensures an easy replacement
- Instant 100% light when switched on and no startup time
- No UV /IR radiance so there is less risk of damage, like discolouring
- 4000K available for Frosted A60 lamps



Dimensional Drawing (mm)



Specifications

Item Code	Item Description	Equivalent to (W)	Power (W)	Lumen	Efficacy (lm/W)	CCT (K)	Energy Level	Weight (kg/pc)
500010001400	LED-E-A60-FILA-E27-4W-2700K-CL	GLS 40W	4	470	118	2700	A+	0.03
500010001500	LED-E-A60-FILA-E27-7W-2700K-CL	GLS 60W	7	806	115	2700	A+	0.03
500010001100	LED-E-A60-FILA-E27-4.5W-DIM-2700K-CL	GLS 40W	4.5	470	104	2700	A+	0.03
500010001000	LED-E-A60-FILA-E27-7W-DIM-2700K-CL	GLS 60W	7	806	115	2700	A+	0.03
500010001900	LED-E-A60-FILA-E27-4.5W-DIM-2700K-FR	GLS 40W	4.5	470	104	2700	A+	0.03
500010001200	LED-E-A60-FILA-E27-7W-DIM-2700K-FR	GLS 60W	7	806	115	2700	A+	0.03
500010001300	LED-E-A60-FILA-E27-4.5W-DIM-4000K-FR	GLS 40W	4.5	470	104	4000	A+	0.03
500010000400	LED-E-A60-FILA-E27-7W-DIM-4000K-FR	GLS 60W	7	806	115	4000	A+	0.03

See appendix 1 for dimmer compatibility list.

Technical Specifications	
Lifespan (L70B50)	15,000 h
On-/Off-cycles	15,000
Dimmable	No / Yes (DIM)
Beam angle	360 °
Finishing	Transparent / Frosted
Colour rendering index CRI	≥ 80

Electrical Supply	
Frequency	50/60 Hz
Nominal voltage	220-240 V
	AC
DC input voltage	No

Ambient Conditions	
Operating temperature	-20 - 40 °C
Application temperature	25 °C
Storage environment	-25 - 50 °C

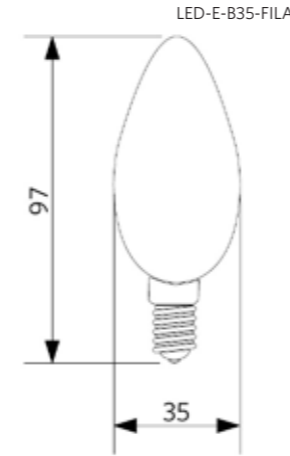




- Classic light bulb shape ensures an easy replacement
- Instant 100% light when switched on and no startup time
- No UV /IR radiance so there is less risk of damage, like discolouring
- Up to 86% less energy consumption than traditional bulbs



Dimensional Drawing (mm)



Specifications

Item Code	Item Description	Equivalent to (W)	Power (W)	Lumen	Efficacy (lm/W)	CCT (K)	Energy Level	Weight (kg/pc)
500011000500	LED-E-B35-FILA-E14-2.8W-2700K-CL	GLS 25W	2.8	250	89	2700	A+	0.03
500011000300	LED-E-B35-FILA-E14-4W-2700K-CL	GLS 40W	4	470	118	2700	A+	0.03
500011000200	LED-E-B35-FILA-E14-4.5W-DIM-2700K-CL	GLS 40W	4.5	470	104	2700	A+	0.03
500011000400	LED-E-B35-FILA-E14-2.8W-DIM-2700K-FR	GLS 25W	2.8	250	89	2700	A+	0.03
500011000100	LED-E-B35-FILA-E14-4.5W-DIM-2700K-FR	GLS 40W	4.5	470	104	2700	A+	0.03

See appendix 1 for dimmer compatibility list.

Technical Specifications	
Lifespan (L70B50)	15,000 h
On-/Off-cycles	15,000
Dimmable	No / Yes (DIM)
Beam angle	360 °
Finishing	Transparent / Frosted
Colour rendering index CRI	≥ 80

Electrical Supply	
Frequency	50/60 Hz
Nominal voltage	220-240 V AC
DC input voltage	No

Ambient Conditions	
Operating temperature	-20 - 40 °C
Application temperature	25 °C
Storage environment	-25 - 50 °C





- Classic light bulb shape ensures an easy replacement
- Instant 100% light when switched on and no startup time
- No UV /IR radiance so there is less risk of damage, like discolouring
- Up to 86% less energy consumption than traditional bulbs



### Specifications

Item Code	Item Description	Equivalent to (W)	Power (W)	Lumen	Efficacy (lm/W)	CCT (K)	Energy Level	Weight (kg/pc)
500010000600	LED-E-P45-FILA-E14-2.8W-2700K-CL	GLS 25W	2.8	250	89	2700	A+	0.03
500010001800	LED-E-P45-FILA-E14-4W-2700K-CL	GLS 40W	4	470	118	2700	A+	0.03
500010001700	LED-E-P45-FILA-E14-4.5W-DIM-2700K-CL	GLS 40W	4.5	470	104	2700	A+	0.03
500010000500	LED-E-P45-FILA-E14-2.8W-DIM-2700K-FR	GLS 25W	2.8	250	89	2700	A+	0.03
500010000700	LED-E-P45-FILA-E14-4.5W-DIM-2700K-FR	GLS 40W	4.5	470	104	2700	A+	0.03
500010002000	LED-E-G45-FILA-E27-2.8W-2700K-CL	GLS 25W	2.8	250	89	2700	A+	0.03
500010000900	LED-E-G45-FILA-E27-4.5W-DIM-2700K-CL	GLS 40W	4.5	470	104	2700	A+	0.03
500010000800	LED-E-G45-FILA-E27-2.8W-DIM-2700K-FR	GLS 25W	2.8	250	89	2700	A+	0.03
500010001600	LED-E-G45-FILA-E27-4.5W-DIM-2700K-FR	GLS 40W	4.5	470	104	2700	A+	0.03

See appendix 1 for dimmer compatibility list.

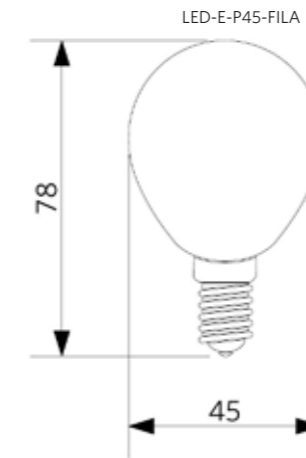
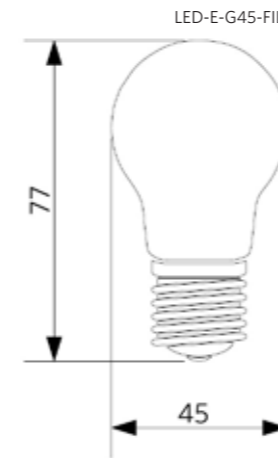
Technical Specifications	
Lifespan (L70B50)	15,000 h
On-/Off-cycles	15,000
Dimmable	No / Yes (DIM)
Beam angle	360 °
Finishing	Transparent / Frosted
Colour rendering index CRI	≥ 80

Electrical Supply	
Frequency	50/60 Hz
Nominal voltage	220-240 V AC
DC input voltage	No

Ambient Conditions	
Operating temperature	-20 - 40 °C
Application temperature	25 °C
Storage environment	-25 - 50 °C



### Dimensional Drawing (mm)







LED Filament ST64

- Classic light bulb shape ensures an easy replacement
- Instant 100% light when switched on and no startup time
- No UV /IR radiance so there is less risk of damage, like discolouring
- Up to 86% less energy consumption than traditional bulbs
- Available in 2200K and 2700K



Dimensional Drawing (mm)



Specifications

Item Code	Item Description	Equivalent to (W)	Power (W)	Lumen	Efficacy (lm/W)	CCT (K)	Energy Level	Weight (kg/pc)
500012000300	LED-E-ST64-FILA-E27-4.5W-DIM-2700K-CL	GLS 40W	4.5	470	104	2700	A+	0.03
500012000100	LED-E-ST64-FILA-E27-7W-DIM-2700K-CL	GLS 60W	7	806	115	2700	A+	0.03
500012000200	LED-E-ST64-FILA-E27-4.5W-DIM-2200K-CL	GLS 40W	4.5	400	89	2200	A+	0.03
500012000400	LED-E-ST64-FILA-E27-7W-DIM-2200K-CL	GLS 60W	7	700	100	2200	A+	0.03

See appendix 1 for dimmer compatibility list

Technical Specifications	
Lifespan (L70B50)	15,000 h
On-/Off-cycles	15,000
Dimmable	Yes (DIM)
Beam angle	360 °
Finishing	Transparent
Colour rendering index CRI	≥ 80

Electrical Supply	
Frequency	50/60 Hz
Nominal voltage	220-240 V AC
DC input voltage	No

Ambient Conditions	
Operating temperature	-20 - 40 °C
Application temperature	25 °C
Storage environment	-25 - 50 °C





- Full retrofit of existing halogen GU10 lamps
- Dimmable versions available up to 575lm
- Available in 3000K and 4000K
- Light silver coloured
- No UV/IR radiation
- Significantly lower heat output than halogen, avoiding discolouration and risk of damaging goods
- Up to 87% lower energy consumption than halogen



See appendix 1 for dimmer compatibility list

## Specifications

Item Code	Item Description	Equivalent to (W)	Power (W)	Lumen	Efficacy (lm/W)	CCT (K)	Energy Level	Weight (kg/pc)
140060948	LED-E-GU10-3,5W-3000K-36D-DIM	Halogen 35W	3.5	245	70	3000	A+	0.03
140060952	LED-E-GU10-3,5W-4000K-36D-DIM	Halogen 35W	3.5	260	74	4000	A+	0.03
140060949	LED-E-GU10-5,2W-3000K-36D-DIM	Halogen 50W	5.2	350	67	3000	A+	0.04
140060953	LED-E-GU10-5,2W-4000K-36D-DIM	Halogen 50W	5.2	360	69	4000	A+	0.04
140060951	LED-E-GU10-7,5W-3000K-36D-DIM	Halogen 75W	7.5	565	75	3000	A+	0.06
140060955	LED-E-GU10-7,5W-4000K-36D-DIM	Halogen 75W	7.5	575	77	4000	A+	0.06

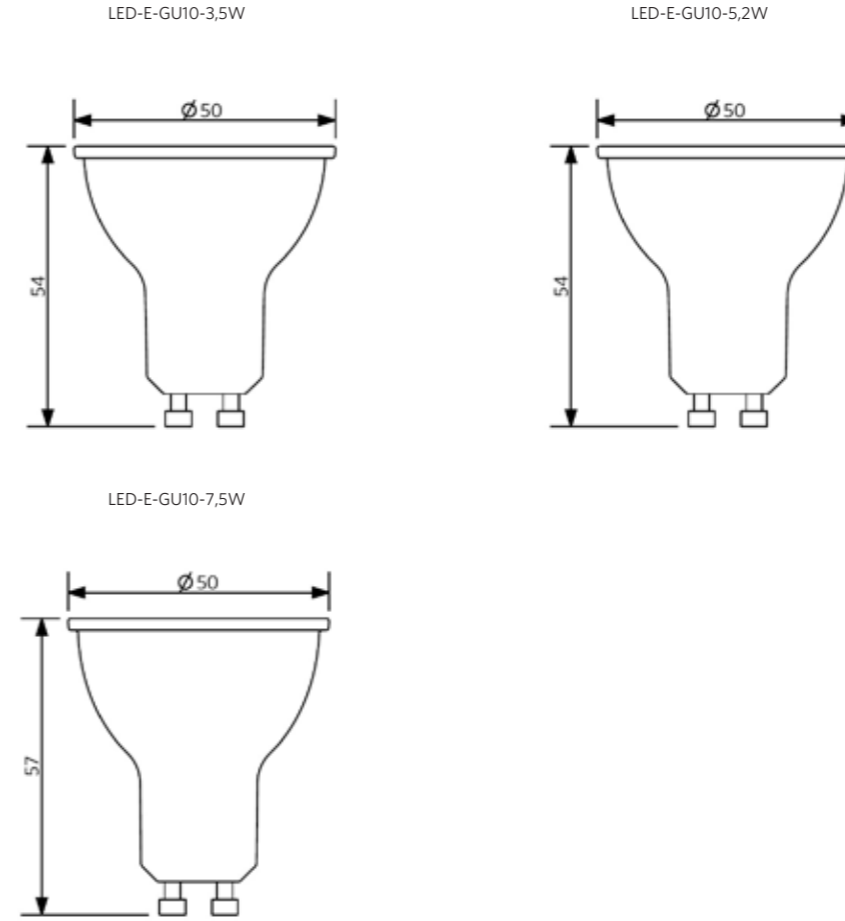
Technical Specifications	
Lifespan (L70B50)	15,000 h
On-/Off-cycles	50,000
Dimmable	Yes
Beam angle	36 °
Finishing	Silver
Colour rendering index CRI	≥ 80

Electrical Supply	
Frequency	50/60 Hz
Nominal voltage	220-240 V AC
DC input voltage	No

Ambient Conditions	
Operating temperature	-20 - 40 °C
Application temperature	25 °C
Storage environment	-25 - 50 °C



## Dimensional Drawing (mm)





- Always use the Universal Tube in combination with a ballast
- One fits all, compatible with all electronic & magnetic ballasts
- True plug & play LED tube solution
- Safety end cap to ensure complete safe installation
- Very short lamp cap
- Unique patented 'oneTLED' technology
- High efficacy up to 125 lm/W



For EM installations ALWAYS replace the starter with the starter which is delivered with the Universal LED T8 tube  
Tubes are NOT suitable for serial installation

## Specifications

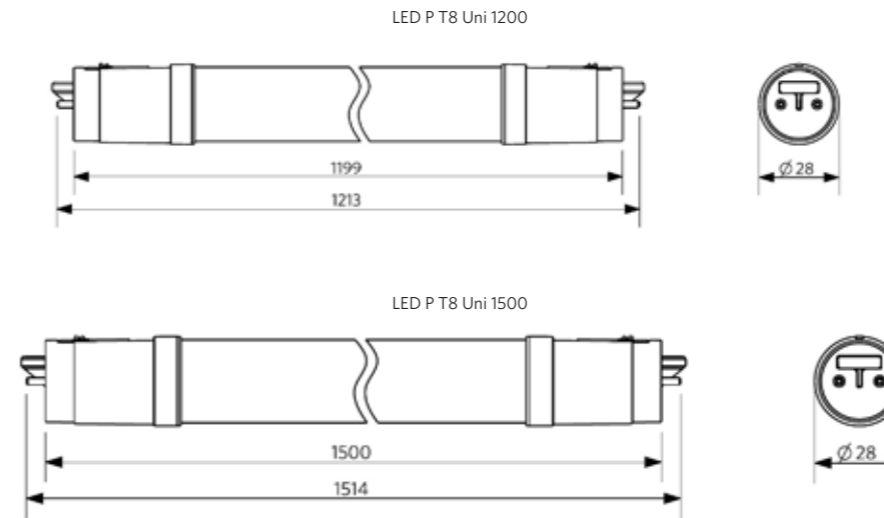
Item Code	Item Description	Equivalent to (W)	Power (W)	Lumen	Efficacy (lm/W)	CCT (K)	Energy Level	Weight (kg/pc)
140056692	LED P T8 Uni 1200 16.5W 100pct 3000K CT	TL 1x36W	16.5	2150	130	3000	A+	0.38
140056693	LED P T8 Uni 1200 16.5W 100pct 4000K CT	TL 1x36W	16.5	2150	130	4000	A+	0.38
140056694	LED P T8 Uni 1200 16.5W 100pct 6500K CT	TL 1x36W	16.5	2150	130	6500	A+	0.38
140056695	LED P T8 Uni 1500 24.5W 100pct 3000K CT	TL 1x58W	24.5	3200	130	3000	A+	0.48
140056696	LED P T8 Uni 1500 24.5W 100pct 4000K CT	TL 1x58W	24.5	3200	130	4000	A+	0.48
140056697	LED P T8 Uni 1500 24.5W 100pct 6500K CT	TL 1x58W	24.5	3200	130	6500	A+	0.48

Use on dimmable ballast might effect lifetime of the lamp and/or ballast  
The light output can differ depending on the luminaire and/or driver used

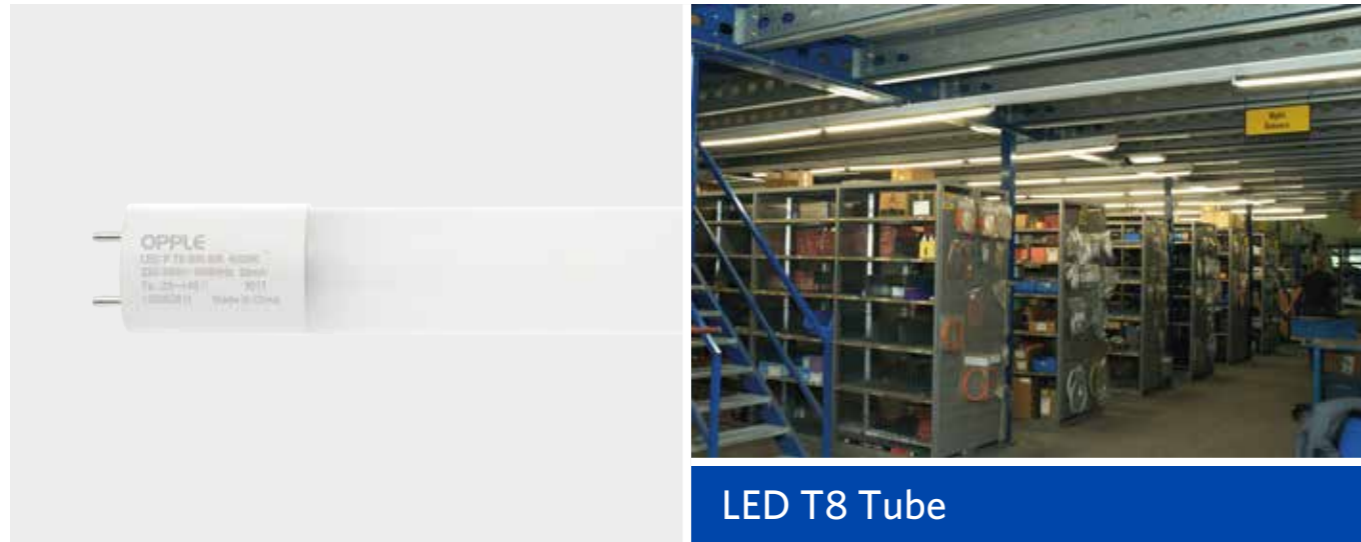
Technical Specifications		Electrical Supply	
Lifespan (L70B50)	50,000 h	Frequency	50/60 Hz
On-/Off-cycles	100,000	Nominal voltage	220-240 V AC
Dimmable	No	DC input voltage	No
Beam angle	160 °	Ambient Conditions	
Finishing	White	Operating temperature	-20 - 40 °C
Colour rendering index CRI	≥ 80	Application temperature	25 °C
Fitting	G13	Storage environment	-25 - 50 °C



## Dimensional Drawing (mm)







LED T8 Tube

- Single-ended full IEC compliant with patented driver
- Retrofit existing T8 lamps with EM ballast installations ONLY!
- No warm-up time, 100% light instantly when switched on
- Full glass
- High efficacy up to 120 lm/W
- Up to 62% lower energy consumption than fluorescent



SAFE AND EASY INSTALLATION: ONLY USE WITH LED DUMMY STARTER  
Tubes are NOT suitable for serial installation

## Specifications

Item Code	Item Description	Equivalent to (W)	Power (W)	Lumen	Efficacy (lm/W)	CCT (K)	Energy Level	Weight (kg/pc)
140062610	LED P T8 glass 600 8W 100pct 3000K CT	TL 1x18W	8	1050	131	3000	A++	0.12
140062611	LED P T8 glass 600 8W 100pct 4000K CT	TL 1x18W	8	1050	131	4000	A++	0.12
140062612	LED P T8 glass 600 8W 100pct 6500K CT	TL 1x18W	8	1050	131	6500	A++	0.12
140062613	LED P T8 glass 1200 16W 100pct 3000K CT	TL 1x36W	16	2100	131	3000	A++	0.21
140062614	LED P T8 glass 1200 16W 100pct 4000K CT	TL 1x36W	16	2100	131	4000	A++	0.21
140062615	LED P T8 glass 1200 16W 100pct 6500K CT	TL 1x36W	16	2100	131	6500	A++	0.21
140062616	LED P T8 glass 1500 23W 100pct 3000K CT	TL 1x58W	23	3100	134	3000	A++	0.26
140062617	LED P T8 glass 1500 23W 100pct 4000K CT	TL 1x58W	23	3100	134	4000	A++	0.26
140062618	LED P T8 glass 1500 23W 100pct 6500K CT	TL 1x58W	23	3100	134	6500	A++	0.26

Single-ended connection



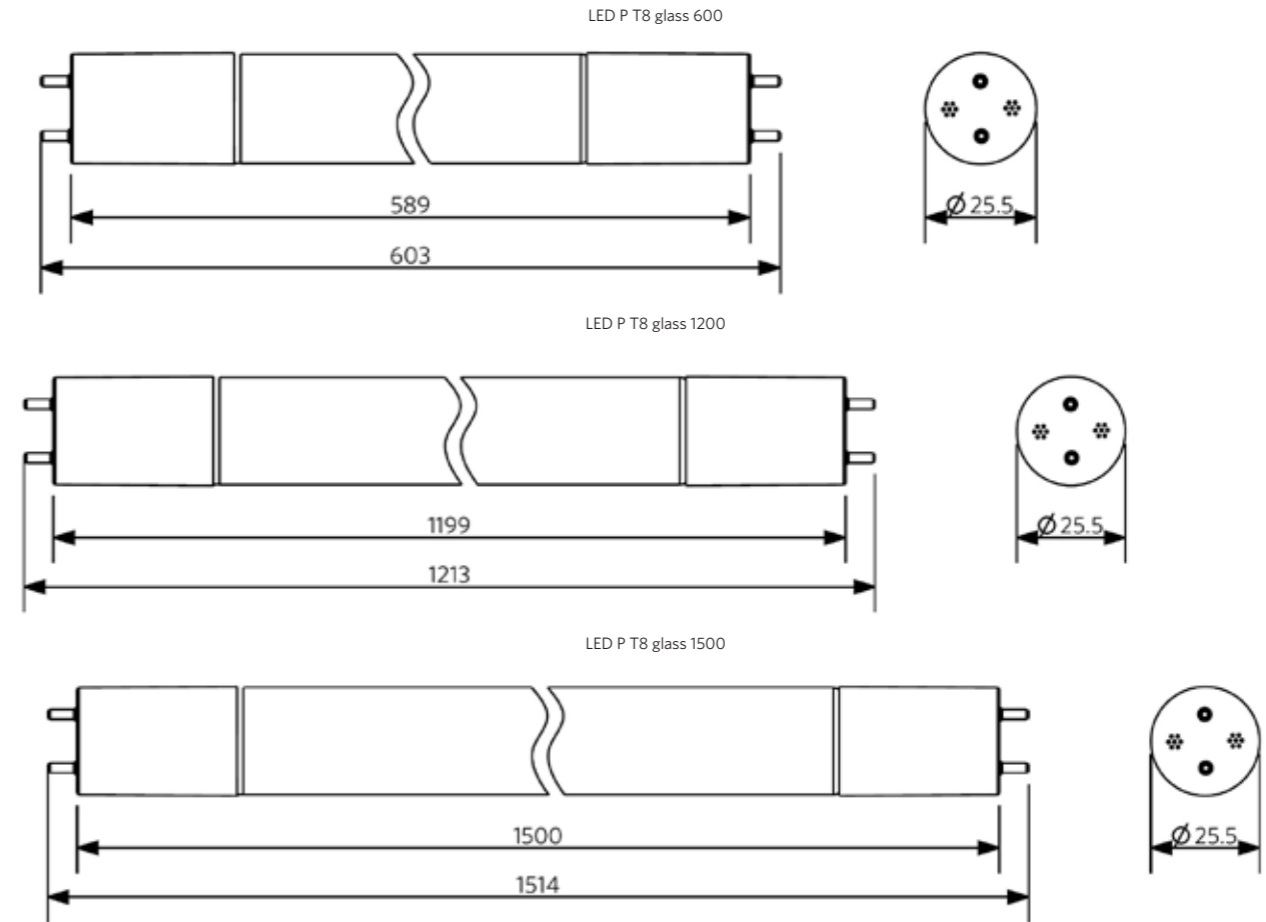
Technical Specifications	
Lifespan (L70B50)	50,000 h
On-/Off-cycles	100,000
Dimmable	No
Beam angle	220 °
Finishing	White
Colour rendering index CRI	≥ 80
Fitting	G13

Electrical Supply	
Frequency	50/60 Hz
Nominal voltage	220-240 V
DC input voltage	No

Ambient Conditions	
Operating temperature	-25 - 45 °C
Application temperature	25 °C
Storage environment	-25 - 50 °C



## Dimensional Drawing (mm)





LED High Power Bulb

- High lumen output allows easy replacement up to 400W HID
- To be used in existing luminaires with E40 sockets, of which the ballast needs to be removed
- Connects directly to 220-240V
- High lumen packages with high efficacy: up to 13,000 lm and 113 lm/W
- Enables both surface and hook mounting
- Up to 55% energy savings compared to traditional HID lamps
- 2.5 times longer lifetime compared to traditional HID lamps

Specifications

Item Code	Item Description	Equivalent to (W)	Power (W)	Lumen	Efficacy (lm/W)	CCT (K)	Weight (kg/pc)
140062576	LED P HPB E40 90W 4000K 140D CT	HID 250W	90	8000	89	4000	1.38
140062577	LED P HPB E40 115W 4000K 140D CT	HID 400W	115	13000	113	4000	1.86

Accessories



140062578  
HPB Accessory Hook Mounted E40



140062579  
HPB Accessory Surface Mounted E40

Technical Specifications	
Lifespan (L70B50)	25,000 h
Lifespan (L80B50)	20,000 h
On-/Off-cycles	50,000
Colour consistency (SDCM)	6
Dimmable	No
Beam angle	140 °
Finishing	Grey
Colour rendering index CRI	≥ 80
Protection class	II
Control gear included	Yes
Glow wire test	650 °C
Driver failure rate (at 5,000 hrs)	1 %
Power factor	≥ 0.90

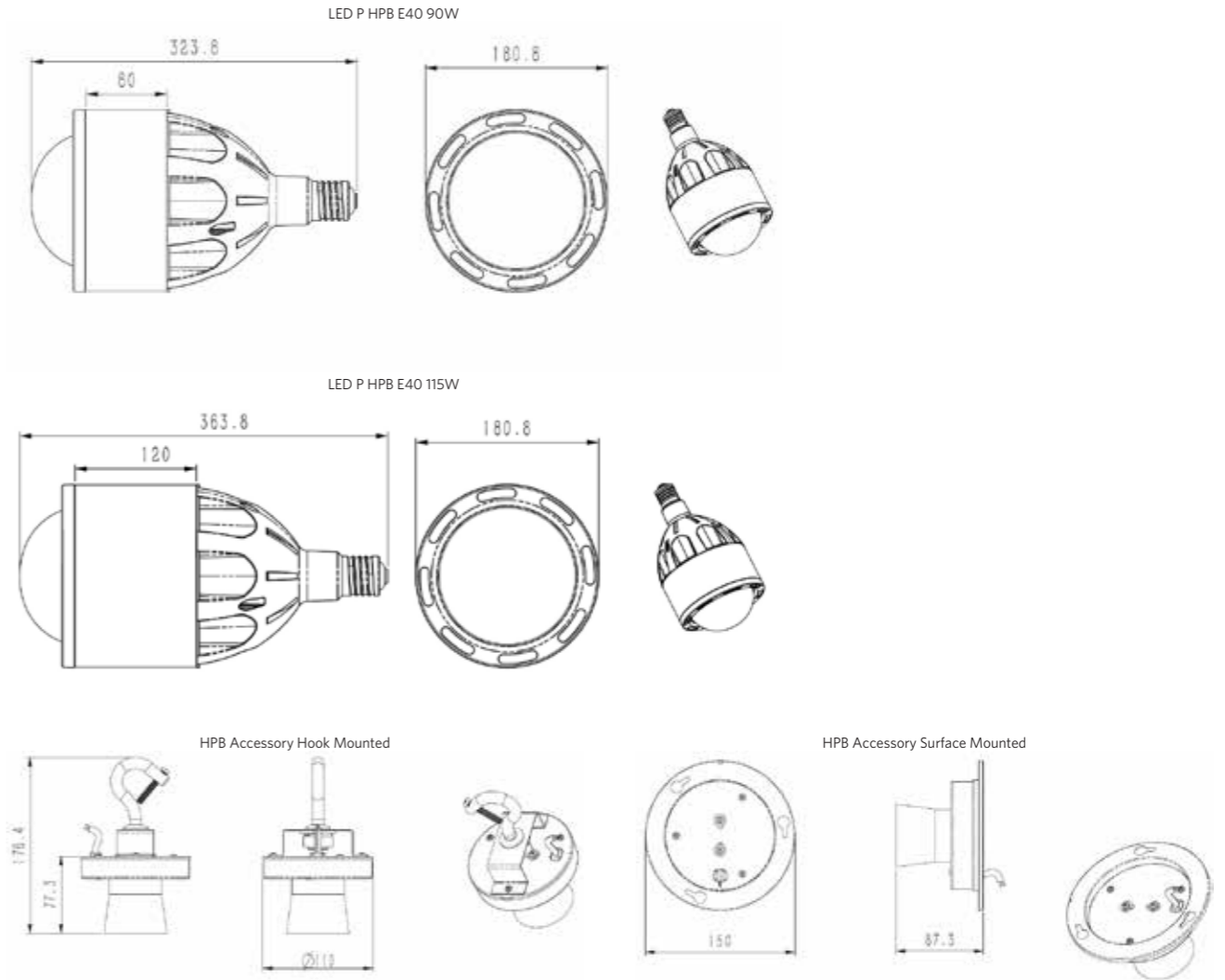
Electrical Supply	
Frequency	50/60 Hz
Nominal voltage	220-240 V AC
DC input voltage	No

Mechanical Properties	
Material housing	Aluminum
Optical material	Polycarbonate

Ambient Conditions	
Operating temperature	-20 - 35 °C
Storage environment	-25 - 50 °C



Dimensional Drawing (mm)





- Fits well in slim ceiling luminaires up to 550mm in diameter
- Easy and flexible installation
- Shadow free, homogeneous light diffusion and 100% light instant on
- High efficacy up to 100 lm/W
- Integrated driver, connects directly to 220-240V
- Including magnets and connection box
- Movement detector accessory available for 12W & 16W



See appendix 1 for dimmer compatibility list

## Specifications

Item Code	Item Description	Equivalent to (W)	Power (W)	Lumen	Efficacy (lm/W)	CCT (K)	Energy Level	Weight (kg/pc)
140066573	LED E C module 12W 2700K Clio CT	GLS 75W	12	1000	82	2700	A+	0.10
140066574	LED E C module 12W 4000K Clio CT	GLS 75W	12	1100	91	4000	A+	0.10
140066575	LED E C module 16W 2700K Clio CT II	GLS 100W	16	1400	87	2700	A+	0.17
140066576	LED E C module 16W 4000K Clio CT II	GLS 100W	16	1600	100	4000	A+	0.17
140066204	LED E C module 22W DIM 2700K Clio CT	CFL TC-DD/PL-Q 28W	22	1800	83	2700	A+	0.24
140066205	LED E C module 22W DIM 4000K Clio CT	CFL TC-DD/PL-Q 28W	22	2000	91	4000	A+	0.24
140066206	LED E C module 36W DIM 2700K Clio CT	CFL TC-DD/PL-Q 38W	36	2800	78	2700	A	0.49
140066207	LED E C module 36W DIM 4000K Clio CT	CFL TC-DD/PL-Q 38W	36	3000	83	4000	A+	0.49

## Accessories



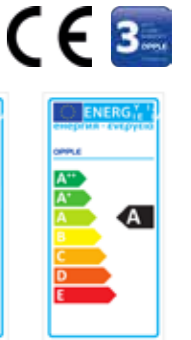
140060553  
LED Module sensor CT

Sensor only for 12W and 16W.  
Sensor range 12m.

Technical Specifications	
Lifespan (L70B50)	30,000 h
Lifespan (L80B50)	20,000 h
On-/Off-cycles	100,000
Dimmable	No / Yes (22W/36W)
Beam angle	150 °
Colour rendering index CRI	≥ 80
Degree of protection (IP)	IP20
Protection class	II
Control gear included	Yes

Electrical Supply	
Frequency	50/60 Hz
Nominal voltage	220-240 V AC
DC input voltage	No

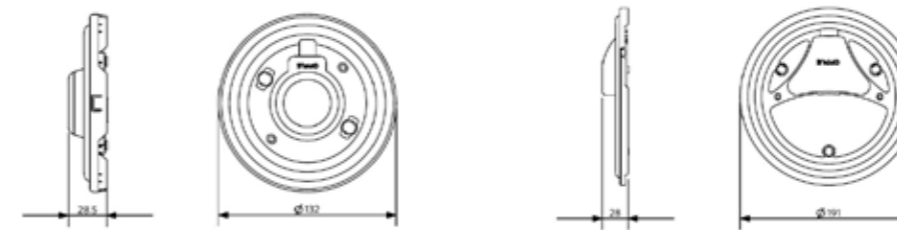
Ambient Conditions	
Operating temperature	-20 - 40 °C
Application temperature	25 °C
Storage environment	-25 - 50 °C



## Dimensional Drawing (mm)

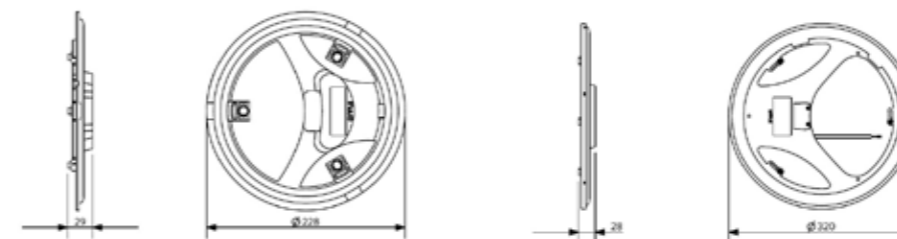
LED E C module 12W

LED E C module 16W

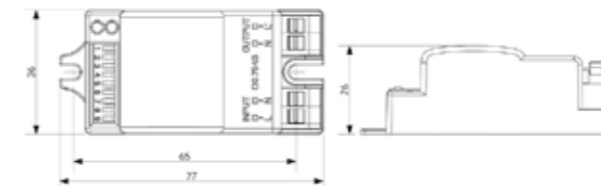


LED E C module 22W

LED E C module 36W



LED Module sensor CT









**Smart** 12  
**Indoor** 32  
**Outdoor** 94  
**Lamps & Accessories** 112  
**Technical data** 134  
**Index** 146  
**Glossary** 154



# Dimming compatibility Level

Compatible	No flicker, no noise
Semi-compatible	No flicker, possible noise
Incompatible	Possible flicker, possible noise
Untested	

Dimmer brand	Type	Max. load	Spot RA HQ Dim		Downlight HZ Dim				Spot Ava	
			7W	8W	7W	10W	13W	16W		
GIRA	UNIV 420VV	50 VA - 420 VA		1-9						
GIRA	HAL/LED 500VA	20 VA - 500 VA							1-6	1-6
GIRA	117600/104	50-420W	1-11		1-11	1-8	1-6	1-5		
GIRA	226200/101	20-500W/LED3-100W	1-13		1-13	1-10	1-7	1-6	1-14	1-11
GIRA	0302 00/101	60-600W	1-16		1-16	1-12	1-9	1-7	1-17	1-13
GIRA	0307 00/102	20-525W	1-14		1-14	1-10		1-6	1-15	1-11
ABB	2250 AJ-513	60 - 600W		2-11					2-6	2-6
Berker	286610	20-500W	1-13	1-5	1-13	1-10	1-7	1-6		1-11
Berker	2819	60-400W		1-10						
Berker	2830 10	60-400W	1-10			1-8	1-6	1-5	1-11	
BUSCH-JAEGER	6523U	LED typical 2 ... 100W	1-13	1-11	1-13	1-10	1-7	1-6	1-14	1-11
BUSCH-JAEGER	6513 U-102	40 - 420W	1-11	1-9	1-11	1-8		1-5	1-12	1-9
BUSCH-JAEGER	2247U	20 - 500W		1-11	1-13	1-10	1-7	1-6	1-14	1-6
BUSCH-JAEGER	6524U	LED 2 - 100 W	1-13	2-5	1-13	1-10	1-7	1-6	1-14	
BUSCH-JAEGER	2250U	600W	1-16	2-11	1-16	1-12	1-9	1-7	1-17	2-13
Busch	6523U-102	10-250W/LED2-100W	1-13		1-13	1-10	1-7	1-6	1-14	1-11
Busch	6526U	10-200W/LED2-100W					1-7			
Eetako	EUD61NPN-UC	400W		1-9						
JUNG	225 NV DE	20-500W/LED3-100W	1-13	1-3	1-13	1-10	1-7	1-6	1-14	1-11
JUNG	266 G DE	60-600W	1-16	1-3	1-16	1-12	1-9	1-7	1-7	1-13
Klemko	891040	315W		1-5					1-6	1-6
merten	MEG5134-0000	4-400W	1-10	1-10	1-11	1-8	1-6	1-5	1-11	1-11
NIKO	310-0190X	5-325W	1-8	1-13	1-9	1-6	1-4	1-4	1-9	1-7
NIKO	310-02900	3-300W	1-8		1-8	1-6	1-4	1-3	1-8	
PEHA	TRONIC-DIMMER 435 HAB	20-600W	1-16	1-10	1-16	1-12	1-7	1-7	1-17	1-2
PEHA	D 431HAN LED	6-120W/LED6-60W	1-8	1-7	1-8	1-6	1-4	1-4	1-8	1-7
TRUMP	DIMMAX 420SL	400W		1-10						
EFAPPEL	21215	3-50W	1-6		1-6	1-5	1-3	1-3	1-7	1-5
EFAPPEL	21214	3-35W	1-4		1-4	1-3	1-2	1-2	1-5	1-4
EFAPPEL	21216	3-85W	1-11		1-11	1-8	1-6	1-5	1-12	1-9
OPUS	852,397	7-110W/LED3-35W	1-4		1-4	1-3	1-2	1-2	1-5	
EPV	PAB 315	20-315W	1-8		1-8	1-6	1-4	1-4	1-9	
Legrand	617 030	40-600w	1-16			1-12		1-7		
Panasonic	BS EN 60669-2-1	150-500W				1-10	1-7	1-6		
Panasonic	WEG578153	80-500W	1-13		1-13	1-10	1-7	1-6	1-14	
BULL	B6GD100	500W				1-10	1-7	1-6	1-14	
SIEMENS	5UH8222-3NC01	40-500W	1-13		1-13	1-10	1-7	1-6	1-14	
NVC	EP8D11A BLB5	400W	1-10		1-11	1-8	1-6	1-5	1-11	
Feller	40200 LED FMI 61	4-200W/VA	1-5		1-5	1-3	1-3	1-2		
Feller	40600 RL FIM61	20-300W/VA	1-8		1-7	1-5	1-4	1-3		
Feller	40300 RC FMI 61	40-600VA/W	1-16						1-16	1-12
Feller	40600 RLC FMI 61	20-600VA/W			1-15	1-11	1-8	1-7		1-12





Please note: For example, a Berker 286610 dimmer can control a minimum of 1 and a maximum of 10 Opplé GU10 3.2W lamps

Dimmer brand	Model	Type	Max. load	Filament											
				A60 470lm	A60 806lm	G45 250lm	G45 470lm	P45 250lm	P45 470lm	B35 250lm	B35 470lm	ST64 470lm	ST64 806lm	ST64 400lm	ST64 700lm
Busch Jaeger	2247U	RL	500W	1-20	1-20	2-20	1-20	2-20	1-20	2-20	1-20	1-20	1-20	1-20	1-20
Busch Jaeger	2250U	R	600W	1-20	1-20	1-12	1-20	1-12	1-20	1-12	1-20	1-20	1-20	1-20	1-20
Busch Jaeger	6513 U-102	RC	40-420W	1-20	1-20	1-20	1-20	1-20	1-20	1-20	1-20	1-20	1-20	1-20	1-20
Busch Jaeger	6523U	R,L	100W	1-20	1-20	1-20	1-20	1-20	1-20	1-20	1-20	1-20	1-20	1-20	1-20
Busch Jaeger	6523 U-102	R,C	250W	1-20	1-20	1-20	1-20	1-20	1-20	1-20	1-20	1-20	1-20	1-20	1-20
Jung	266 GDE	R	60-600W		1-20	1-20		1-20		1-20			1-20		1-20
Jung	Licht-Management 225 NV DE	RL	100W	1-20	1-20	2-20	1-20	1-20	1-20	1-20	1-20	1-20	1-20	1-20	1-20
Berker	286610	RL	500W	1-20	1-20	2-10	1-20	2-10	1-20	2-10	1-20	1-20	1-20	1-20	1-20
Berker	2819	R	400W	1-20	1-20	1-20	1-20		1-20		1-20	1-20	1-20	1-20	1-20
Berker	283010	R	400W	1-20	1-20	1-12	1-20	1-12	1-20	1-12	1-20	1-20	1-20	1-20	1-20
Wintop	13212	L	300W	1-20	1-20	1-20	1-20	1-20	1-20	1-20	1-20	1-20	1-20	1-20	1-20
Wintop	13512	RC	500W	1-20	1-20	1-20	1-20	1-20	1-20	1-20	1-20	1-20	1-20	1-20	1-20
Gira	1176 00/104	R,L,C	420W	1-20	1-20	1-20	1-20	1-20	1-20	1-20	1-20	1-20	1-20	1-20	1-20
Gira	2262 00/101	R,L	500W	1-20	1-20	2-20	1-20	2-20	1-20	2-20	1-20	1-20	1-20	1-20	1-20
Gira	030200	R	600W	1-20	1-20	1-12	1-20					1-20	1-20	1-20	1-20
Gira	030700	R,C	525W	1-20	1-20	1-20	1-20	1-20	1-20	1-20	1-20	1-20	1-20	1-20	1-20
Druck	8095	RL	400W	1-20	1-20	1-20	1-20	1-20	1-20	1-20	1-20	1-20	1-20	1-20	1-20
NIKO	310-01901	R,L,C,CFLi	325W	1-20	1-20	1-20	1-20	1-20	1-20	1-20	1-20	1-20	1-20	1-20	1-20
PEHA	431 HAN LED		120W/60W (LED)	1-13	1-8	1-13	1-13	1-20	1-20	1-20	1-20	1-13	1-8	1-13	1-8
PEHA	435 HAB		20-525W	1-20	1-20	1-20	1-20	1-20	1-20	1-20	1-20	1-20	1-20	1-20	1-20
merten	MEG5134-0000		4-400W	2-20	2-16	2-20	2-20	1-20	1-20	1-20	1-20	2-20	2-16	2-20	2-16
EFAPPEL	21212		250W/85W (LED)	1-18	1-12	1-20	1-18		1-20		1-20	1-18	1-12	1-18	1-12
EFAPPEL	21214		110W/35W (LED)	1-7	1-5	1-7	1-7	1-12	1-12	1-12	1-12	1-7	1-5	1-7	1-5
EFAPPEL	21215		150W/50W (LED)	2-11	4-7		2-11		1-17		1-17	2-11	4-7	2-11	4-7
EFAPPEL	21216		5-150W (LED)					1-20	1-10	1-20	1-10				
EPV	PAB 315		315W	1-20	2-12	2-20	1-20		1-20		1-20	1-20	2-12	1-20	2-12
Legrand	617 030		40-600W	6-20	7-20	4-20	6-20	4-20	1-20	4-20	1-20	6-20	7-20	6-20	7-20
Panasonic	BS EN 60669-2-1		150W-500W	1-4	5-12		1-4	3-8	1-8	3-8	1-8	1-4	5-12	1-4	5-12
Panasonic	WEG578153		80-500W	1-20	4-20		1-20	3-9	1-9	3-9	1-9	1-20	4-20	1-20	4-20
SIEMENS	5UH8222-3NC01		40W-500W	1-20	1-20	1-20	1-20	3-20	1-20	3-20	1-20	1-20	1-20	1-20	1-20
NVC	EP8D11A BLB5		400W	4-20	2-20	4-20	4-20	4-20	1-20	4-20	1-20	4-20	2-20	4-20	2-20
NIKO	310-02900		200W	1-20	1-20	1-20	1-20	1-20	1-20	1-20	1-20	1-20	1-20	1-20	1-20
Legrand	665714		400W/75W (LED)	1-20	1-10	1-16	1-20	2-20	1-20	2-20	1-20	1-20	1-10	1-20	1-10
Bticino	N4411N		400W/75W (LED)	1-20	1-10	1-16	1-20	2-20	1-20	2-20	1-20	1-20	1-10	1-20	1-10
Feller	40200 LED FMI 61		400W	1-20	1-16	1-20	1-20	1-20	1-20	1-20	1-20	1-20	1-16	1-20	1-16
Feller	40600 RL FIM61		40-600W	1-20	1-20	1-20	1-20	1-20	1-20	1-20	1-20	1-20	1-20	1-20	1-20
Feller	40300 RC FMI 61		20-300W	1-20	1-16	1-20	1-20	1-20	1-20	1-20	1-20	1-20	1-16	1-20	1-16
Feller	40600 RLC FMI 61		20-600W	1-20	1-20	1-20	1-20	1-20	1-20	1-20	1-20	1-20	1-20	1-20	1-20



# Dimming compatibility Level

Compatible	No flicker, no noise
Semi-compatible	No flicker, possible noise
Incompatible	Possible flicker, possible noise
Untested	

Dimmer brand	Model	Type	Max. load	GU10			LED Module Clio GEN2		LED Ceiling Light Apollo	T5 Batten DIM	
				3,2W	5,2W	7,5W	22W	36W	22W	9W	18W
											
Busch Jaeger	2247U	RL	500W	1-10	1-3	1-10	1-4	1-3	1-4	1-6	1-6
Busch Jaeger	2250U	R	600W	1-10	1-5	1-10	1-5	1-3	1-5	1-6	1-5
Busch Jaeger	6513 U-102	RC	40-420W	2-10	1-10	1-10	1-6	1-4	1-6	1-9	1-5
Busch Jaeger	6523U	RL	100W	1-10	1-5	1-10	1-1	1-2	1-1	1-1	1-1
Busch Jaeger	6523 U-102	R,C	250W	1-10	1-10	1-10	1-1	1-1	1-1	1-1	1-1
Jung	266 GDE	R	60-600W	1-10	1-7	1-10	1-4	1-3	1-4	1-6	1-6
Jung	Light-Management 225 HV DE	RL	100W	1-10	1-5	1-10				1-6	1-6
Berker	286610	RL	500W	1-10	1-3		1-4	1-3	1-4	1-6	1-3
Berker	2819	R	400W	1-7	1-4		1-1	1-1	1-1	1-3	1-3
Berker	283010	R	400W	1-10	1-3	1-10	1-2	1-1	1-2	1-3	1-3
Wintop	13212	L	300W				1-2	1-1	1-2	1-2	1-2
Wintop	13512	RC	500W	1-10	1-10	1-10	1-7	1-4	1-7	1-22	1-16
Gira	1176 00/104	R,L,C	420W	1-10	1-10	1-10	1-2	1-2	1-2	1-18	1-12
Gira	2262 00/101	RL	500W	1-10	1-10	1-10	1-5	1-3	1-5	1-6	1-6
Gira	030200	R	600W	1-10	1-3	1-10	1-5	1-3	1-5	1-6	1-6
Gira	030700	R,C	525W	1-10	1-10	1-10	1-5	1-4	1-5	1-23	1-16
Druck	8095	RL	400W	1-10	1-10	1-10	1-2	1-2	1-2	1-3	1-3
NIKO	310-01901	R,L,C,CFLi	325W	1-8	1-13	1-8	1-4	1-3	1-4	1-13	1-9
OPUS	852,397		110W/35W(LED)	1-10	1-6	1-4					
NIKO	310-0190X		5-325W	1-8	1-13	1-10	1-4	1-3	1-4		
PEHA	431 HAN LED		120W/60W(LED)	1-13	1-11	1-7	1-2		1-2		
PEHA	435 HAB		20-525W	1-14	1-20	1-20	1-5	1-5	1-5		
merten	MEG5134-0000		4-400W	1-11	1-17	1-20	1-5	1-3	1-5		
EFAPPEL	21212		250W/85W(LED)	1-20			1-1	1-1	1-1		
EFAPPEL	21214		110W/35W(LED)	1-10							
EFAPPEL	21215		150W/50W(LED)				1-2		1-2		
EFAPPEL	21216		5-150W(LED)								
EPV	PAB 315		315W	1-8	1-13	1-11					
Legrand	617 030		40-600W	2-7			1-2		1-2		
Panasonic	BS EN 60669-2-1		150W-500W	1-4	1-3	1-4	1-1	1-1	1-1		
Panasonic	WEG578153		80-500W	1-4	1-2		1-2	1-1	1-2		
BULL	B6GD100		200W								
SIEMENS	5UH8222-3NC01		40W-500W	1-5		1-4	1-1	1-1	1-1		
NVC	EP8D11A BLB5		400W	1-2	1-2	1-2	1-1	1-1	1-1		
NIKO	310-02900		200W	1-2	1-2	1-2	1-1	1-1	1-1		
Legrand	665714		400W/75W(LED)	1-20	1-14	1-10	1-3	1-2	1-3		
Bticino	N4411N		400W/75W(LED)	1-20	1-14	1-10	1-3	1-2	1-3		
Feller	40200 LED FMI 61		400W	1-11	1-17	1-14	1-5	1-3	1-5		
Feller	40600 RL FIM61		40-600W	1-5	1-7	1-9	1-4	1-2	1-4		
Feller	40300 RC FMI 61		20-300W	1-11	1-17	1-14	1-5	1-3	1-5		
Feller	40600 RLC FMI 61		20-600W	1-8	1-7	1-9	1-4	1-3	1-4		

# Cut-Out conversion list

		Cut-Out Overview													
		Cut-Out (mm)													
		Φ60	Φ68	Φ72	Φ76	Φ80	Φ95	Φ120	Φ125	Φ150	Φ172	Φ175	Φ200	Φ210	
LED Downlight	Performer	LED DL-RC-P HG/MW R150-11.5W (incl DALI/BLE)													
		LED DL-RC-P HG/MW R200-15W (incl DALI/BLE)													
		LED DL-RC-P HG/MW R200-23W (incl DALI/BLE)													
		LED DL-RC-P HG/MW R200-33W (incl DALI/BLE)													
	EcoMax	HZdim	LED DL-RC-HZ DIM R125-7W												
			LED DL-RC-HZ DIM R150-10W												
			LED DL-RC-HZ DIM R175-13W												
	Slim EcoMax	Slim	LED DL-SL-E R150-12W												
			LED DL-SL-E R200-24W												
			LED DL-SL-E Sq150-12W												
	Basic	Basic	LED DL-RC-B Rd150 12W												
			LED DL-RC-B Rd200 22W												
LED Spots	Performer	RA	LED SP-RA-P 30W												
			LED SP-RA-P 45W												
	Swing	RS	LED SP-RS-P20W												
			LED SP-RS-P35W												
	HQ	RA	LED SP-RA-HQ 7W												
			LED SP-RA-HQ 8W												
	EcoMax	RF	LED SP-RF 4.5W												
			LED SP-RF 7W												
	Decorative	Chalice	LED Chalice 4.5W												
			LED Ava 7W												
			LED Ava 9W												

Note: For Downlight Performer, HZ<sup>DIM</sup> en Slim adapter rings are also available.

# Connection specifications

Tables below present the maximum number of luminaires that can be connected on one B16/C16 automate.

Category	Series	Types	DC Input Voltage	Max. units per B16	Max. units per C16	Category	Series	Types	DC Input Voltage	Max. units per B16	Max. units per C16
LED Panel	Grille	11W / 21W / 36W	190-210 V DC	37	62	LED Highbay	Performer G4	80W (DALI/Static)	190-210	11	18
LED Panel	Grille	13W DALI / 21W DALI	186-250 V DC	30	51	LED Highbay	Performer G4	115W (DALI/Static)	190-210	11	18
LED Panel	Grille	36W DALI Sq595	186-250 V DC	37	62	LED Highbay	Performer G4	155W (DALI/Static)	190-210	5	9
LED Panel	Grille	36W DALI Re298	186-250 V DC	24	40	LED Highbay	Performer G4	230W (DALI/Static)	190-210	5	9
Led Panel	Monza	35W	n/a	40	57	LED Waterproof	Performer G2 L653	12.5W / 23W	150 - 300 V DC	66	111
Led Panel	Monza	35W DALI /10W/BLE	n/a	21	35	LED Waterproof	Performer G2 L1263	23W	150 - 300 V DC	58	96
LED Panel	Sydney	35W	n/a	40	57	LED Waterproof	Performer G2 L1263	40W	150 - 300 V DC	66	111
Led Panel	Sydney	35WDALI /10W/BLE	n/a	21	35	LED Waterproof	Performer G2 L1563	27W / 51W	150 - 300 V DC	58	96
LED Panel	Slim Performer	30W / 30W DALI	190 - 210 V DC	16	25	LED Waterproof	Performer G2 L1563	75W / 90W	180 - 260 V DC	6	11
LED Panel	Slim Performer	30W BLE	n/a	16	25	LED Waterproof	Performer G2 L653	13W DALI	n/a	30	51
LED Panel	Slim EcoMax	34W	n/a	11	19	LED Waterproof	Performer G2 L653	24W DALI	n/a	24	40
LED Lima	Lima	15/18W DALI	180-260 V DC	17	28	LED Waterproof	Performer G2 L1263	24W DALI / 45W DALI	n/a	24	40
LED Lima	Lima	30/36W DALI	180-260 V DC	15	26	LED Waterproof	Performer G2 L1563	28W DALI / 55W DALI	n/a	24	40
LED Panel Sus-pended	Zenith	75W DALI	190 - 210 V DC	18	30	LED Waterproof	Performer G2 L1563	75W / 90W	180 - 260 V DC	6	11
LED Panel	Slim Basic	36W	150 - 300 V DC	47	80	LED Waterproof	EcoMax L650	10W	130 - 200 V DC	52	88
LED Downlight	Performer HG/MW	11.5W / 11.5W DALI	200 - 300 V DC	55	92	LED Waterproof	EcoMax L650	23W	190 - 220 V DC	42	70
LED Downlight	Performer HG/MW	15W / 15W DALI	200 - 300 V DC	55	92	LED Waterproof	EcoMax L1250	20W	190 - 220 V DC	44	73
LED Downlight	Performer HG/MW	23W / 23W DALI	200 - 300 V DC	26	43	LED Waterproof	EcoMax L1250	43W	140 - 215 V DC	28	47
LED Downlight	Performer HG/MW	33W / 33W DALI	200 - 300 V DC	26	43	LED Waterproof	EcoMax L1550	29W	140 - 215 V DC	32	54
LED Downlight	HZdim	7W	200 - 300 V DC	181	307	LED Waterproof	EcoMax L1550	57W	140 - 215 V DC	19	33
LED Downlight	HZdim	10W	200 - 300 V DC	126	214	LED Waterproof	Basic	36W	n/a	46	78
LED Downlight	HZdim	13W	200 - 300 V DC	97	164	LED Waterproof	Basic	50W	n/a	67	67
LED Downlight	HZdim	16W	200 - 300 V DC	79	134	LED Trunking	Trunking	35W	180-260 V DC	18	30
LED Downlight	Slim EcoMax	12W	n/a	105	178	LED Trunking	Trunking	35WDALI	180-260 V DC	22	36
LED Downlight	Slim EcoMax	24W	n/a	52	88	LED Trunking	Trunking	50W	180-260 V DC	18	30
LED Downlight	Basic	12W	200 - 300 V DC	168	263	LED Trunking	Trunking	50WDALI	180-260 V DC	14	23
LED Downlight	Basic	22W	200 - 300 V DC	44	74	LED Trunking	Trunking	70W	180-260 V DC	12	20
LED Spot	Performer 3C Compact	25W	250-370 V DC	85	85	LED Trunking	Trunking	70WDALI	180-260 V DC	14	23
LED Spot	Performer 3C Compact	25W	250-370 V DC	55	55	LED T8 Batten	T8 Batten	19W / 38W	150 - 300 V DC	44	74
LED Spot	Performer 3C/RA	30W	200 - 300 V DC	13	22	LED Streetlight	Streetlight	20W / 40W	200 - 300 V DC	29	49
LED Spot	Performer 3C/RA	45W	190 - 210 V DC	9	15	LED Streetlight	Streetlight	65W	190 - 210 V DC	11	18
LED Spot	Performer 3C/RA	30W DALI / 45W DALI	180 - 260 V DC	8	14	LED Flood	LED Flood HO	310W	n/a	2	4
LED Spot	Swing	20W	n/a	101	101	LED Flood	LED Flood HO	620W	n/a	2	3
LED Spot	Swing	35W	n/a	57	57	LED Flood	Performer	90W / 125W / 160W	190 - 210 V DC	11	18
LED Spot	HQ	7W Dim	200 - 300 V DC	181	307	LED Flood	EcoMax	10W / 20W	n/a	62	105
LED Spot	HQ	8W Dim	190 - 210 V DC	240	408	LED Flood	EcoMax	30W	310 V DC	44	74
LED Spot	Ecomax	4.5W	190 - 210 V DC	281	477	LED Flood	EcoMax	50W	310 V DC	27	45
LED Spot	Ecomax	7W	180 - 260 V DC	181	307	LED Flood	EcoMax	70W	310 V DC	19	32
LED Lowbay	Lowbay	30W	190 - 210	17	29	LED Flood	Floodlight 10W	10W	200-300	50	83
LED Lowbay	Lowbay	50W	190-210 V DC	11	19	LED Flood	Floodlight 20W	19W	200-300	110	130
LED Lowbay	Lowbay	80W	180-260 V DC	8	13	LED Flood	Basic	10W	190-270	37	75
						LED Flood	Basic	20W	190-270	16	31
						LED Flood	Basic	30W	190-270	12	24
						LED Flood	Basic	50W	176-264	58	116
						LED Flood	Basic	70W	176-264	25	50
						LED Porchlight	EcoMax	5W / 6W / 8W / 9W	n/a	200	340

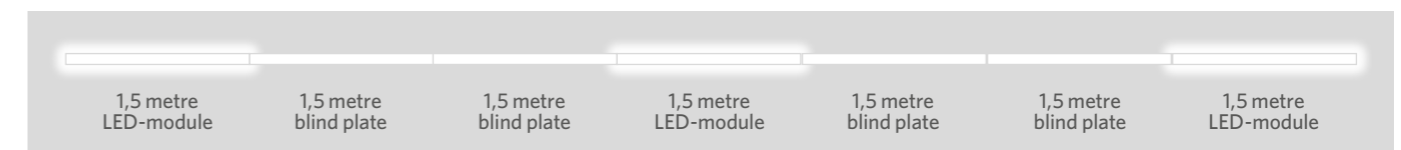
# Trunking - module allocation

PARTS REQUIRED FOR ONE LED-LIGHTLINE WITH 50% LED-module allocation



Trunk length (m)	Number of LED modules	Number of 3m trunks	Number of 3m end trunks	Number of 1.5m end trunks	Number of blind plates	Number of feed-in boxes	Number of end caps	Minimum number of hanging points
1,5	1	0	0	1	0	1	1	2
4,5	2	1	0	1	1	1	1	2
7,5	3	2	0	1	2	1	1	3
10,5	4	3	0	1	3	1	1	4
13,5	5	4	0	1	4	1	1	5
16,5	6	5	0	1	5	1	1	6
19,5	7	6	0	1	6	1	1	7
22,5	8	7	0	1	7	1	1	8
25,5	9	8	0	1	8	1	1	9
28,5	10	9	0	1	9	1	1	10
31,5	11	10	0	1	10	1	1	11
34,5	12	11	0	1	11	1	1	12
37,5	13	12	0	1	12	1	1	13
40,5	14	13	0	1	13	1	1	14

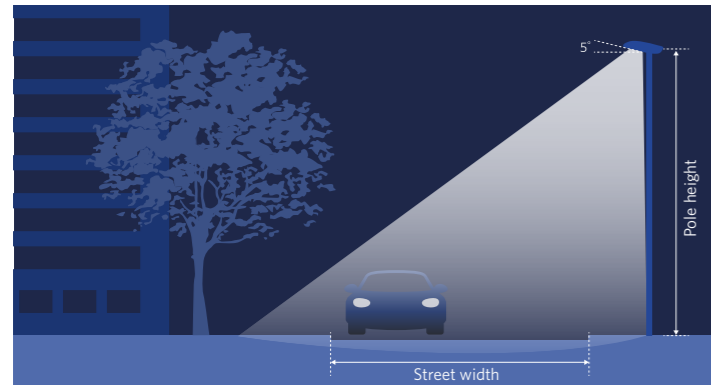
PARTS REQUIRED FOR ONE LED-LIGHTLINE WITH 33% LED-module allocation



Trunk length (m)	Number of LED modules	Number of 3m trunks	Number of 3m end trunks	Number of 1.5m end trunks	Number of blind plates	Number of feed-in boxes	Number of end caps	Minimum number of hanging points
1,5	1	0	0	1	0	1	1	2
6,0	2	1	1	0	2	1	1	3
10,5	3	3	0	1	4	1	1	4
15,0	4	4	1	0	6	1	1	6
19,5	5	6	0	1	8	1	1	7
24,0	6	7	1	0	10	1	1	9
28,5	7	9	0	1	12	1	1	10
33,0	8	10	1	0	14	1	1	12
37,5	9	12	0	1	16	1	1	13
42,0	10	13	1	0	18	1	1	15

# Roadlight - Possible pole distances

## Maximum Pole Distances



Lighting Class according to EN 13201: 2015  
 Lighting Calculation details:  
 • Roadway surface CIE R3 Qo: 0.7  
 • Maintenance factor: 0.8  
 • Arrangement type: single side bottom

All rights reserved. No rights can be derived from the provided information.

### M-Class Roads

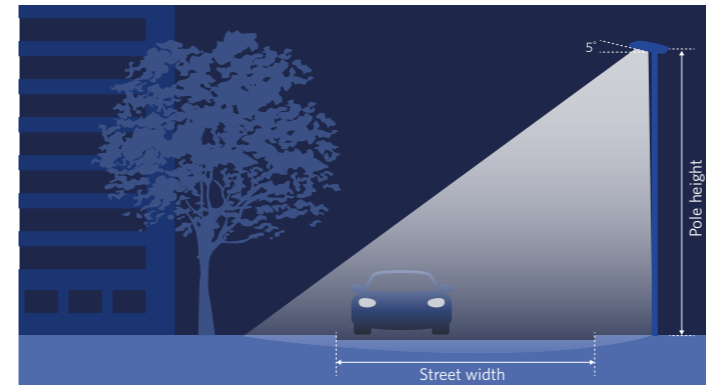
Luminaire	Illuminance Class	Width [m]	Pole distance[m]	Pole height [m]	Boom angle [°]	Light overhang [m]
543014005800 LEDRoadlight-90W-4000-DALI	M3	11	32	8	10	1
		10	34	8	5	1
		9	35	8	10	0,8
		8	35	9	0	0,9
	M4	11	39	9	10	1
		10	40	10	0	0,9
		9	41	10	5	0,9
		8	42	10	5	0,6
543014005700 LEDRoadlight-120W-4000-DALI	M3	11	39	9	10	0,7
		10	40	10	0	1
		9	41	10	0	0,6
		8	42	10	5	0,9
	M4	11	47	11	5	0,7
		10	48	11	10	0,6
		9	49	12	0	0,9
		8	51	12	5	0,9

M-class = main road

Luminaire	Illuminance Class	Width [m]	Pole distance[m]	Pole height [m]	Boom angle [°]	Light overhang [m]
543014005600 LEDRoadlight-150W-4000-DALI	M3	11	45	11	0	0,9
		10	46	11	5	0,8
		9	47	11	5	0,8
		8	48	11	10	0,3
	M4	11	54	13	0	1
		10	55	13	5	1
		9	55	13	10	0,4
		8	57	14	0	1
543014005500 LEDRoadlight-200W-4000-DALI	M3	11	52	12	10	0,9
		10	54	13	0	1
		9	55	13	5	1
		8	55	13	5	0,7
	M4	11	62	15	0	0,7
		10	64	15	5	0,9
		9	64	15	5	0,2
		8	65	15	10	0

# Streetlight - Possible pole distances

## Maximum Pole Distances



Lighting Class according to EN 13201: 2015  
 Lighting Calculation details:  
 • Roadway surface CIE R3 Qo: 0.7  
 • Maintenance factor: 0.8  
 • Arrangement type: single side bottom

All rights reserved. No rights can be derived from the provided information.

### M-Class Roads

Luminaire	Illuminance Class	Street width [m]	Maximum pole distance[m]	Pole height [m]	Boom angle [°]	Light overhang [m]
140065922- LEDStreetlight 20W-4000K-SE	M5	4	26	5	5	0,1
		5	24	5	5	0,3
		6	22	5	5	0,4
		4	35	7	5	0,2
	M6	5	34	6,5	5	0,1
		6	32	6,5	5	0,5
		4	37	7,5	5	0,4
		5	36	7	5	0,2
140066385- LEDStreetlight 40W-4000K-SE	M5	6	34	7	5	0,4
		4	49	10	5	0,5
		5	48	9,5	5	0,1
		6	46	9,5	5	0,5
	M4	5	34	8,5	5	0,3
		6	33	8,5	5	0,4
		7	32	8	5	0,4
		8	30	8	5	0,5
543014002700- LEDStreetlight 65W-4000K-SE	5	47	10	5	0,3	
	6	46	9,5	5	0,3	
	7	44	9,5	5	0,5	
	8	41	9,5	5	0,5	

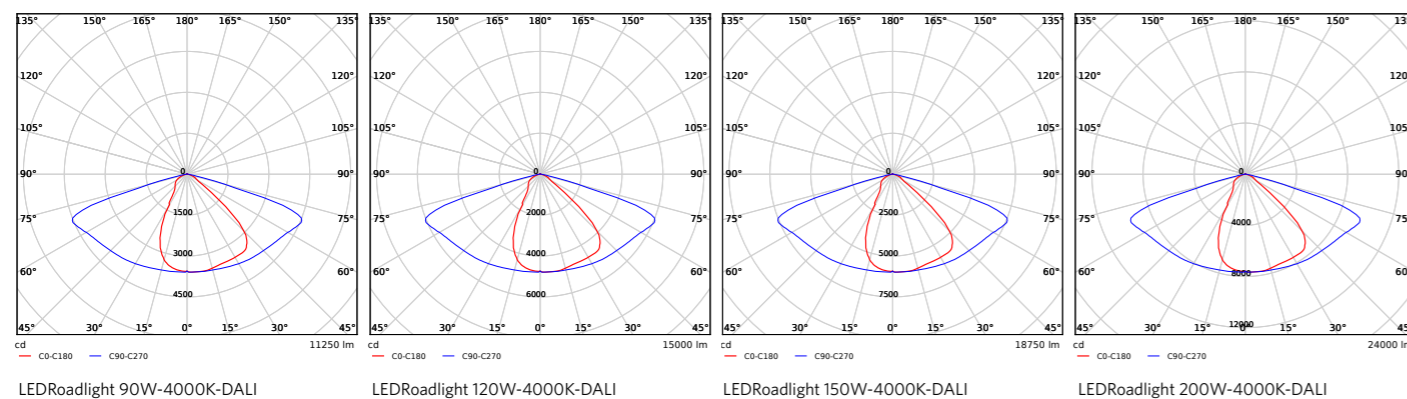
M-class = main road

### P-Class Roads

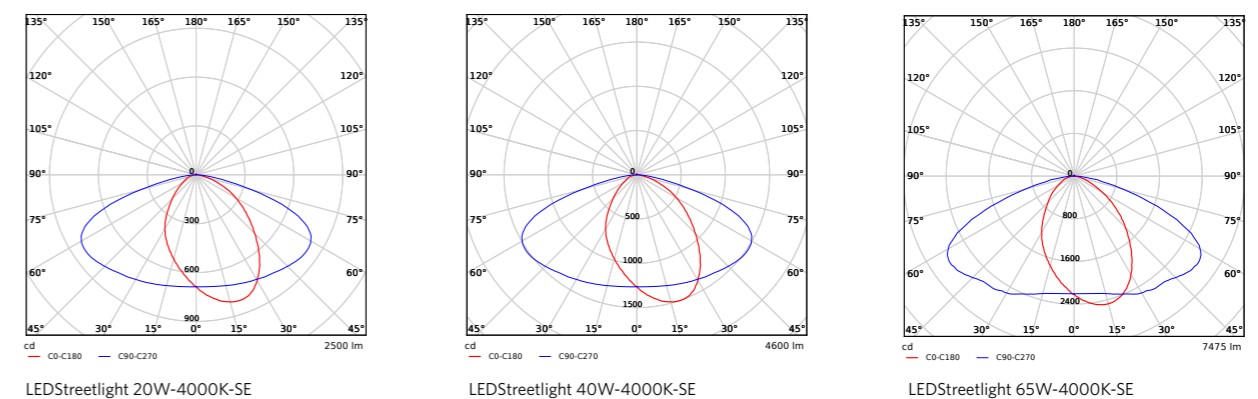
Luminaire	Illuminance Class	Street width [m]	Maximum pole distance[m]	Pole height [m]	Boom angle [°]	Light overhang [m]
140065922- LEDStreetlight 20W-4000K-SE	P2	3	24	4,5	5	0
		4	23	4	5	0
		5	23	4	5	0,5
		6	20	4	5	0,3
	P4	3	35	6,5	5	0,5
		4	35	6,5	5	0,3
		5	34	6	5	0,1
		6	33	6	5	0,5
140066385- LEDStreetlight 40W-4000K-SE	P2	3	32	6	5	0,4
		4	32	6,5	5	0,5
		5	32	6	5	0,2
		6	31	5,5	5	0,2
	P4	3	47	9	5	0,1
		4	47	9	5	0,3
		5	46	9	5	0,5
		6	46	8,5	5	0,3
543014002700- LEDStreetlight 65W-4000K-SE	P2	4	43	8,5	5	0,3
		5	42	8	5	0,1
		6	41	8,5	5	0,3
		7	41	8	5	0,5

P-class = pedestrian road

## Polar Diagrams



## Polar Diagrams

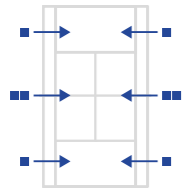




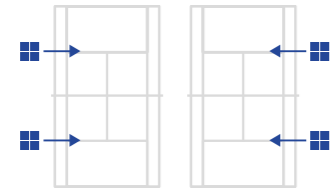
# LED Flood HO - Configuration examples

## TENNIS

### Class II

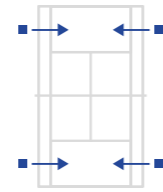


COMPETITION  
SINGLE FIELD  
4 X 1X 310W  
2 X 1X 620W  
POLE HEIGHT: 8M

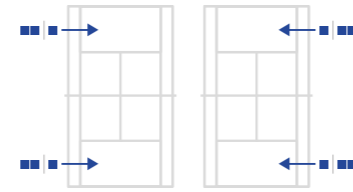


COMPETITION  
DOUBLE FIELD  
4 X 1240W  
POLE HEIGHT: 11M

### Class III



TRAINING  
SINGLE FIELD  
4 X 310W  
POLE HEIGHT: 8M



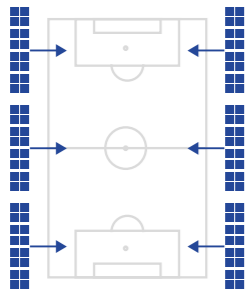
TRAINING  
DOUBLE FIELD  
4 X 310W + 620W  
POLE HEIGHT: 11M

### EN 12193-standard for a tennis court

	class II	class III
Average light intensity	300 lx	200 lx
Light homogeneity	0.7	0.6
Colour rendering	60	20

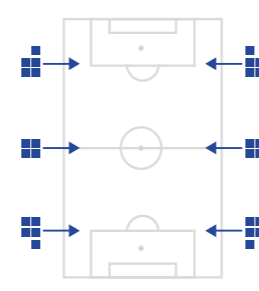
## SOCCER

### Class II



COMPETITION  
PLAYING FIELD  
4 X 4X 1240W  
2 X 3X 1240W  
POLE HEIGHT: 18M

### Class III



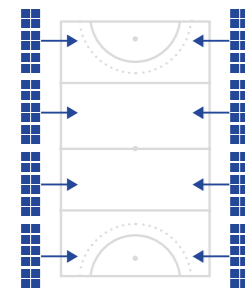
TRAINING  
PLAYING FIELD  
4 X 1 X 1240W  
+ 1 X 310W  
2 X 1 X 1240W  
POLE HEIGHT: 21M

### EN 12193 standard for a soccer pitch

	class II	class III
Average light intensity	200 lx	75 lx
Light homogeneity	0.6	0.5
Colour rendering	60	20

## HOCKEY

### Class II



HOCKEY  
PLAYING FIELD  
8 X 3X 1240W  
POLE HEIGHT: 18M

The calculations are indicative and not binding in any way. Please contact us for a calculation tailored to your exact situation.

### EN 12193 standard for a hockey pitch

	class II	class III
Average light intensity	250 lx	200 lx
Light homogeneity	0.7	0.7
Colour rendering	60	20

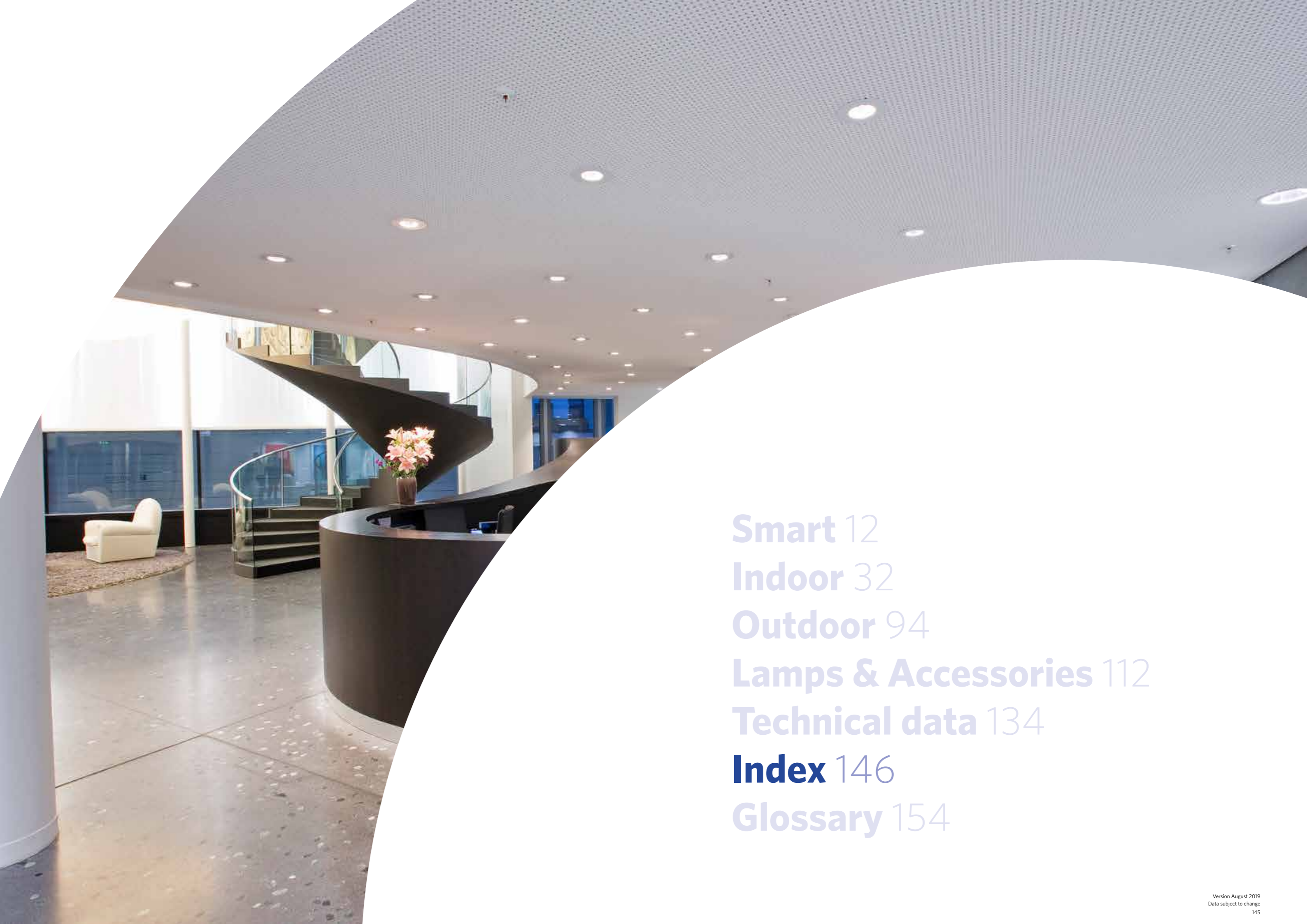
## HOW TO READ THE TABLES?

The table describes the requirements of the EN12193 standard for each sports field in terms of light intensity and colour rendering. For example, a football pitch for competition use (class II) requires a minimum of 200 lux on average, with a homogeneity of 0.6 and colour rendering of at least 60. A training field (class III) requires uniform light distribution at 75 lux as a minimum and colour rendering of at least 60.

## HOW MANY LED-MODULES DO YOU NEED?

These examples are based on the standards for football pitches, hockey pitches and tennis courts. Obviously, other field sports can also be illuminated with OPPLÉ's LED Flood HO sports field lighting system. Our service desk can tell you exactly which lighting standard applies to each specific type of sports field. Feel free to contact one of our advisers in order to specify the LED lighting package you require.

**Call us on our service number: +31 88 056 7888. We look forward to assisting you.**



**Smart** 12  
**Indoor** 32  
**Outdoor** 94  
**Lamps & Accessories** 112  
**Technical data** 134  
**Index** 146  
**Glossary** 154

# Index

Code	Description	Power (W)	Lumen	UGR	CCT (K)	Page
140043898	LED E T5 batten 600 9W 800lm 3000K CT	9	800		3000K	76-77
140043899	LED E T5 batten 600 9W 800lm 4000K CT	9	800		4000K	76-77
140043900	LED E T5 batten 1200 18W 1600lm 3000K CT	18	1600		3000K	76-77
140043901	LED E T5 batten 1200 18W 1600lm 4000K CT	18	1600		4000K	76-77
140043902	LED E T5 batten 900 11W 5 3000K BL	11	950		3000K	78-79
140043903	LED E T5 batten 600 9W 5 3000K BL	9	800		3000K	78-79
140043904	LED E T5 batten 300 4.5W 5 3000K BL	5	400		3000K	78-79
140043967	LEDPanelRc-G Sq598-36W-3000-WH-CT	36	3800	16	3000K	32-33
140043968	LEDPanelRc-G Sq598-36W-4000-WH-CT	36	4050	16	4000K	32-33
140043969	LEDPanelRc-G Sq298-11W-3000-WH-CT	11	1050	16	3000K	32-33
140043970	LEDPanelRc-G Sq298-11W-4000-WH-CT	11	1090	16	4000K	32-33
140043971	LEDPanelRc-G Re298-36W-3000-WH-CT	36	3800	16	3000K	32-33
140043972	LEDPanelRc-G Re298-36W-4000-WH-CT	36	4050	16	4000K	32-33
140043973	LEDPanelRc-G Re166-21W-3000-WH-CT	21	2000	16	3000K	32-33
140043974	LEDPanelRc-G Re166-21W-4000-WH-CT	21	2090	16	4000K	32-33
140044054	LEDPanelRc-G Sq598-Surface Module-CT					32-33
140044055	LEDPanelRc-G Re298-Surface Module-CT					32-33
140044056	LEDPanelRc-G Sq298-Surface Module-CT					32-33
140044057	LEDPanelRc-G Re166-Surface Module-CT					32-33
140044075	LED E T5 batten 900 11W 5 4000K BL	11	950		4000K	78-79
140044076	LED E T5 batten 600 9W 5 4000K BL	9	800		4000K	78-79
140044077	LED E T5 batten 300 4.5W 5 4000K BL	5	400		4000K	78-79
140044080	LEDSpotRA-HQ 7W-Dim-3000-40D-AL-CT	7	420	16	3000K	66-67
140044084	LEDSpotRA-HQ 7W-Dim-4000-40D-AL-CT	7	450	16	4000K	66-67
140044096	LEDSpotRA-HQ 7W-Dim-3000-40D-WH-CT	7	420	16	3000K	66-67
140044100	LEDSpotRA-HQ 7W-Dim-4000-40D-WH-CT	7	450	16	4000K	66-67
140044292	LED E T5 batten 1200 13W 5 4000K BL	13	1200		4000K	78-79
140044293	LED E T5 batten 1200 13W 5 3000K BL	13	1200		3000K	78-79
140044419	LEDSpotRA-HQ 7W-Dim-2700-40D-AL-CT	7	400	16	2700K	66-67
140044423	LEDSpotRA-HQ 7W-Dim-2700-40D-WH-CT	7	400	16	2700K	66-67
140046181	LEDPanelRc-G Sq598-36W-DALI-3000-WH-CT	36	3450	16	3000K	32-33
140046182	LEDPanelRc-G Sq598-36W-DALI-4000-WH-CT	36	3690	16	4000K	32-33
140046183	LEDPanelRc-G Sq298-13W-DALI-3000-WH-CT	13	930	16	3000K	32-33
140046184	LEDPanelRc-G Sq298-13W-DALI-4000-WH-CT	13	990	16	4000K	32-33
140046185	LEDPanelRc-G Re298-36W-DALI-3000-WH-CT	36	3450	16	3000K	32-33
140046186	LEDPanelRc-G Re298-36W-DALI-4000-WH-CT	36	3690	16	4000K	32-33
140046187	LEDPanelRc-G Re166-21W-DALI-3000-WH-CT	21	1800	16	3000K	32-33
140046188	LEDPanelRc-G Re166-21W-DALI-4000-WH-CT	21	1900	16	4000K	32-33
140049619	LED HRS 7W Dim 2700K 30D Ava MW CT	7	310		2700K	68-69
140049621	LED HRS 7W Dim 2700K 30D Ava BA CT	7	310		2700K	68-69
140049625	LED HRS 9W Dim 2700K 30D Ava MW CT	9	430		2700K	68-69
140049627	LED HRS 9W Dim 2700K 30D Ava BA CT	9	430		2700K	68-69
140051474	LEDDownlightRc-HZ R125-7W-Dim-3000-WH	7	600		3000K	52-53
140051475	LEDDownlightRc-HZ R125-7W-Dim-4000-WH	7	600		4000K	52-53
140051476	LEDDownlightRc-HZ R150-10W-Dim-3000-WH	10	900		3000K	52-53
140051477	LEDDownlightRc-HZ R150-10W-Dim-4000-WH	10	900		4000K	52-53
140051478	LEDDownlightRc-HZ R175-13W-Dim-3000-WH	13	1200		3000K	52-53
140051479	LEDDownlightRc-HZ R175-13W-Dim-4000-WH	13	1200		4000K	52-53
140051480	LEDDownlightRc-HZ R200-16W-Dim-3000-WH	16	1500		3000K	52-53
140051481	LEDDownlightRc-HZ R200-16W-Dim-4000-WH	16	1500		4000K	52-53
140053150	LEDPanelRc-SI-E Mounting-Springs					36-37, 40-43

Code	Description	Power (W)	Lumen	UGR	CCT (K)	Page
140054053	LEDPanelSp-Z L1222-75W-DALI-3000-AL	75	7200	19	3000K	46-47
140054054	LEDPanelSp-Z L1222-75W-DALI-4000-AL	75	7200	19	4000K	46-47
140054076	LEDspotRF-E 4.5W-2700-36D-AL-CT	5	330		2700K	70-71
140054077	LEDspotRF-E 4.5W-4000-36D-AL-CT	5	350		4000K	70-71
140054078	LEDspotRF-E 4.5W-2700-36D-WH-CT	5	330		2700K	70-71
140054079	LEDspotRF-E 4.5W-4000-36D-WH-CT	5	350		4000K	70-71
140054439	LEDspot3C-P 30W-3000-40D-WH	30	2400		3000K	60-61
140054443	LEDspot3C-P 30W-3000-40D-BL	30	2400		3000K	60-61
140054447	LEDspot3C-P 30W-4000-40D-WH	30	2550		4000K	60-61
140054451	LEDspot3C-P 30W-4000-40D-BL	30	2550		4000K	60-61
140054455	LEDspotRA-P 30W-3000-40D-WH	30	2400	19	3000K	64-65
140054459	LEDspotRA-P 30W-4000-40D-WH	30	2550	19	4000K	64-65
140055365	LEDPanel-SI-E-Suspension-Kit					36-37, 40-43
140055457	LEDspotRF-E 7W-2700-36D-AL	7	510		2700K	70-71
140055458	LEDspotRF-E 7W-4000-36D-AL	7	530		4000K	70-71
140055459	LEDspotRF-E 7W-2700-36D-WH	7	510		2700K	70-71
140055460	LEDspotRF-E 7W-4000-36D-WH	7	530		4000K	70-71
140055484	LEDPanelRc-SI Sq600-Surface-Module-WH-CT					38-43
140056557	LEDDownlightRc-SI-E Rd150-12W-3000-WH	12	1020		3000K	54-55
140056558	LEDDownlightRc-SI-E Rd150-12W-4000-WH	12	1020		4000K	54-55
140056559	LEDDownlightRc-SI-E Rd200-24W-3000-WH	24	2040		3000K	54-55
140056560	LEDDownlightRc-SI-E Rd200-24W-4000-WH	24	2040		4000K	54-55
140056561	LEDDownlightRc-SI-E Sq150-12W-3000-WH	12	1020		3000K	54-55
140056562	LEDDownlightRc-SI-E Sq150-12W-4000-WH	12	1020		4000K	54-55
140056563	LEDDownlightRc-SI-E Sq200-24W-3000-WH	24	2040		3000K	54-55
140056564	LEDDownlightRc-SI-E Sq200-24W-4000-WH	24	2040		4000K	54-55
140056692	LED P T8 Uni 1200 16.5W 100pct 3000K CT	17	2000		3000K	122-123
140056693	LED P T8 Uni 1200 16.5W 100pct 4000K CT	17	2000		4000K	122-123
140056694	LED P T8 Uni 1200 16.5W 100pct 6500K CT	17	2000		6500K	122-123
140056695	LED P T8 Uni 1500 24.5W 100pct 3000K CT	25	3000		3000K	122-123
140056696	LED P T8 Uni 1500 24.5W 100pct 4000K CT	25	3000		4000K	122-123
140056697	LED P T8 Uni 1500 24.5W 100pct 6500K CT	25	3000		6500K	122-123
140057152	LEDDownlightRc-P-HG R200-15W-3000	15	1600	19	3000K	48-49
140057153	LEDDownlightRc-P-HG R200-15W-4000	15	1660	19	4000K	48-49
140057154	LEDDownlightRc-P-HG R150-11.5W-3000	12	1150	19	3000K	48-49
140057155	LEDDownlightRc-P-HG R150-11.5W-4000	12	1200	19	4000K	48-49
140057156	LEDDownlightRc-P-HG R200-23W-3000	23	2350	19	3000K	48-49
140057157	LEDDownlightRc-P-HG R200-23W-4000	23	2400	19	4000K	48-49
140057158	LEDDownlightRc-P-HG R200-33W-3000	33	3360	22	3000K	48-49
140057159	LEDDownlightRc-P-HG R200-33W-4000	33	3500	22	4000K	48-49
140057160	LEDDownlightRc-P-HG R200-15W-DALI-3000	15	1600	19	3000K	48-49
140057161	LEDDownlightRc-P-HG R200-15W-DALI-4000	15	1660	19	4000K	48-49
140057162	LEDDownlightRc-P-HG R150-11.5W-DALI-3000	12	1150	19	3000K	48-49
140057163	LEDDownlightRc-P-HG R150-11.5W-DALI-4000	12	1200	19	4000K	48-49
140057164	LEDDownlightRc-P-HG R200-23W-DALI-3000	23	2350	19	3000K	48-49
140057165	LEDDownlightRc-P-HG R200-23W-DALI-4000	23	2400	19	4000K	48-49
140057166	LEDDownlightRc-P-HG R200-33W-DALI-3000	33	3360	22	3000K	48-49
140057167	LEDDownlightRc-P-HG R200-33W-DALI-4000	33	3500	22	4000K	48-49
140057168	LEDDownlightRc-P-MW R200-15W-3000	15	1600	19	3000K	50-51
140057169	LEDDownlightRc-P-MW R200-15W-4000	15	1660	19	4000K	50-51
140057170	LEDDownlightRc-P-MW R150-11.5W-3000	12	1150	22	3000K	50-51

Code	Description	Power (W)	Lumen	UGR	CCT (K)	Page
140057171	LEDDownlightRc-P-MW R150-11.5W-4000	12	1200	22	4000K	50-51
140057172	LEDDownlightRc-P-MW R200-23W-3000	23	2350	22	3000K	50-51
140057173	LEDDownlightRc-P-MW R200-23W-4000	23	2400	22	4000K	50-51
140057174	LEDDownlightRc-P-MW R200-33W-3000	33	3360	22	3000K	50-51
140057175	LEDDownlightRc-P-MW R200-33W-4000	33	3500	22	4000K	50-51
140057176	LEDDownlightRc-P-MW R200-15W-DALI-3000	15	1600	19	3000K	50-51
140057177	LEDDownlightRc-P-MW R200-15W-DALI-4000	15	1660	19	4000K	50-51
140057178	LEDDownlightRc-P-MW R150-11.5W-DALI-3000	12	1150	22	3000K	50-51
140057179	LEDDownlightRc-P-MW R150-11.5W-DALI-4000	12	1200	22	4000K	50-51
140057180	LEDDownlightRc-P-MW R200-23W-DALI-3000	23	2350	22	3000K	50-51
140057181	LEDDownlightRc-P-MW R200-23W-DALI-4000	23	2400	22	4000K	50-51
140057182	LEDDownlightRc-P-MW R200-33W-DALI-3000	33	3360	22	3000K	50-51
140057183	LEDDownlightRc-P-MW R200-33W-DALI-4000	33	3500	22	4000K	50-51
140057384	LEDWaterproof-E L650-10W-4000-FR	10	1000		4000K	86-87
140057385	LEDWaterproof-E L650-23W-4000-FR	23	2100		4000K	86-87
140057386	LEDWaterproof-E L1250-20W-4000-FR	20	2000		4000K	86-87
140057387	LEDWaterproof-E L1250-43W-4000-FR	43	3900		4000K	86-87
140057388	LEDWaterproof-E L1550-29W-4000-FR	29	2900		4000K	86-87
140057389	LEDWaterproof-E L1550-57W-4000-FR	57	5200		4000K	86-87
140057770	LEDPanelRc-SI-Mounting-Springs-595					38-39
140057864	LEDWaterproof-P2 L653-12.5W-4000	13	1375		4000K	84-85
140057865	LEDWaterproof-P2 L653-23W-4000	23	2530		4000K	84-85
140057866	LEDWaterproof-P2 L1263-23W-4000	23	2530		4000K	84-85
140057867	LEDWaterproof-P2 L1263-40W-4000	40	4400		4000K	84-85
140057868	LEDWaterproof-P2 L1563-27W-4000	27	2970		4000K	84-85
140057869	LEDWaterproof-P2 L1563-51W-4000	51	5610		4000K	84-85
140057870	LEDWaterproof-P2 L653-13W-DALI-4000	13	1430		4000K	84-85
140057871	LEDWaterproof-P2 L653-24W-DALI-4000	24	2640		4000K	84-85
140057872	LEDWaterproof-P2 L1263-24W-DALI-4000	24	2640		4000K	84-85
140057873	LEDWaterproof-P2 L1263-45W-DALI-4000	45	4950		4000K	84-85
140057874	LEDWaterproof-P2 L1563-28W-DALI-4000	28	3080		4000K	84-85
140057875	LEDWaterproof-P2 L1563-55W-DALI-4000	55	6050		4000K	84-85
140058060	LED HRS 7W Dim 2700K 30D Ava IP44 BA	7	330		2700K	68-69
140058061	LED HRS 7W Dim 2700K 30D Ava IP44 MW	7	330		2700K	68-69
140058165	LEDWaterproof-E L1550-57W-6500-FR	57	5400		6500K	86-87
140058166	LEDWaterproof-P2 L1563-51W-6500	51	5610		6500K	84-85
140058167	LEDWaterproof-P2 L1563-55W-DALI-6500	55	6050		6500K	84-85
140058472	LEDspot3C-P 45W-3000-36D-WH	45	3375		3000K	60-61
140058476	LEDspot3C-P 45W-3000-36D-BL	45	3375		3000K	60-61
140058480	LEDspot3C-P 45W-4000-36D-WH	45				



Code	Description	Power (W)	Lumen	UGR	CCT (K)	Page	Code	Description	Power (W)	Lumen	UGR	CCT (K)	Page
140063612	LEDDownlightRc-P-HG R150-11.5W-BLE-4000	12	1200	19	4000K	20-21, 27, 48-49	500010000600	LED-E-P45-FILA-E14-2.8W-2700K-CL	3	250		2700K	116-117
							500010000700	LED-E-P45-FILA-E14-4.5W-DIM-2700K-FR	5	470		2700K	116-117
140063613	LEDDownlightRc-P-HG R200-15W-BLE-3000	15	1600	19	3000K	20-21, 27, 48-49	500010000800	LED-E-G45-FILA-E27-2.8W-DIM-2700K-FR	3	250		2700K	116-117
							500010000900	LED-E-G45-FILA-E27-4.5W-DIM-2700K-CL	5	470		2700K	116-117
140063614	LEDDownlightRc-P-HG R200-15W-BLE-4000	15	1660	19	4000K	20-21, 27, 48-49	500010001000	LED-E-A60-FILA-E27-7W-DIM-2700K-CL	7	806		2700K	112-113
							500010001100	LED-E-A60-FILA-E27-4.5W-DIM-2700K-CL	5	470		2700K	112-113
140063615	LEDDownlightRc-P-HG R200-23W-BLE-3000	23	2350	19	3000K	20-21, 27, 48-49	500010001200	LED-E-A60-FILA-E27-7W-DIM-2700K-FR	7	806		2700K	112-113
							500010001300	LED-E-A60-FILA-E27-4.5W-DIM-4000K-FR	5	470		4000K	112-113
140063616	LEDDownlightRc-P-HG R200-23W-BLE-4000	23	2400	19	4000K	20-21, 27, 48-49	500010001400	LED-E-A60-FILA-E27-4W-2700K-CL	4	470		2700K	112-113
							500010001500	LED-E-A60-FILA-E27-7W-2700K-CL	7	806		2700K	112-113
140063617	LEDDownlightRc-P-HG R200-33W-BLE-3000	33	3360	22	3000K	20-21, 27, 48-49	500010001600	LED-E-G45-FILA-E27-4.5W-DIM-2700K-FR	5	470		2700K	116-117
							500010001700	LED-E-P45-FILA-E14-4.5W-DIM-2700K-CL	5	470		2700K	116-117
140063618	LEDDownlightRc-P-HG R200-33W-BLE-4000	33	3500	22	4000K	20-21, 27, 48-49	500010001800	LED-E-P45-FILA-E14-4W-2700K-CL	4	470		2700K	116-117
							500010001900	LED-E-A60-FILA-E27-4.5W-DIM-2700K-FR	5	470		2700K	112-113
140063619	LEDDownlightRc-P-MW R150-11.5W-BLE-3000	12	1150	19	3000K	20-21, 28, 50-51	500010002000	LED-E-G45-FILA-E27-2.8W-2700K-CL	3	250		2700K	116-117
							50001000100	LED-E-B35-FILA-E14-4.5W-DIM-2700K-FR	5	470		2700K	114-115
140063620	LEDDownlightRc-P-MW R150-11.5W-BLE-4000	12	1200	19	4000K	20-21, 28, 50-51	500010002200	LED-E-B35-FILA-E14-4.5W-DIM-2700K-CL	5	470		2700K	114-115
							500010003000	LED-E-B35-FILA-E14-4W-2700K-CL	4	470		2700K	114-115
140063621	LEDDownlightRc-P-MW R200-15W-BLE-3000	15	1600	19	3000K	20-21, 28, 50-51	500010004000	LED-E-B35-FILA-E14-2.8W-DIM-2700K-FR	3	250		2700K	114-115
							500010005000	LED-E-B35-FILA-E14-2.8W-2700K-CL	3	250		2700K	114-115
140063622	LEDDownlightRc-P-MW R200-15W-BLE-4000	15	1660	19	4000K	20-21, 28, 50-51	500012000100	LED-E-ST64-FILA-E27-7W-DIM-2700K-CL	7	806		2700K	118-119
							500012000200	LED-E-ST64-FILA-E27-4.5W-DIM-2200K-CL	5	400		2200K	118-119
140063623	LEDDownlightRc-P-MW R200-23W-BLE-3000	23	2350	19	3000K	20-21, 28, 50-51	500012000300	LED-E-ST64-FILA-E27-4.5W-DIM-2700K-CL	5	470		2700K	118-119
							500012000400	LED-E-ST64-FILA-E27-7W-DIM-2200K-CL	7	700		2200K	118-119
140063624	LEDDownlightRc-P-MW R200-23W-BLE-4000	23	2400	19	4000K	20-21, 28, 50-51	506006003100	LEDSmart-Relay-500W					20-21
							520020000100	LED HC300 12W 2700K Apollo III	12	1000		2700K	72-73
140063625	LEDDownlightRc-P-MW R200-33W-BLE-3000	33	3360	22	3000K	20-21, 28, 50-51	520020000200	LED HC300 12W 4000K Apollo III	12	1100		4000K	72-73
							520021000300	LED HC350 16W 2700K IP44 Apollo III	16	1300		2700K	72-73
140063626	LEDDownlightRc-P-MW R200-33W-BLE-4000	33	3500	22	4000K	20-21, 28, 50-51	520021000400	LED HC350 16W 4000K IP44 Apollo III	16	1400		4000K	72-73
							520021000700	LED HC350 22W DIM 2700K IP44 Apollo	22	1500		2700K	72-73
140063683	LEDSpotRA-P 30W-3000-40D-WH-DALI	30	2400	19	3000K	64-65	520021000800	LED HC350 22W DIM 4000K IP44 Apollo	22	1600		4000K	72-73
140063687	LEDSpotRA-P 30W-4000-40D-WH-DALI	30	2550	19	4000K	64-65	520098000200	LED Apollo HC300 bracket					72-73
140063707	LEDSpotRA-P 45W-3000-36D-WH-DALI	45	3375	19	3000K	64-65	520098001800	LED Apollo HC350 bracket					72-73
140063711	LEDSpotRA-P 45W-4000-36D-WH-DALI	45	3600	19	4000K	64-65	5400001000400	LEDDownlightRc-B Rd200-22W-4000-WH	22	1870	22	4000K	56-57
140064477	LEDPorch-E Re120-5W-3000K-WH	5	450		3000K	108-109	5400001000500	LEDDownlightRc-B Rd150-12W-4000-WH	12	960	22	4000K	56-57
140064478	LEDPorch-E Re120-5W-4000K-WH	5	500		4000K	108-109	5400001023700	LEDDownlightRc-B Rd200-22W-3000-WH	22	1800	22	3000K	56-57
140064479	LEDPorch-E Re120-6W-3000K-MD-WH	6	480		3000K	108-109	5400001023800	LEDDownlightRc-B Rd150-12W-3000-WH	12	930	22	3000K	56-57
140064480	LEDPorch-E Re120-6W-4000K-MD-WH	6	510		4000K	108-109	5400001027800	LEDDownlightRc-B Rd150-12W-6500-WH	12	930	/	6500	56-57
140064481	LEDPorch-E Re120-8W-3000K-WH	8	720		3000K	108-109	5400001027900	LEDDownlightRc-B Rd200-22W-6500-WH	22	1800	/	6500	56-57
140064482	LEDPorch-E Re120-8W-4000K-WH	8	800		4000K	108-109	540000102600	LEDSpot3C-C-P 35W-4000-36D-BL	35	3150		4000K	58-59
140064483	LEDPorch-E Re120-9W-3000K-MD-WH	9	765		3000K	108-109	540000102700	LEDSpot3C-C-P 25W-3000-36D-BL	25	2125		3000K	58-59
140064484	LEDPorch-E Re120-9W-4000K-MD-WH	9	810		4000K	108-109	540000102800	LEDSpot3C-C-P 35W-3000-36D-BL	35	2975		3000K	58-59
140065060	LEDFlood-E-Motion-Daylight-Sensor					102-107	540010053000	LEDSpot3C-C-P 25W-4000-36D-BL	25	2250		4000K	58-59
140065922	LEDStreetlight 20W-4000K-SE	20	2500		4000K	96-97	5400001053300	LEDSpot3C-C-P 35W-4000-36D-WH	35	3150		4000K	58-59
140066204	LED E C module 22W DIM 2700K Clio CT	22	1800		2700K	128-129	5400001053500	LEDSpot3C-C-P 35W-3000-36D-WH	35	2975		3000K	58-59
140066205	LED E C module 22W DIM 4000K Clio CT	22	2000		4000K	128-129	5400001053700	LEDSpot3C-C-P 25W-4000-36D-WH	25	2250		4000K	58-59
140066206	LED E C module 36W DIM 2700K Clio CT	36	2800		2700K	128-129	5400001053900	LEDSpot3C-C-P 25W-3000-36D-WH	25	2125		3000K	58-59
140066207	LED E C module 36W DIM 4000K Clio CT	36	3000		4000K	128-129	5400001067800	LEDSpotRS -P 20W-3000-60D-WH	20	1800		3000K	62-63
140066385	LEDStreetlight 40W-4000K-SE	40	4600		4000K	96-97	5400001067900	LEDSpotRS -P 20W-4000-60D-WH	20	2000		4000K	62-63
140066573	LED E C module 12W 2700K Clio CT	12	1000		2700K	128-129	5400001068200	LEDSpotRS -P 35W-3000-60D-WH	35	3150		3000K	62-63
140066574	LED E C module 12W 4000K Clio CT	12	1100		4000K	128-129	5400001068300	LEDSpotRS -P 35W-4000-60D-WH	35	3500		4000K	62-63
140066575	LED E C module 16W 2700K Clio CT	16	1400		2700K	128-129	542003015200	LEDPanelRc-Mo Sq595-35W-DALI-3000-WH-U19	35	3800	19	3000K	34-35
140066576	LED E C module 16W 4000K Clio CT	16	1600		4000K	128-129	542003015300	LEDPanelRc-Mo Sq595-35W-DALI-4000-WH-U19	35	4000	19	4000K	34-35
140066707	LEDPanelRc-S-B Sq595-36W-4000-WH-U19	36	3240	19	4000K	42-43	542003015600	LEDPanelRc-Mo Sq595-35W-BLE-3000-WH-U19	35	3800	19	3000K	20-22, 34-35
140067185	LEDPanelRc-S-B Sq595-36W-4000-WH	36	3240	22	4000K	42-43							
500010000400	LED-E-A60-FILA-E27-7W-DIM-4000K-FR	7	806		4000K	112-113	542003015700	LEDPanelRc-Mo Sq595-35W-BLE-4000-WH-U19	35	4000	19	4000K	20-22, 34-35
500010000500	LED-E-P45-FILA-E14-2.8W-DIM-2700K-FR	3	250		2700K	116-117							

Code	Description	Power (W)	Lumen	UGR	CCT (K)	Page	Code	Description	Power (W)	Lumen	UGR	CCT (K)	Page
542003016000	LEDPanelRc-Mo Sq595-35W-10V-3000-WH-U19	35	3800	19	3000K	34-35	542005006400	LEDTrunking Module L15-70W-4000-60	70	11200		4000K	90-91
542003016000	LEDPanelRc-Mo Sq595-35W-10V-4000-WH-U19	35	4000	19	4000K	34-35	542005006500	LEDTrunking Module L15-70W-4000-BW	70	11200		4000K	90-91
542003016800	LEDPanelRc-Mo Sq595-35W-3000-WH-U19	35	3800	19	3000K	34-35	542005006600	LEDTrunking Module L15-50W-4000-120-DALI	50	8000		4000K	90-91
542003016900	LEDPanelRc-Mo Sq595-35W-4000-WH-U19	35	4000	19	4000K	34-35	542005006700	LEDTrunking Module L15-50W-4000-90-DALI	50	8000		4000K	90-91
542004013300	LEDPanelRc-S Sq595-30W-10V-4000-U19-IP54	30	3500	19	4000K	38-39	542005006800	LEDTrunking Module L15-50W-4000-60-DALI	50	8000		4000K	90-91
542004008610	LEDPanelRc-S-B Sq595-36W-3000-WH-U19	36	3060	19	3000K	42-43	542005006900	LEDTrunking Module L15-50W-4000-BW-DALI	50	8000		4000K	90-91
542004008710	LEDPanelRc-S-B Sq595-36W-3000-WH	36	3060	22	3000K	42-43	542005007000	LEDTrunking Module L15-70W-4000-120-DALI	70	11200		4000K	90-91
542004012800	LEDPanelRc-S4 Sq595-30W-3000-WH-U19	30	3300	19	3000K	38-39	542005007100	LEDTrunking Module L15-70W-4000-90-DALI	70	11200		4000K	90-91
542004012900	LEDPanelRc-S4 Sq595-30W-4000-WH-U19	30	3500	19	4000K	38-39	542005007200	LEDTrunking Module L15-70W-4000-60-DALI	70	11200		4000K	90-91
542004013000	LEDPanelRc-S4 Re295-30W-3000-WH-U19	30	3300	19	3000K	38-39	542005007300	LEDTrunking Module L15-70W-4000-BW-DALI	70	11200		4000K	90-91
542004013100	LEDPanelRc-S4 Re295-30W-4000-WH-U19	30	3500	19	4000K	38-39	542005008200	LEDTrunking Module L15-35W-4000-120	70	11200		4000K	90-91
542004013400													







**Smart** 12  
**Indoor** 32  
**Outdoor** 94  
**Lamps & Accessories** 112  
**Technical data** 134  
**Index** 146  
**Glossary** 154



# Definition of terms

## CRI (Ra)

### Colour Rendering Index

A color rendering index (CRI) is a quantitative measure of the ability of a light source to reveal the colors of various objects faithfully in comparison with an ideal or natural light source.

## CCT

### Color temperature in Kelvin

The color temperature of a light source is the temperature of an ideal black-body radiator that radiates light of comparable color to that of the light source.

## lm

### lumen

The lumen (symbol: lm) is a measure of the total quantity of visible light emitted by a source

## lx

### lux

#### lumen/m<sup>2</sup>

The lux (symbol: lx) is measuring luminous flux per unit area. It is equal to one lumen per square metre. In photometry, this is used as a measure of the intensity, as perceived by the human eye, of light that hits or passes through a surface.

## Efficacy

### lm/W

Amount of light produced (lm) per unit of energy consumed (W) Luminous efficacy is a measure of how well a light source produces visible light. It is the ratio of luminous flux to power, measured in lumens per watt

## UGR

### Unified Glare Rating

The unified glare rating (UGR) is a measure of the glare in a given environment. It is basically the logarithm of the glare of all visible lamps, divided by the background luminance.

## DALI/DALI2

### Digital Addressable Lighting Interface

Digital Addressable Lighting Interface (DALI) is a trademark for network-based systems that control lighting in building automation.

## SDCM

### standard deviation of color matching

SDCM has the same meaning as a "MacAdam ellipse". A 1-step MacAdam ellipse defines a zone in the CIE 1931 2 deg (xy) colour space within which the human eye cannot discern colour difference.

## Power factor (pf)

### Difference between power and apparent power

The power factor of an AC electrical power system is defined as the ratio of the real power flowing to the load to the apparent power in the circuit and is a dimensionless number in the closed interval of -1 to 1. A power factor of less than one means that the

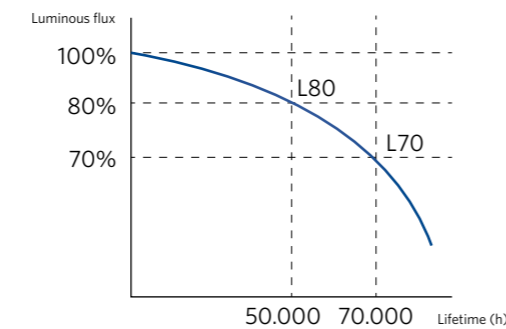
voltage and current waveforms are not in phase, reducing the instantaneous product of the two waveforms.

## L70B50

Lifespan: 50% of the installed luminaires, gives min. 70% lightoutput

## L80B50

Lifespan: 50% of the installed luminaires, gives min. 80% lightoutput



L70B50, L80B50 are as described in IEC 62717 and IEC 62722-2-1.

## Input current

The steady state current which a device uses from the net after switch-on

## Inrush Current

The maximum current that will occur during a short period of time after switching on of the luminaire.

## IP

### International Protection Rating

I. The IP Code, International Protection Marking, IEC standard 60529, sometimes interpreted as Ingress Protection Marking, classifies and rates the degree of protection provided against intrusion (body parts such as hands and fingers), dust, accidental contact, and water by mechanical casings and electrical enclosures. It is published by the International Electrotechnical Commission (IEC). The equivalent European standard is EN 60529.

II. The IP code consists of two digits. First digit: Solid particle protection. Second digit: Liquid ingress protection

1. *The first digit indicates the level of protection that the enclosure provides against access to hazardous parts*

- IP 0\* No protection against contact and ingress of objects
- IP 1\* Any large surface of the body, such as the back of a hand, but no protection against deliberate contact with a body part (> 50 mm)
- IP 2\* Fingers or similar objects > 12.5 mm)
- IP 3\* Tools, thick wires, etc. > 2.5mm)
- IP 4\* Most wires, slender screws, large ants etc. 1 mm
- IP 5\* Ingress of dust is not entirely prevented, but it must not

enter in sufficient quantity to interfere with the satisfactory operation of the equipment.

IP 6\* No ingress of dust; complete protection against contact (dust tight). A vacuum must be applied. Test duration of up to 8 hours based on air flow.

2. *The second digit indicates the level of protection that the enclosure provides against harmful ingress of water.*

IP \*0 None

IP \*1 Dripping water (vertically falling drops) shall have no harmful effect on the specimen when mounted in an upright position onto a turntable and rotated at 1 RPM.

IP \*2 Vertically dripping water shall have no harmful effect when the enclosure is tilted at an angle of 15° from its normal position. A total of four positions are tested within two axes.

IP \*3 Water falling as a spray at any angle up to 60° from the vertical shall have no harmful effect, utilizing either:  
a) an oscillating fixture, or b) A spray nozzle with a counterbalanced shield. Test a) is conducted for 5 minutes, then repeated with the specimen tilted 90° for the second 5-minute test. Test b) is conducted (with shield in place) for 5 minutes minimum.

IP \*4 Water splashing against the enclosure from any direction shall have no harmful effect, utilizing either: a) an oscillating fixture, or b) A spray nozzle with no shield. Test a) is conducted for 10 minutes. Test b) is conducted (without shield) for 5 minutes minimum.

IP \*5 Water projected by a nozzle (6.3 mm) against enclosure from any direction shall have no harmful effects.

IP \*6 Water projected in powerful jets (12.5 mm nozzle) against the enclosure from any direction shall have no harmful effects.

IP \*7 Ingress of water in harmful quantity shall not be possible when the enclosure is immersed in water under defined conditions of pressure and time (up to 1 m of submersion).

IP \*8 The equipment is suitable for continuous immersion in water under conditions which shall be specified by the manufacturer. However, with certain types of equipment, it can mean that water can enter but only in such a manner that it produces no harmful effects. The test depth and/or duration is expected to be greater than the requirements for IPx7, and other environmental effects may be added, such as temperature cycling before immersion.

IP \*9 Protected against close-range high pressure, high temperature spray downs. Smaller specimens rotate slowly on a turntable, from 4 specific angles. Larger specimens are mounted upright, no turntable required, and are tested freehand for at least 3 minutes at distance of 0.15-0.2 m."

## IK

This is an international numeric classification for the degrees of protection provided by enclosures for electrical equipment against external mechanical impacts. It provides a means of specifying the capacity of an enclosure to protect its contents from external impacts.

The most common IK values are:

- IK 02 Impact Resistance 0.2 Joules  
Standard impact resistance, for example, a standard fixture
- IK 04 Impact Resistance 0.5 Joules  
Standard Plus impact resistance, for example, a standard luminaire with an enhanced optical system
- IK 07 Shock resistance 2 Joule  
Fortified fixture, for example, a standard fixture with a grid
- IK 08 Resistance to shock of 5 Joules  
Vandalism protective fixture, such as a closed luminaire with polycarbonate or glass shade
- IK 10 Shock resistance 20 Joules  
Vandal-proof fixture, for example a closed luminaire

## SKG

SKG has developed into the partner for safeguarding the long-term performance and safety of industrial products for the building envelope.

## Protection class

IEC protection classes are defined in IEC 61140 and used to differentiate between the protective-earth connection requirements of devices. These appliances must have their chassis connected to electrical earth.

- Class 0 These appliances have no protective-earth connection and feature only a single level of insulation between live parts and exposed metalwork. If permitted at all, Class 0 items are intended for use in dry areas only.
- Class 1 These appliances must have their chassis connected to electrical earth (US: ground) by a separate earth conductor (coloured green/yellow in most countries, green in the US, Canada and Japan). The earth connection is achieved with a 3-conductor mains cable, typically ending with 3-prong AC connector which plugs into a corresponding AC outlet.
- Class 01 Electrical installations where the chassis is connected to earth with a separate terminal, instead of via the mains cable. In effect this provides the same automatic disconnection as Class I, for equipment that otherwise would be Class 0
- Class 2 A Class II or double insulated electrical appliance is one which has been designed in such a way that it does not require a safety connection to electrical earth (ground).
- Class 3 A Class III appliance is designed to be supplied from a separated/safety extra-low voltage (SELV) power source. The voltage from a SELV supply is low enough that under normal conditions a person can safely come into contact with it without risk of electrical shock. The extra safety features built into Class I and Class II appliances are therefore not required. For medical devices, compliance with Class III is not considered sufficient protection, and further more-stringent regulations apply to such equipment.

# OPPLE

**OPPLE LIGHTING**

Materiaalweg 6  
5681 RJ Best, The Netherlands

**T** +31 (0) 88 056 7888

**E** [service@opple.com](mailto:service@opple.com)

**OPPLE.COM**