

OPPLE



LED PORTFOLIO

April 2018

OPPLE.COM

International
Professional Lighting

OPPLE – Your LED Partner

Dear valued customers and partners,



With pride, I present to you our new first half 2018 catalogue. It contains a lot of new and improved products, in line with our brand promise “OPPLE brings affordable, high quality innovative LED lighting, combined with excellent service to support and improve your business”.

I ask your special attention for the new affordable, easy-to-install and easy-to-use OPPE Bluetooth control system, especially developed for small-medium sized utility projects. In China, Opple Lighting is the leading partner in IoT solutions and has now, using his long experience in China, developed this system specially for the European market. And there is more to come in the near future!

Another key new development is our entry in Street lighting, where we introduce our first range of architectural, high efficacy and affordable Street lighting luminaires, the LED Streetlight. Also here, our fast growing, 350 people strong R&D team, is busy developing more products for the future.

OPPLE is a rapidly growing (> 25% per year), family owned company with more than 20 years of experience in lighting. OPPLE is stock-listed since 2016 at the Shanghai Stock Exchange and ranked in the top 10 of leading lighting brands and companies in the world. Active in more than 70 countries we bring friendly service by professional staff close to you with quality products from stock in local European warehouses. More than 6,000 enthusiastic employees work every day in regional sales offices around the world and on the OPPLE campus in China. There are around 4,000 OPPLE stores and more than 40,000 points of sale worldwide. Our manufacturing facilities as well as our R&D laboratories are fully ISO and TUV certified.

We strive for an experience beyond your expectation, to make sure you are successful with OPPLE. We keep things simple, we act fast and deliver what we promise. OPPLE people make it possible : we go the Xtra mile for the love of lighting and the passion to serve you.

We Care - We Dare - We are Opple!

Jeroen Janssen
Managing Director Opple Lighting Europe

SERVICE CLOSE TO YOU



RELIABLE QUALITY



1996

Company founded in Zhongshan, China
Factory built in Guangdong, China

2000

Rollout first China
OPPLE brand stores

**AFFORDABLE
PRICE** 



**PROFESSIONALS
NEARBY**

**FAST
AVAILABLE
STOCK** 

**GLOBAL
SCALE** 



2004
Start international sales

2009
Opening global HQ in Shanghai, China

2012
Opening new factory and R&D Center in Wujiang, China

2013
Opening Europe HQ in the Netherlands

2016
IPO at Shanghai Stock Exchange

2018
Opplé introduces Smart Bluetooth system

Content

LED Panels (Recessed and Suspended)


	LED Panel Recessed Grille	P. 8
	LED Slim Panel Performer UGR19 NEW IP54	P. 10
	LED Slim Panel EcoMax	P. 12
	LED Slim Panel Basic NEW	P. 14
	LED Panel Suspended Zenith	P. 16

LED Downlights

	LED Downlight Performer HG	P. 18
	LED Downlight Performer MW	P. 20
	LED Downlight HZ ^{DIM}	P. 22
	LED Downlight Slim EcoMax	P. 24
	LED Downlight Basic NEW	P. 26




Smart Lighting

	Smart Lighting NEW	P. 30
---	------------------------------	-------

LED Spots

	LED Spot Performer 3C	P. 32
	LED Spot Performer RA	P. 34
	LED Spot Round Adjustable HQ	P. 36
	LED Spot Ecomax	P. 38
	LED Recessed Spot Ava	P. 40



LED Lowbay

	LED Lowbay NEW	P. 42
---	--------------------------	-------

LED Decorative Luminaires Wall & Ceiling

	LED Ceiling Light Apollo NEW	P. 44
	LED Ceiling Light Eros	P. 46
	LED Ceiling Light Doris	P. 48
	LED Ceiling Light Pallas	P. 50

LED T5 Battens

	LED T5 Batten Ecomax	P. 52
	LED T5 Batten S with Switch	P. 54

LED Highbays



LED Highbay Performer G3 P. 56

LED Waterproofs



LED Waterproof Performer G2
NEW 75W 90W P. 58



LED Waterproof Ecomax P. 60

LED T8 Battens



LED T8 Batten P. 62

LED Streetlight



LED Streetlight
NEW P. 66

LED Floodlights



LED Floodlight Ecomax
(10W/20W) P. 68



LED Floodlight Ecomax
(30W/50W/70W) P. 70



LED Floodlight Performer
(90W/125W/160W) P. 72

LED Wall Mounted



LED Wall-Mounted EcoMax P. 74

LED Porchlight



LED Porchlight P. 76

LED Filament



LED Filament A60 P. 78



LED Filament P. 80

LED Candles and Lusters



LED Candle EcoMax B38 P. 82



LED Mini Globe Ecomax P45 P. 84



LED Mini Globe Ecomax G50 P. 86

LED Reflectors



LED Reflector Ecomax GU10 P. 88

LED Tubes



Universal T8 LED Tube P. 90



LED T8 Tube P. 92

High Power Bulb



LED High Power Bulb P. 94

LED Modules



LED Module Clío
NEW P. 96

Lightmaster



Lightmaster G2
NEW P. 98

Appendices

Dimmerlist P. 100

Connection specifications P. 102

Cut-out conversion list P. 103

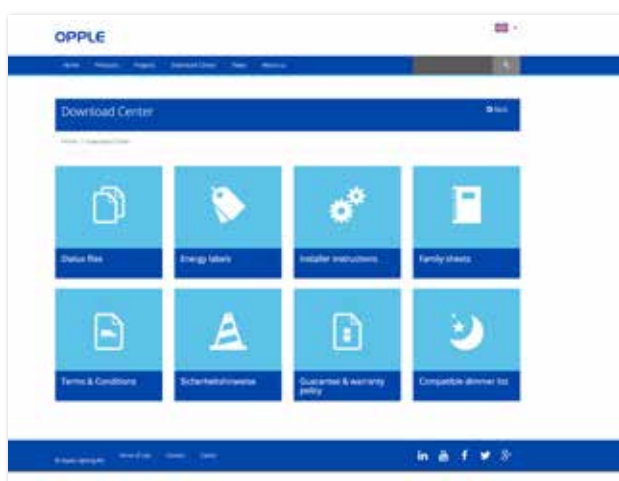
Index P. 104

Definition of terms P. 108

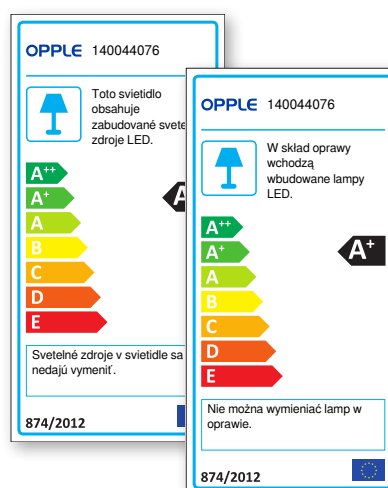
What to find in the Oppla Download Center (www.oppla.com)

Check our website for the latest overview of our complete portfolio and related specifications.

www.oppla.com



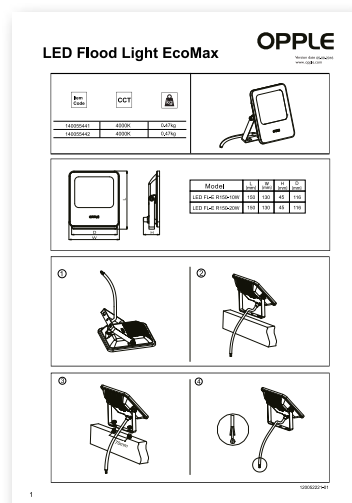
Energy labels



Family sheets



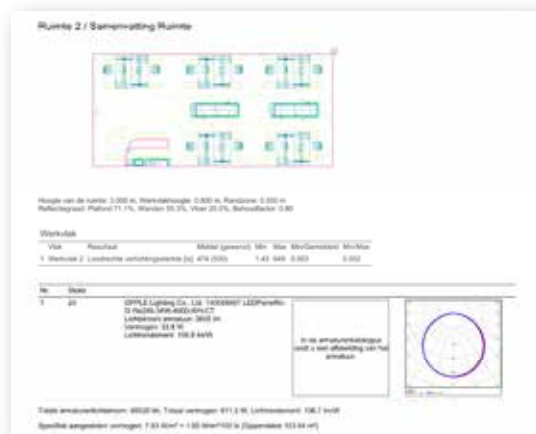
Installer instructions



Compatible dimmer list

Dimming compatibility Level
OPPLE portfolio

Photometric data



Connection specifications

Connection specifications

Tables below present the maximum number of luminaires that can be connected on one B16/C16 automate.

Safety Instructions

LED Downlight Performer DALI **OPPLE**

Technical specifications table:

Item Code	CCT	Beam angle	Power	Light output	Beam diameter
OPPLE LED Downlight Performer DALI	3000K	27°	15W	14236 lm	142 mm

Installation instructions:

The luminaire is designed for use with a DALI dimmer. The luminaire must be connected to the DALI dimmer in accordance with the DALI dimmer instructions. The luminaire must be connected to the DALI dimmer in accordance with the DALI dimmer instructions.

Guarantee & Warranty policy

OPPLE

General Warranty Policy for Professional LED lamps and luminaires

This document is the General Warranty Policy for Professional LED lamps and luminaires. It describes the conditions under which OPPLE will accept responsibility for the repair or replacement of defective products. This document is valid for all OPPLE products sold in the Netherlands, Belgium, and Luxembourg.

Warranty Period

Subject to the conditions set forth in this document, OPPLE's standard warranty period for Professional LED lamps and luminaires is 5 years. OPPLE's standard warranty period for Professional LED lamps and luminaires is 5 years.

Special Conditions

- The warranty period for Professional LED lamps and luminaires is 5 years.
- The warranty period for Professional LED lamps and luminaires is 5 years.
- The warranty period for Professional LED lamps and luminaires is 5 years.
- The warranty period for Professional LED lamps and luminaires is 5 years.
- The warranty period for Professional LED lamps and luminaires is 5 years.

Terms & conditions

OPPLE

General Terms and Conditions of Sale

These General Terms and Conditions of Sale apply to all sales of OPPLE products. They describe the conditions under which OPPLE will accept responsibility for the repair or replacement of defective products. These General Terms and Conditions of Sale are valid for all OPPLE products sold in the Netherlands, Belgium, and Luxembourg.

1. Definitions

1.1. OPPLE: OPPLE Lighting Co.

1.2. Customer: the person or organization that purchases OPPLE products.

1.3. Product: any OPPLE product sold by OPPLE.

1.4. Sale: the purchase of OPPLE products by the Customer.

1.5. Delivery: the transfer of OPPLE products to the Customer.

1.6. Installation: the installation of OPPLE products by the Customer.

1.7. Maintenance: the maintenance of OPPLE products by the Customer.

1.8. Repair: the repair of OPPLE products by OPPLE.

1.9. Replacement: the replacement of OPPLE products by OPPLE.

1.10. Defective: any OPPLE product that does not meet the technical specifications set forth in the OPPLE product manual.

1.11. Defective: any OPPLE product that does not meet the technical specifications set forth in the OPPLE product manual.

1.12. Defective: any OPPLE product that does not meet the technical specifications set forth in the OPPLE product manual.

1.13. Defective: any OPPLE product that does not meet the technical specifications set forth in the OPPLE product manual.

1.14. Defective: any OPPLE product that does not meet the technical specifications set forth in the OPPLE product manual.



LED Panel Recessed Grille

- Directly replaces existing T5 and T8 fixtures
- Comfortable lighting, making it easier to work and study
- Can be recessed & surface mounted
- System efficacy up to 113 lm/W
- Significantly lower energy consumption of up to 55%

UGR16



70,000 h
L70B50

50,000 h
L80B50

Specifications

Item Code	Item Description	Equivalent to (W)	Power (W)	Lumen	Efficacy (lm/W)	UGR	CCT (K)
140043967	LEDPanelRc-G Sq598-36W-3000-WH-CT	TL 4x18W	36	3800	106	16	3000
140043968	LEDPanelRc-G Sq598-36W-4000-WH-CT	TL 4x18W	36	4050	113	16	4000
140043971	LEDPanelRc-G Re298-36W-3000-WH-CT	TL 2x36W	36	3800	106	16	3000
140043972	LEDPanelRc-G Re298-36W-4000-WH-CT	TL 2x36W	36	4050	113	16	4000
140043973	LEDPanelRc-G Re166-21W-3000-WH-CT	TL 1x36W	21	2000	95	16	3000
140043974	LEDPanelRc-G Re166-21W-4000-WH-CT	TL 1x36W	21	2090	100	16	4000
140043969	LEDPanelRc-G Sq298-11W-3000-WH-CT	CFL 2x18W	11	1050	95	16	3000
140043970	LEDPanelRc-G Sq298-11W-4000-WH-CT	CFL 2x18W	11	1090	99	16	4000
140046181	LEDPanelRc-G Sq598-36W-DALI-3000-WH-CT	TL 4x18W	36	3450	96	16	3000
140046182	LEDPanelRc-G Sq598-36W-DALI-4000-WH-CT	TL 4x18W	36	3690	103	16	4000
140046185	LEDPanelRc-G Re298-36W-DALI-3000-WH-CT	TL 2x36W	36	3450	96	16	3000
140046186	LEDPanelRc-G Re298-36W-DALI-4000-WH-CT	TL 2x36W	36	3690	103	16	4000
140046187	LEDPanelRc-G Re166-21W-DALI-3000-WH-CT	TL 1x36W	21	1800	86	16	3000
140046188	LEDPanelRc-G Re166-21W-DALI-4000-WH-CT	TL 1x36W	21	1900	90	16	4000
140046183	LEDPanelRc-G Sq298-13W-DALI-3000-WH-CT	CFL 2x18W	13	930	72	16	3000
140046184	LEDPanelRc-G Sq298-13W-DALI-4000-WH-CT	CFL 2x18W	13	990	76	16	4000

Available on request with 3- or 5- or 3+2 pole Wieland GST18i connector. Emergency lighting available on request.

Accessories



140044054
LEDPanelRc-G Sq598-Surface
Module-CT



140044055
LEDPanelRc-G Re298-Surface
Module-CT



140044056
LEDPanelRc-G Sq298-Surface
Module-CT



140044057
LEDPanelRc-G Re166-Surface
Module-CT

Technical Specifications	
On-/Off-cycles	100,000
Colour consistency (SDCM)	3
Dimmable	No / Yes (DALI)
Beam angle	90 °
Finishing	White RAL9003
Colour rendering index CRI	≥ 80
Degree of protection (IP)	IP20
Impact strength	IK02
Protection class	I
Control gear included	Yes
Glow wire test	650 °C
Driver failure rate (at 5,000 hrs)	1 %
Weight (pc/kg)	1.40 / 3.31 / 4.12 / 4.90 / 5.00 / 5.33
Power factor	≥ 0.90

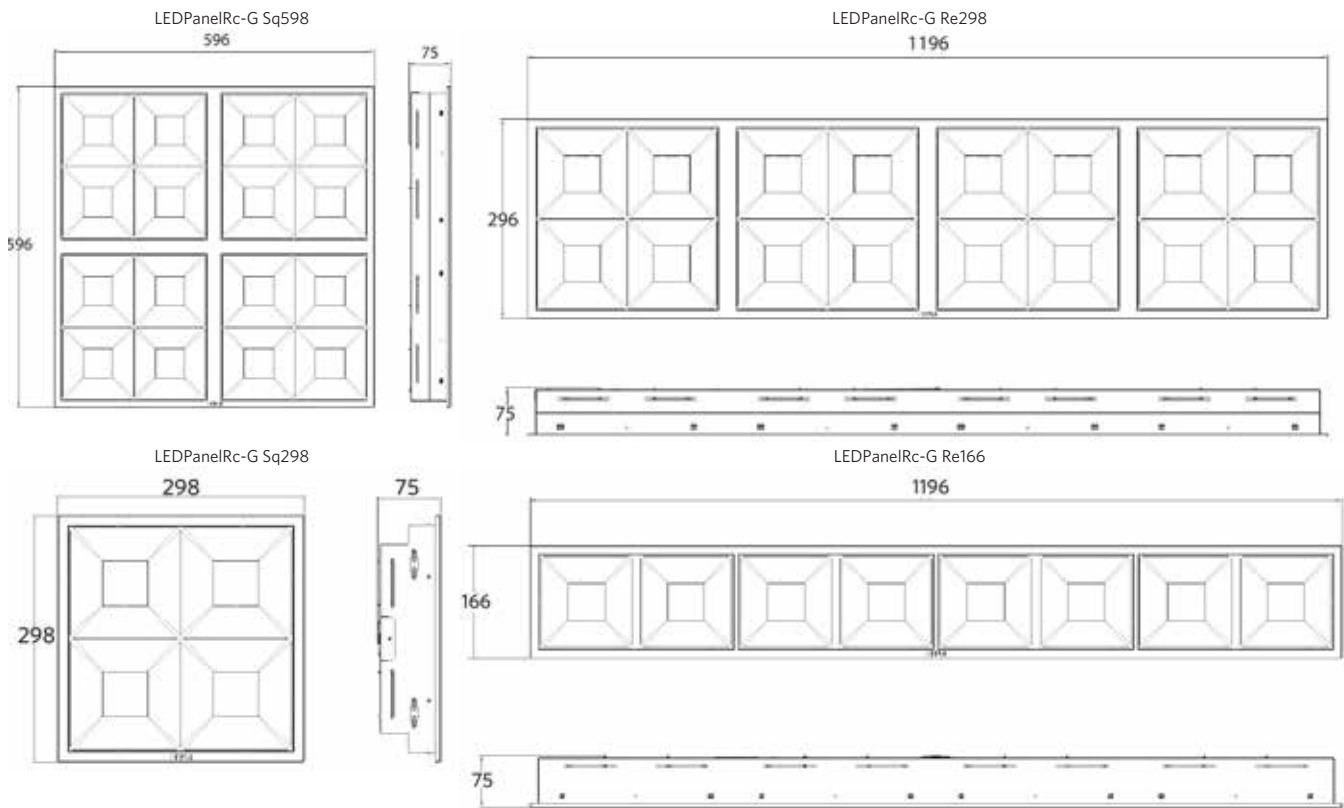
Electrical Supply	
Frequency	50/60 Hz
Nominal voltage	220-240 V
Voltage type	AC/DC

Mechanical Properties	
Material housing	Coated Steel
Optical material	Plastic

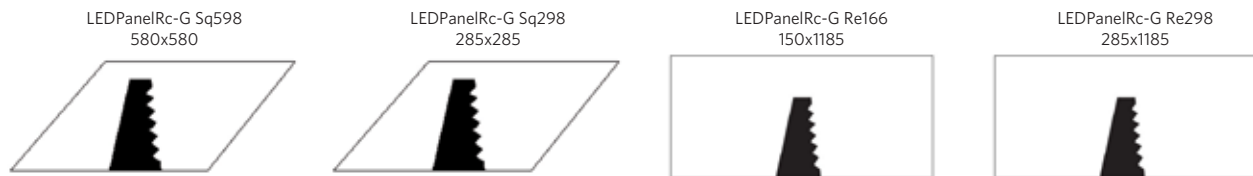
Ambient Conditions	
Operating temperature	-10 - 40 °C
Application temperature	25 °C
Storage environment	-25 - 50 °C



Dimensional Drawing (mm)



Installation Opening Drawing (mm)





LED Slim Panel Performer UGR19

- NEW: improved efficacy of up to 115lm/W, combined with office compliant UGR19
- NEW: available as Smart Lighting solution (BLE)
- NEW: IP54 version available
- Recessed, suspended and surface mounting possible
- Low glare luminaire brings comfort to working and study environments
- Up to 60% lower energy consumption vs TL
- Flicker-free
- Surface module available (5cm thickness)



Specifications

Item Code	Item Description	Equivalent to (W)	Power (W)	Lumen	Efficacy (lm/W)	UGR	CCT (K)
140063714	LEDPanelRc-S Sq595-30W-3000-WH-U19	TL 4x18W	30	3300	110	19	3000
140063715	LEDPanelRc-S Sq595-30W-4000-WH-U19	TL 4x18W	30	3500	115	19	4000
140063717	LEDPanelRc-S Re295-30W-3000-WH-U19	TL 2x36W	30	3300	110	19	3000
140063718	LEDPanelRc-S Re295-30W-4000-WH-U19	TL 2x36W	30	3500	115	19	4000
140063723	LEDPanelRc-S Sq595-30W-DALI-3000-WH-U19	TL 4x18W	30	3300	110	19	3000
140063724	LEDPanelRc-S Sq595-30W-DALI-4000-WH-U19	TL 4x18W	30	3500	115	19	4000
140063726	LEDPanelRc-S Re295-30W-DALI-3000-WH-U19	TL 2x36W	30	3300	110	19	3000
140063727	LEDPanelRc-S Re295-30W-DALI-4000-WH-U19	TL 2x36W	30	3500	115	19	4000
140063733	LEDPanelRc-S S595-30W-DALI-4000-U19-IP54	TL 4x18W	30	3500	115	19	4000
140063557	LEDPanelRc-S Sq595-30W-BLE-3000-WH-U19	TL 4x18W	30	3300	110	19	3000
140063558	LEDPanelRc-S Sq595-30W-BLE-4000-WH-U19	TL 4x18W	30	3500	115	19	4000
140063554	LEDPanelRc-S Re295-30W-BLE-3000-WH-U19	TL 2x36W	30	3300	110	19	3000
140063555	LEDPanelRc-S Re295-30W-BLE-4000-WH-U19	TL 2x36W	30	3500	115	19	4000

Available on request with 3- or 5- or 3+2 pole Wieland GST18i connector. Emergency lighting available on request.

Accessories



140055484
LEDPanelRc-SI Sq600-Surface-Module-WH-CT



140055486
LEDPanelRc-SI Re300-Surface-Module-WH-CT



140057770
LEDPanelRc-SI-Mounting-Springs-595



140048490
LEDPanel-SI-Suspension-Kit-CT



Technical Specifications	
On-/Off-cycles	100,000
Colour consistency (SDCM)	3
Dimmable	No / Yes (DALI/BLE)
Beam angle	85 °
Finishing	White RAL9003
Colour rendering index CRI	≥ 80
Degree of protection (IP)	IP20 / IP54
Impact strength	IK02
Protection class	II
Control gear included	Yes
Glow wire test	650 °C
Driver failure rate (at 5,000 hrs)	1 %
Weight (pc/kg)	3.81 / 3.84 / 4.06 / 4.50 / 5.00
Power factor	≥ 0.90

Electrical Supply	
Frequency	50/60 Hz
Nominal voltage	220-240 V
Voltage type	AC/DC

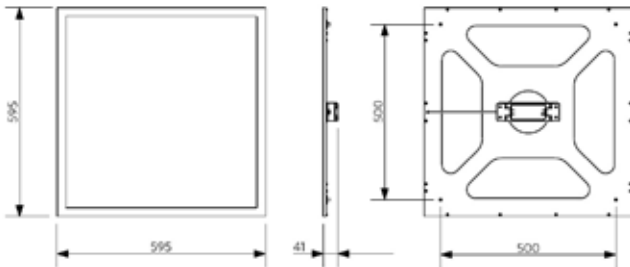
Mechanical Properties	
Material housing	Aluminum
Optical material	Plastic and aluminum

Ambient Conditions	
Operating temperature	-25 - 40 °C
Application temperature	25 °C
Storage environment	-25 - 50 °C

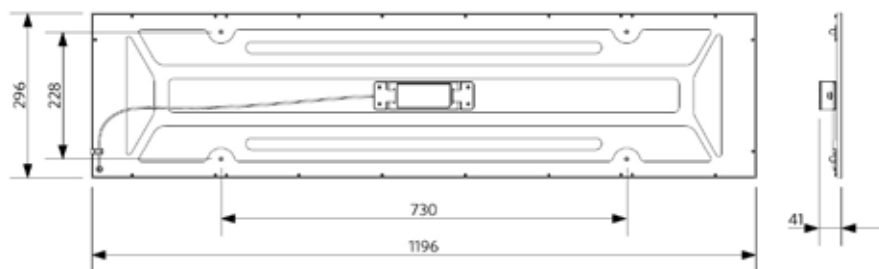


Dimensional Drawing (mm)

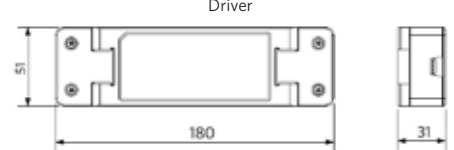
LEDPanelRc-S Sq595



LEDPanelRc-S Re295



LEDPanelRc-S Driver



Installation Opening Drawing (mm)

LEDPanelRc-S Sq595
580 x 580



LEDPanelRc-S Re295
1180 x 280





LED Slim Panel EcoMax

- Slim and well designed, also suitable for suspension
- Up to 55% lower energy consumption vs TL
- Surface mounting possible with the suspension kit and ceiling clip accessories
- Surface module available (5cm thickness)
- Flicker-free



Specifications

Item Code	Item Description	Equivalent to (W)	Power (W)	Lumen	Efficacy (lm/W)	CCT (K)
140062700	LEDPanelRc-S-E2 Sq595-34W-3000-WH-U22	TL 4x18W	34	3500	105	3000
140062701	LEDPanelRc-S-E2 Sq595-34W-4000-WH-U22	TL 4x18W	34	3500	105	4000
140062706	LEDPanelRc-S-E2 Re295-34W-3000-WH-U22	TL 2x36W	34	3500	105	3000
140062707	LEDPanelRc-S-E2 Re295-34W-4000-WH-U22	TL 2x36W	34	3500	105	4000

Available on request with 3- pole Wieland GST18i connector
Emergency lighting available on request

Accessories



140055484
LEDPanelRc-SI Sq600-Surface-Module-WH-CT



140055486
LEDPanelRc-SI Re300-Surface-Module-WH-CT



140053150
LEDPanelRc-SI-E Mounting-Springs



140055365
LEDPanel-SI-E-Suspension-Kit

Technical Specifications

On-/Off-cycles	100,000
Colour consistency (SDCM)	4
Dimmable	No
Beam angle	120 °
Finishing	White RAL9003
Colour rendering index CRI	≥ 80
UGR	22
Degree of protection (IP)	IP20
Impact strength	IK02
Protection class	II
Control gear included	Yes
Glow wire test	650 °C
Driver failure rate (at 5,000 hrs)	1 %
Weight (pc/kg)	3.20 / 3.25 / 3.26
Power factor	≥ 0.90

Electrical Supply

Frequency	50/60 Hz
Nominal voltage	220-240 V
Voltage type	AC/DC

Mechanical Properties

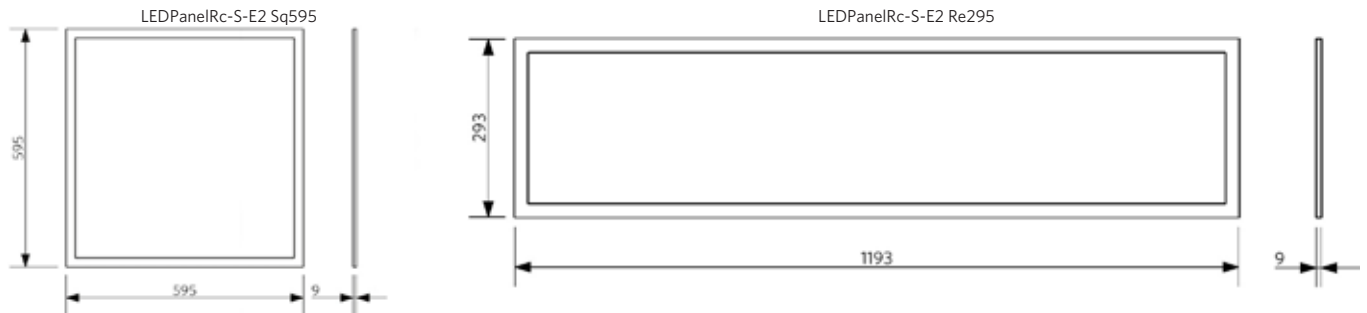
Material housing	Aluminum
Optical material	Polycarbonate

Ambient Conditions

Operating temperature	-10 - 40 °C
Application temperature	25 °C
Storage environment	-25 - 50 °C



Dimensional Drawing (mm)



Installation Opening Drawing (mm)





LED Slim Panel Basic

- Suitable for recessed applications
- Perfect replacement for conventional 4x18W luminaire
- Energy saving up to 55% possible
- Comfortable and uniform light available in UGR22 and UGR19
- Slim design, only 8mm thick
- Solid aluminum frame

UGR19

UGR22

30,000 h
 L70B50

Specifications

Item Code	Item Description	Equivalent to (W)	Power (W)	Lumen	Efficacy (lm/W)	UGR	CCT (K)
140066707	LEDPanelRc-S-B Sq595-36W-4000-WH-U19	TL 4x18W	36	3240	90	19	4000
140067185	LEDPanelRc-S-B Sq595-36W-4000-WH	TL 4x18W	36	3240	90	22	4000

Accessories



140055484
LEDPanelRc-SI Sq600-Surface-Module-WH-CT



140053150
LEDPanelRc-SI-E Mounting-Springs



140055365
LEDPanel-SI-E-Suspension-Kit

Mounting springs and suspension kit compatible with 140066707 only.

Technical Specifications

On-/Off-cycles	100,000
Dimmable	No
Beam angle	85/120 °
Finishing	White RAL9003
Colour rendering index CRI	≥ 80
Degree of protection (IP)	IP20
Protection class	II
Control gear included	Yes
Glow wire test	650 °C
Driver failure rate (at 5,000 hrs)	1 %
Weight (pc/kg)	2.20 / 2.48
Power factor	≥ 0.90

Electrical Supply

Frequency	50/60 Hz
Nominal voltage	220-240 V
Voltage type	AC

Mechanical Properties

Material housing	Aluminium
Optical material	Plastic

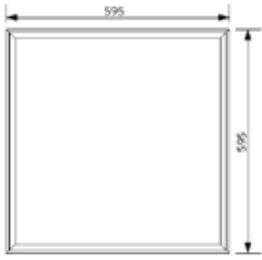
Ambient Conditions

Operating temperature	-10 - 45 °C
Application temperature	25 °C
Storage environment	-25 - 50 °C

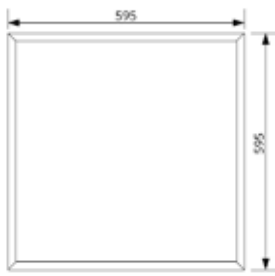


Dimensional Drawing (mm)

LEDPanelRc-S-B Sq595-36W-4000-WH-U19



LEDPanelRc-S-B Sq595-36W-4000-WH





LED Panel Suspended Zenith

- Special design luminaire distributes light both up and down, combining comfort and efficiency
- High lumen output and high efficacy up to 105 lm/W
- Light up your offices and meeting rooms in an architectural way
- Save up to 50% energy compared to fluorescent solutions

UGR19



60,000 h
L70B50

40,000 h
L80B50

Specifications

Item Code	Item Description	Equivalent to (W)	Power (W)	Lumen	Efficacy (lm/W)	UGR	CCT (K)
140054053	LEDPanelSp-Z L1222-75W-DALI-3000-AL	TL 2x58W	75	7875	105	19	3000
140054054	LEDPanelSp-Z L1222-75W-DALI-4000-AL	TL 2x58W	75	7875	105	19	4000

All codes include the required suspension kit

Suspension length 2.5m

Available on Request with 5- or 2+3 pole Wieland GST18i connector

Technical Specifications

On-/Off-cycles	100,000
Colour consistency (SDCM)	3
Dimmable	Yes (DALI)
Beam angle	112° up (50%) + down (50%)
Finishing	Aluminum
Colour rendering index CRI	≥ 80
Degree of protection (IP)	IP20
Impact strength	IK02
Protection class	II
Control gear included	Yes
Glow wire test	650 °C
Driver failure rate (at 5,000 hrs)	1 %
Weight (pc/kg)	3.90
Power factor	≥ 0.90

Electrical Supply

Frequency	50/60 Hz
Nominal voltage	220-240 V
Voltage type	AC/DC

Mechanical Properties

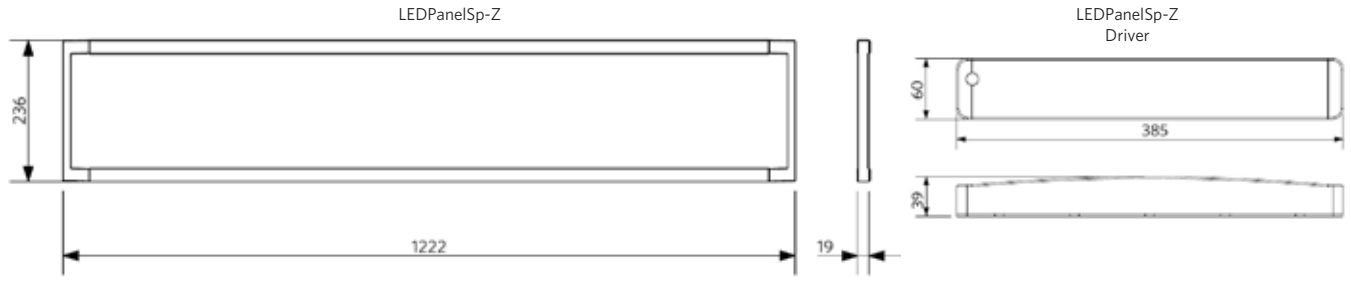
Material housing	Aluminium
Optical material	PMMA
Cover material	Semi-opaque PMMA

Ambient Conditions

Operating temperature	-20 - 45 °C
Application temperature	25 °C
Storage environment	-25 - 50 °C



Dimensional Drawing (mm)



Check our website for more detailed product specifications.





LED Downlight Performer HG

- NEW: available as wireless Smart Lighting solution (BLE)
- Unique optical lens concept with high gloss (HG) reflector
- High efficacy (over 100 lm/W) combined with low glare
- Direct replacement for compact fluorescent downlights - saving over 60% of energy costs
- Common cut-out diameters of 150mm and 200mm
- Provided with protective foil in order to prevent the downlight from dust and dirt during the assembly (IP44)
- Suitable for retrofitting due to available adapter ring sizes
- Flicker-free



Specifications

Item Code	Item Description	Equivalent to (W)	Power (W)	Lumen	Efficacy (lm/W)	UGR	CCT (K)
140057154	LEDDownlightRc-P-HG R150-11.5W-3000	CFL 1x18W	11.5	1150	102	19	3000
140057155	LEDDownlightRc-P-HG R150-11.5W-4000	CFL 1x18W	11.5	1200	104	19	4000
140057152	LEDDownlightRc-P-HG R200-15W-3000	CFL 1x26W	15	1600	108	19	3000
140057153	LEDDownlightRc-P-HG R200-15W-4000	CFL 1x26W	15	1660	110	19	4000
140057156	LEDDownlightRc-P-HG R200-23W-3000	CFL 2x26W	23	2350	102	19	3000
140057157	LEDDownlightRc-P-HG R200-23W-4000	CFL 2x26W	23	2400	104	19	4000
140057158	LEDDownlightRc-P-HG R200-33W-3000	CFL 2x32W	33	3360	105	22	3000
140057159	LEDDownlightRc-P-HG R200-33W-4000	CFL 2x32W	33	3500	107	22	4000
140057162	LEDDownlightRc-P-HG R150-11.5W-DALI-3000	CFL 1x18W	11.5	1150	100	19	3000
140057163	LEDDownlightRc-P-HG R150-11.5W-DALI-4000	CFL 1x18W	11.5	1200	102	19	4000
140057160	LEDDownlightRc-P-HG R200-15W-DALI-3000	CFL 1x26W	15	1600	105	19	3000
140057161	LEDDownlightRc-P-HG R200-15W-DALI-4000	CFL 1x26W	15	1660	107	19	4000
140057164	LEDDownlightRc-P-HG R200-23W-DALI-3000	CFL 2x26W	23	2350	100	19	3000
140057165	LEDDownlightRc-P-HG R200-23W-DALI-4000	CFL 2x26W	23	2400	102	19	4000
140057166	LEDDownlightRc-P-HG R200-33W-DALI-3000	CFL 2x32W	33	3360	103	22	3000
140057167	LEDDownlightRc-P-HG R200-33W-DALI-4000	CFL 2x32W	33	3500	105	22	4000
140063611	LEDDownlightRc-P-HG R150-11.5W-BLE-3000	CFL 1x18W	11.5	1150	100	19	3000
140063612	LEDDownlightRc-P-HG R150-11.5W-BLE-4000	CFL 1x18W	11.5	1200	102	19	4000
140063613	LEDDownlightRc-P-HG R200-15W-BLE-3000	CFL 1x26W	15	1600	105	19	3000
140063614	LEDDownlightRc-P-HG R200-15W-BLE-4000	CFL 1x26W	15	1660	107	19	4000
140063615	LEDDownlightRc-P-HG R200-23W-BLE-3000	CFL 2x26W	23	2350	100	19	3000
140063616	LEDDownlightRc-P-HG R200-23W-BLE-4000	CFL 2x26W	23	2400	102	19	4000
140063617	LEDDownlightRc-P-HG R200-33W-BLE-3000	CFL 2x32W	33	3360	103	22	3000
140063618	LEDDownlightRc-P-HG R200-33W-BLE-4000	CFL 2x32W	33	3500	105	22	4000

Available on request with 5- or 2+3 pole Wieland GST18i connector. Emergency lighting available on request.

Accessories



140060646
LEDDownlightRc-P-HZ-Adapter-150-175



140061242
LEDDownlightRc-P-R150-Surface-Module-WH

140060647
LEDDownlightRc-P-SI-E-Adapter-200-225

140061243
LEDDownlightRc-P-R200-Surface-Module-WH

140060648
LEDDownlightRc-P-SI-E-Adapter-200-250

Technical Specifications

On-/Off-cycles	100,000
Colour consistency (SDCM)	4
Dimmable	No / Yes (DALI/BLE)
Beam angle	70 °
Finishing	White RAL9003
Colour rendering index CRI	≥ 80
Degree of protection (IP)	IP44
IP recessed part	IP20
Impact strength	IK02
Protection class	II
Control gear included	Yes
Glow wire test	650 °C
Driver failure rate (at 5,000 hrs)	1 %
Weight (pc/kg)	0.45 / 0.76
Power factor	≥ 0.90

Electrical Supply

Frequency	50/60 Hz
Nominal voltage	220-240 V
Voltage type	AC/DC

Mechanical Properties

Material housing	Die-casted Aluminum
Optical material	Aluminum coated PC

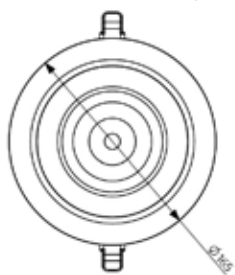
Ambient Conditions

Operating temperature	-10 - 40 °C
Application temperature	25 °C
Storage environment	-25 - 50 °C

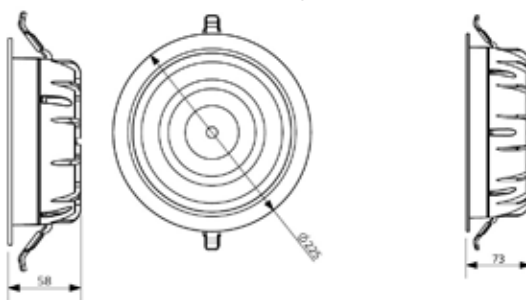


Dimensional Drawing (mm)

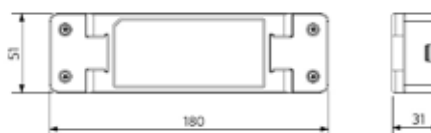
LEDDownlightRc-P-HG R150



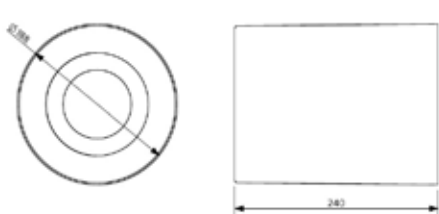
LEDDownlightRc-P-HG R200



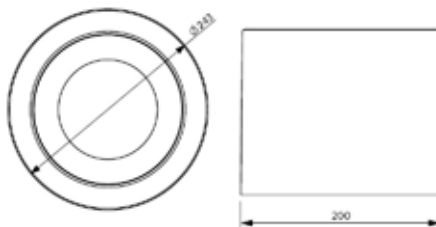
LEDDownlight Driver



LEDDownlightRc-P-R150-Surface-Module



LEDDownlightRc-P-R200-Surface-Module



Installation Opening Drawing (mm)

LEDDownlightRc-P-HG R150
Ø150



LEDDownlightRc-P-HG R200
Ø200



Check our website for more detailed product specifications.





LED Downlight Performer MW

- NEW: available as wireless Smart Lighting solution (BLE)
- High efficacy (over 100 lm/W) combined with low glare
- Direct replacement for compact fluorescent downlights - saving over 60% of energy costs
- Common cut-out diameters of 150mm and 200mm
- Provided with protective foil in order to prevent the downlight from dust and dirt during the assembly (IP44)
- Suitable for retrofitting due to available adapter ring sizes
- Flicker-free



Specifications

Item Code	Item Description	Equivalent to (W)	Power (W)	Lumen	Efficacy (lm/W)	UGR	CCT (K)
140057170	LEDDownlightRc-P-MW R150-11.5W-3000	CFL 1x18W	11.5	1150	102	22	3000
140057171	LEDDownlightRc-P-MW R150-11.5W-4000	CFL 1x18W	11.5	1200	104	22	4000
140057168	LEDDownlightRc-P-MW R200-15W-3000	CFL 1x26W	15	1600	108	19	3000
140057169	LEDDownlightRc-P-MW R200-15W-4000	CFL 1x26W	15	1660	110	19	4000
140057172	LEDDownlightRc-P-MW R200-23W-3000	CFL 2x26W	23	2350	102	22	3000
140057173	LEDDownlightRc-P-MW R200-23W-4000	CFL 2x26W	23	2400	104	22	4000
140057174	LEDDownlightRc-P-MW R200-33W-3000	CFL 2x32W	33	3360	105	22	3000
140057175	LEDDownlightRc-P-MW R200-33W-4000	CFL 2x32W	33	3500	107	22	4000
140057178	LEDDownlightRc-P-MW R150-11.5W-DALI-3000	CFL 1x18W	11.5	1150	100	22	3000
140057179	LEDDownlightRc-P-MW R150-11.5W-DALI-4000	CFL 1x18W	11.5	1200	102	22	4000
140057176	LEDDownlightRc-P-MW R200-15W-DALI-3000	CFL 1x26W	15	1600	105	19	3000
140057177	LEDDownlightRc-P-MW R200-15W-DALI-4000	CFL 1x26W	15	1660	107	19	4000
140057180	LEDDownlightRc-P-MW R200-23W-DALI-3000	CFL 2x26W	23	2350	100	22	3000
140057181	LEDDownlightRc-P-MW R200-23W-DALI-4000	CFL 2x26W	23	2400	102	22	4000
140057182	LEDDownlightRc-P-MW R200-33W-DALI-3000	CFL 2x32W	33	3360	103	22	3000
140057183	LEDDownlightRc-P-MW R200-33W-DALI-4000	CFL 2x32W	33	3500	105	22	4000
140063619	LEDDownlightRc-P-MW R150-11.5W-BLE-3000	CFL 1x18W	11.5	1150	100	19	3000
140063620	LEDDownlightRc-P-MW R150-11.5W-BLE-4000	CFL 1x18W	11.5	1200	102	19	4000
140063621	LEDDownlightRc-P-MW R200-15W-BLE-3000	CFL 1x26W	15	1600	105	19	3000
140063622	LEDDownlightRc-P-MW R200-15W-BLE-4000	CFL 1x26W	15	1660	107	19	4000
140063623	LEDDownlightRc-P-MW R200-23W-BLE-3000	CFL 2x26W	23	2350	100	19	3000
140063624	LEDDownlightRc-P-MW R200-23W-BLE-4000	CFL 2x26W	23	2400	102	19	4000
140063625	LEDDownlightRc-P-MW R200-33W-BLE-3000	CFL 2x32W	33	3360	103	22	3000
140063626	LEDDownlightRc-P-MW R200-33W-BLE-4000	CFL 2x32W	33	3500	105	22	4000

Available on request with 5- or 2+3 pole Wieland GST18i connector. Emergency lighting available on request.

Accessories



140060646
LEDDownlightRc-P-HZ-Adapter-150-175

140060647
LEDDownlightRc-P-SI-E-Adapter-200-225

140060648
LEDDownlightRc-P-SI-E-Adapter-200-250



140061242
LEDDownlightRc-P-R150-Surface-Module-WH

140061243
LEDDownlightRc-P-R200-Surface-Module-WH

Technical Specifications

On-/Off-cycles	100,000
Colour consistency (SDCM)	4
Dimmable	No / Yes (DALI/BLE)
Beam angle	70 °
Finishing	White RAL9003
Colour rendering index CRI	≥ 80
Degree of protection (IP)	IP44
IP recessed part	IP20
Impact strength	IK02
Protection class	II
Control gear included	Yes
Glow wire test	650 °C
Driver failure rate (at 5,000 hrs)	1 %
Weight (pc/kg)	0.45 / 0.76
Power factor	≥ 0.90

Electrical Supply

Frequency	50/60 Hz
Nominal voltage	220-240 V
Voltage type	AC/DC

Mechanical Properties

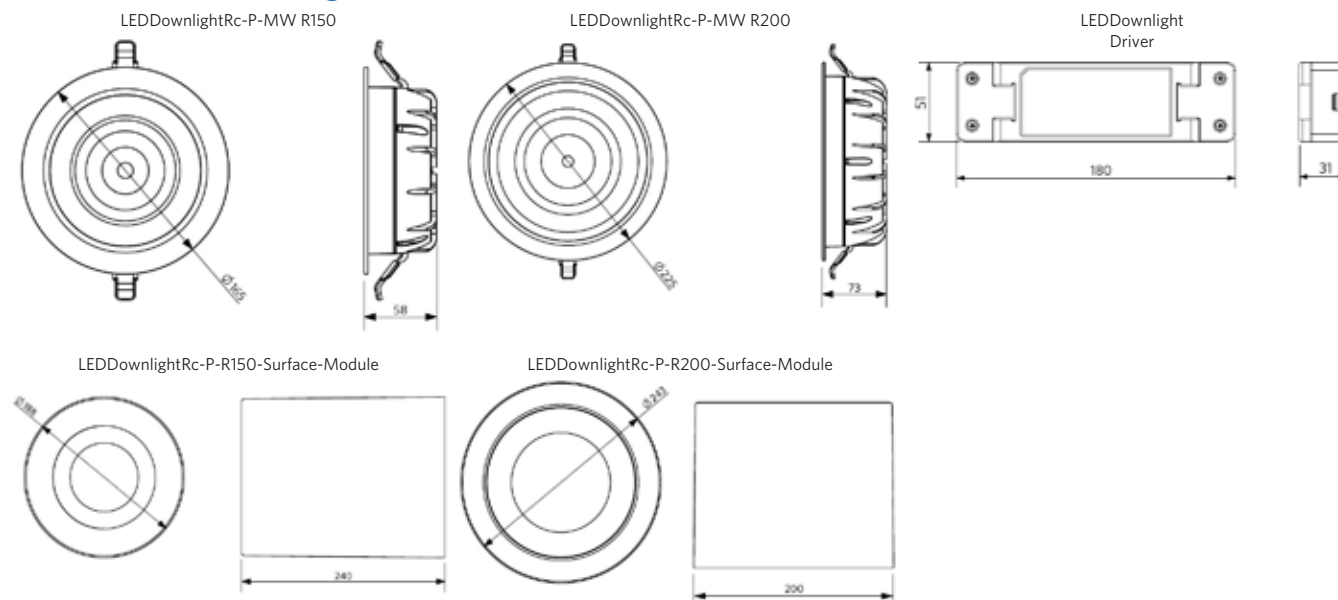
Material housing	Die-casted Aluminum
Optical material	Polycarbonate

Ambient Conditions

Operating temperature	-10 - 40 °C
Application temperature	25 °C
Storage environment	-25 - 50 °C



Dimensional Drawing (mm)



Installation Opening Drawing (mm)



Check our website for more detailed product specifications.





LED Downlight HZ^{DIM}

- Switching from CFL to LED made easy - even when dimming is needed
- Integrated driver for easier installation
- High system efficacy up to 94 lm/W
- Lower energy and maintenance costs



Specifications

Item Code	Item Description	Equivalent to (W)	Power (W)	Lumen	Efficacy (lm/W)	CCT (K)
140051474	LEDDownlightRc-HZ R125-7W-Dim-3000-WH	CFL 1x13W	7	600	86	3000
140051475	LEDDownlightRc-HZ R125-7W-Dim-4000-WH	CFL 1x13W	7	600	86	4000
140051476	LEDDownlightRc-HZ R150-10W-Dim-3000-WH	CFL 1x18W	10	900	90	3000
140051477	LEDDownlightRc-HZ R150-10W-Dim-4000-WH	CFL 1x18W	10	900	90	4000
140051478	LEDDownlightRc-HZ R175-13W-Dim-3000-WH	CFL 1x26W	13	1200	92	3000
140051479	LEDDownlightRc-HZ R175-13W-Dim-4000-WH	CFL 1x26W	13	1200	92	4000
140051480	LEDDownlightRc-HZ R200-16W-Dim-3000-WH	CFL 1x26W	16	1500	94	3000
140051481	LEDDownlightRc-HZ R200-16W-Dim-4000-WH	CFL 1x26W	16	1500	94	4000

Available on request with 3- pole Wieland GST18i connector

Accessories



140060649
LEDDownlightRc-HZdim-Adapter-200-250

140060650
LEDDownlightRc-HZdim-Adapter-125-150

140060646
LEDDownlightRc-P-HZ-Adapter-150-175

140060651
LEDDownlightRc-HZdim-Adapter-175-200

140060652
LEDDownlightRc-HZdim-Adapter-200-225

Technical Specifications

On-/Off-cycles	100,000
Colour consistency (SDCM)	4
Dimmable	Yes (Triac)
Beam angle	110 °
Finishing	White RAL9003
Colour rendering index CRI	≥ 80
Degree of protection (IP)	IP44
IP recessed part	IP20
Impact strength	IK02
Protection class	II
Control gear included	Yes
Glow wire test	650 °C
Driver failure rate (at 5,000 hrs)	1 %
Weight (pc/kg)	0.17 / 0.25 / 0.32 / 0.37
Power factor	≥ 0.90

Electrical Supply

Frequency	50/60 Hz
Nominal voltage	220-240 V
Voltage type	AC/DC

Mechanical Properties

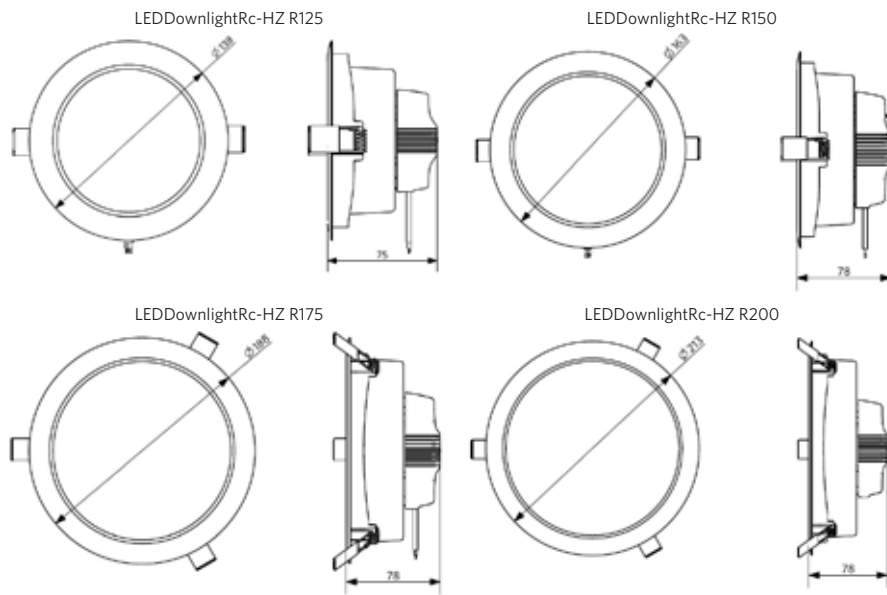
Material housing	Aluminum + Polycarbonate
Optical material	Polycarbonate

Ambient Conditions

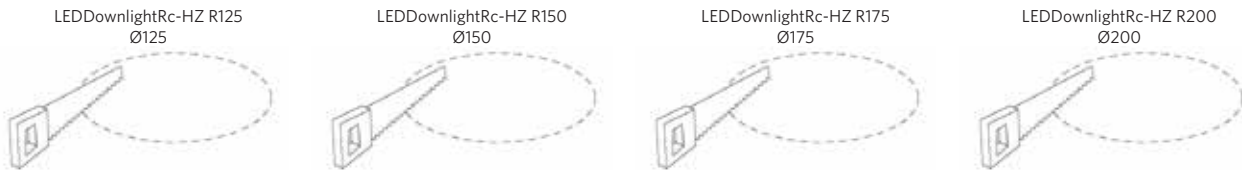
Operating temperature	-10 - 40 °C
Application temperature	25 °C
Storage environment	-25 - 50 °C

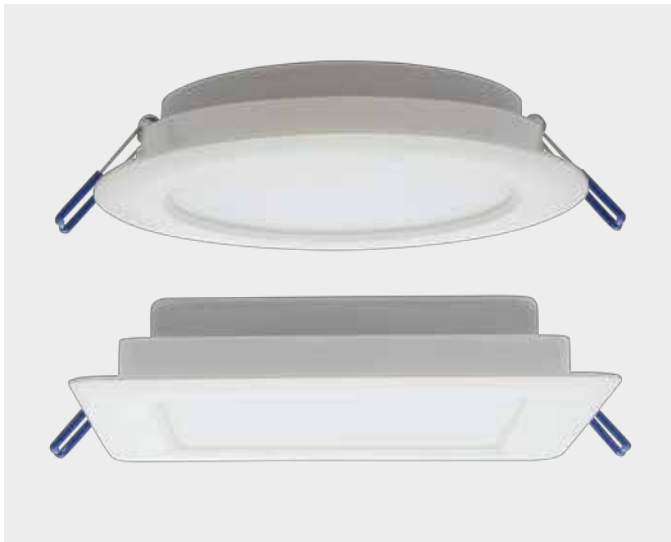


Dimensional Drawing (mm)



Installation Opening Drawing (mm)





LED Downlight Slim EcoMax

- Very flat design, only 34mm height
- Available both in round and square version
- Two lumen packages
- Efficacy up to 85 lm/W
- Flicker-free



Specifications

Item Code	Item Description	Equivalent to (W)	Power (W)	Lumen	Efficacy (lm/W)	CCT (K)
140056557	LEDDownlightRc-SI-E Rd150-12W-3000-WH	CFL 1x18W	12	1020	85	3000
140056558	LEDDownlightRc-SI-E Rd150-12W-4000-WH	CFL 1x18W	12	1020	85	4000
140056559	LEDDownlightRc-SI-E Rd200-24W-3000-WH	CFL 2x26W	24	2040	85	3000
140056560	LEDDownlightRc-SI-E Rd200-24W-4000-WH	CFL 2x26W	24	2040	85	4000
140056561	LEDDownlightRc-SI-E Sq150-12W-3000-WH	CFL 1x18W	12	1020	85	3000
140056562	LEDDownlightRc-SI-E Sq150-12W-4000-WH	CFL 1x18W	12	1020	85	4000
140056563	LEDDownlightRc-SI-E Sq200-24W-3000-WH	CFL 2x26W	24	2040	85	3000
140056564	LEDDownlightRc-SI-E Sq200-24W-4000-WH	CFL 2x26W	24	2040	85	4000

Available on request with 3- pole Wieland GST18i connector

Accessories



140060653
LEDDownlightRc-SI-E-Adapter-150-175

140060647
LEDDownlightRc-P-SI-E-Adapter-200-225

140060648
LEDDownlightRc-P-SI-E-Adapter-200-250

Technical Specifications

On-/Off-cycles	100,000
Colour consistency (SDCM)	3
Dimmable	No
Beam angle	112 °
Finishing	White RAL9003
Colour rendering index CRI	≥ 80
Degree of protection (IP)	IP44
IP recessed part	IP20
Impact strength	IK02
Protection class	II
Control gear included	Yes
Glow wire test	650 °C
Driver failure rate (at 5,000 hrs)	1 %
Weight (pc/kg)	0.24 / 0.25 / 0.41 / 0.55
Power factor	≥ 0.90

Electrical Supply

Frequency	50/60 Hz
Nominal voltage	220-240 V
Voltage type	AC/DC

Mechanical Properties

Material housing	Plastic
Optical material	Polycarbonate

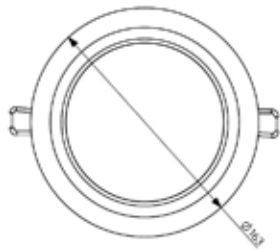
Ambient Conditions

Operating temperature	-10 - 40 °C
Application temperature	25 °C
Storage environment	-25 - 50 °C

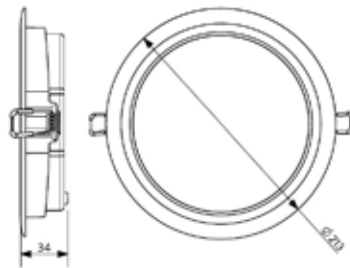


Dimensional Drawing (mm)

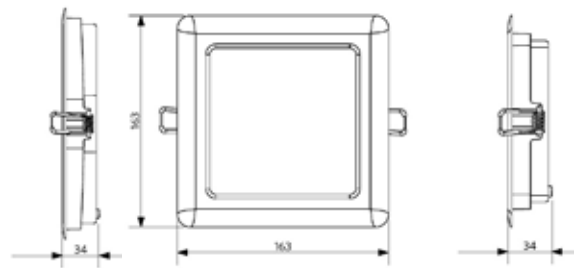
LEDDownlightRc-SI-E Rd150



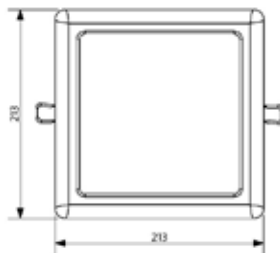
LEDDownlightRc-SI-E Rd200



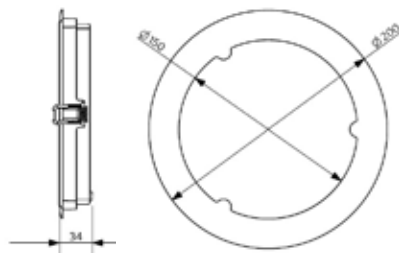
LEDDownlightRc-SI-E Sq150



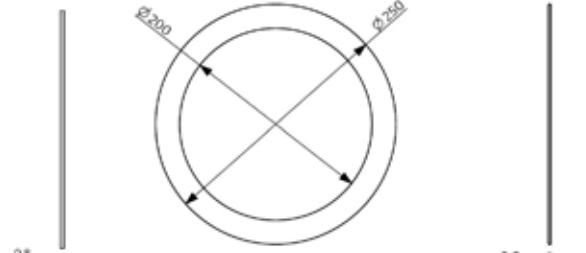
LEDDownlightRc-SI-E Sq200



Adapter-150-175



Adapter-200-225



Installation Opening Drawing (mm)

LEDDownlightRc-SI-E Rd150
Ø150



LEDDownlightRc-SI-E Rd200
Ø200



LEDDownlightRc-SI-E Sq150
150 x 150



LEDDownlightRc-SI-E Sq200
200 x 200





LED Downlight Basic

- Suitable for recessed applications
- Perfect replacement for conventional 1x18W or 2x26W CFL luminaires
- Energy saving up to 60% possible
- Flicker-free light with perfect uniformity
- Easy to install due to integrated LED driver

30,000 h
L70B50

Specifications

Item Code	Item Description	Equivalent to (W)	Power (W)	Lumen	Efficacy (lm/W)	CCT (K)
540001000510	LEDDownlightRc-B Rd150-12W-4000-WH	CFL 1x18W	12	960	80	4000
540001000410	LEDDownlightRc-B Rd200-22W-4000-WH	CFL 2x26W	22	1870	85	4000

Technical Specifications

On-/Off-cycles	100,000
Dimmable	No
Beam angle	110 °
Finishing	White RAL9003
Colour rendering index CRI	≥ 80
Degree of protection (IP)	IP20
Impact strength	IK02
Protection class	II
Control gear included	Yes
Glow wire test	650 °C
Driver failure rate (at 5,000 hrs)	1 %
Weight (pc/kg)	0.15 / 0.25
Power factor	≥ 0.90

Electrical Supply

Frequency	50/60 Hz
Nominal voltage	220-240 V
Voltage type	AC

Mechanical Properties

Material housing	Plastic
Optical material	Plastic

Ambient Conditions

Operating temperature	-10 - 45 °C
Application temperature	25 °C
Storage environment	-25 - 50 °C

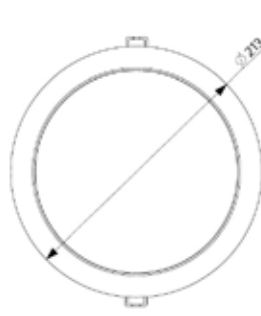


Dimensional Drawing (mm)

LEDDownlightRc-B Rd150-12W



LEDDownlightRc-B Rd200-22W



Installation Opening Drawing (mm)

LEDDownlightRc-B Rd150
Ø150



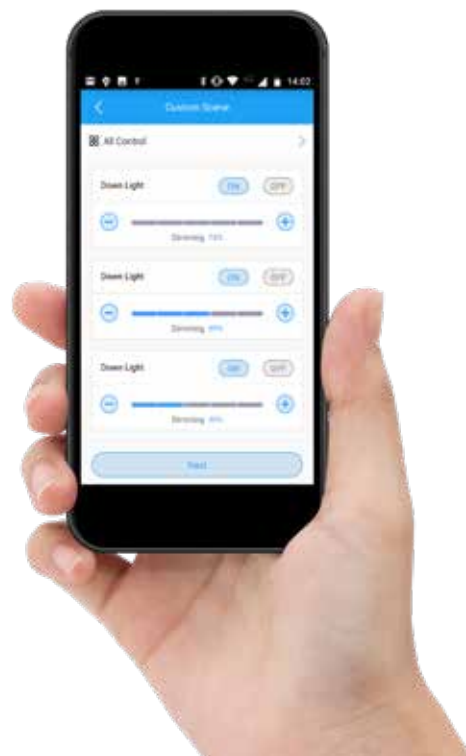
LEDDownlightRc-B Rd200
Ø200





KEY FEATURES

- Bluetooth Low Energy (BLE)
- Create dynamic office lighting
- No extra control wires
- Extremely easy to install
- Maximum energy saving with Smart Sensors
- With OPPLE Smart Lighting App





Smart Lighting System



OPPLE's Smart Lighting system is characterised by extremely simple installation: the luminaires can be fitted into the ceiling and connected to the power supply directly out of the box. No extra wires, fittings, gateways, servers or controllers are required. All luminaires can be controlled via the OPPLE Smart Lighting App and extra energy can be saved with the use of the OPPLE Smart Sensors.



LED Smart Lighting

- Full wireless lighting control with Bluetooth Low Energy (BLE)
- Create dynamic office lighting, without extra control wires
- Extremely easy to install, no control hardware required
- Maximum energy saving by using Smart Sensors
- Easy scene setting via free OPple Smart Lighting App
- Maximum security by coded signals and strict user management



Specifications

Item Code	Item Description	Equivalent to (W)	Power (W)	Lumen	Efficacy (lm/W)	UGR	CCT (K)
140063557	LEDPanelRc-S Sq595-30W-BLE-3000-WH-U19	TL 4x18W	30	3300	110	19	3000
140063558	LEDPanelRc-S Sq595-30W-BLE-4000-WH-U19	TL 4x18W	30	3500	115	19	4000
140063554	LEDPanelRc-S Re295-30W-BLE-3000-WH-U19	TL 2x36W	30	3300	110	19	3000
140063555	LEDPanelRc-S Re295-30W-BLE-4000-WH-U19	TL 2x36W	30	3500	115	19	4000
140063611	LEDDownlightRc-P-HG R150-11.5W-BLE-3000	CFL 1x18W	11.5	1150	100	19	3000
140063612	LEDDownlightRc-P-HG R150-11.5W-BLE-4000	CFL 1x18W	11.5	1200	102	19	4000
140063613	LEDDownlightRc-P-HG R200-15W-BLE-3000	CFL 1x26W	15	1600	105	19	3000
140063614	LEDDownlightRc-P-HG R200-15W-BLE-4000	CFL 1x26W	15	1660	107	19	4000
140063615	LEDDownlightRc-P-HG R200-23W-BLE-3000	CFL 2x26W	23	2350	100	19	3000
140063616	LEDDownlightRc-P-HG R200-23W-BLE-4000	CFL 2x26W	23	2400	102	19	4000
140063617	LEDDownlightRc-P-HG R200-33W-BLE-3000	CFL 2x32W	33	3360	103	22	3000
140063618	LEDDownlightRc-P-HG R200-33W-BLE-4000	CFL 2x32W	33	3500	105	22	4000
140063619	LEDDownlightRc-P-MW R150-11.5W-BLE-3000	CFL 1x18W	11.5	1150	100	19	3000
140063620	LEDDownlightRc-P-MW R150-11.5W-BLE-4000	CFL 1x18W	11.5	1200	102	19	4000
140063621	LEDDownlightRc-P-MW R200-15W-BLE-3000	CFL 1x26W	15	1600	105	19	3000
140063622	LEDDownlightRc-P-MW R200-15W-BLE-4000	CFL 1x26W	15	1660	107	19	4000
140063623	LEDDownlightRc-P-MW R200-23W-BLE-3000	CFL 2x26W	23	2350	100	19	3000
140063624	LEDDownlightRc-P-MW R200-23W-BLE-4000	CFL 2x26W	23	2400	102	19	4000
140063625	LEDDownlightRc-P-MW R200-33W-BLE-3000	CFL 2x32W	33	3360	103	22	3000
140063626	LEDDownlightRc-P-MW R200-33W-BLE-4000	CFL 2x32W	33	3500	105	22	4000

Accessories



140063563
LED Smartlight-Rc-Sensor

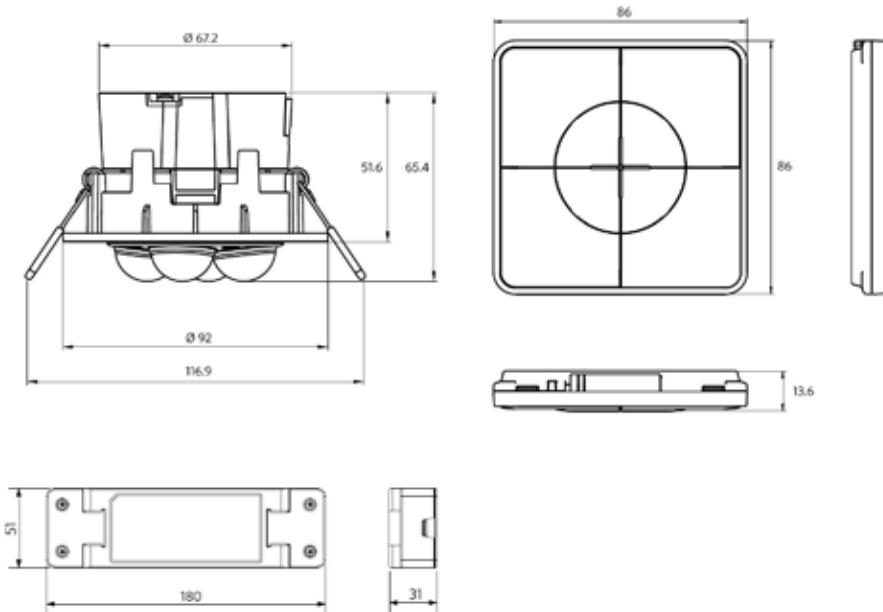


140063564
LED Smartlight-Switch



Sensor range: 10m

Dimensional Drawing (mm)





LED Spot Performer 3C

- Attractive design with basic cylinder and box shapes fit easily into shop architectures
- High lumen packages with high efficacy: up to 3,600 lm and 85 lm/W
- Opple 3C versions are equipped with original Global track adapters
- Fitting common Global/Nordic Aluminium® 3C tracks - and many other standard types
- Available in matte white and matte black versions
- High cost savings due to long lifetime (no lamp replacement)

CRI 90

50,000 h
L70B50

30,000 h
L80B50

Specifications

Item Code	Item Description	Equivalent to (W)	Power (W)	Lumen	Efficacy (lm/W)	CCT (K)	Beam angle
140054439	LEDSpot3C-P 30W-3000-40D-WH	HID 50W	30	2400	80	3000	40°
140054443	LEDSpot3C-P 30W-3000-40D-BL	HID 50W	30	2400	80	3000	40°
140054447	LEDSpot3C-P 30W-4000-40D-WH	HID 50W	30	2550	85	4000	40°
140054451	LEDSpot3C-P 30W-4000-40D-BL	HID 50W	30	2550	85	4000	40°
140058472	LEDSpot3C-P 45W-3000-36D-WH	HID 70W	45	3375	75	3000	36°
140058476	LEDSpot3C-P 45W-3000-36D-BL	HID 70W	45	3375	75	3000	36°
140058480	LEDSpot3C-P 45W-4000-36D-WH	HID 70W	45	3600	80	4000	36°
140058484	LEDSpot3C-P 45W-4000-36D-BL	HID 70W	45	3600	80	4000	36°

Technical Specifications

On-/Off-cycles	100,000
Colour consistency (SDCM)	4
Dimmable	No
Finishing	Matte white, Matte black anti-glare ring / Matte Black, Matte Black anti-glare ring
Colour rendering index CRI	≥ 90
Degree of protection (IP)	IP20
Impact strength	IK02
Protection class	I
Control gear included	Yes
Glow wire test	650 °C
Driver failure rate (at 5,000 hrs)	1 %
Weight (pc/kg)	1.20 / 1.60
Power factor	≥ 0.90

Electrical Supply

Frequency	50/60 Hz
Nominal voltage	220-240 V
Voltage type	AC/DC

Mechanical Properties

Material housing	Die-casted Aluminum
Optical material	Plastic and aluminum
Lens material	Plastic (PC)

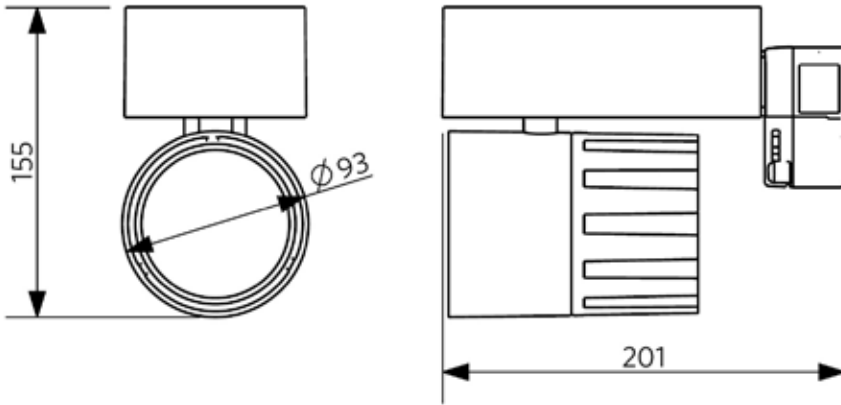
Ambient Conditions

Operating temperature	-25 - 40 °C
Application temperature	25 °C
Storage environment	-25 - 50 °C

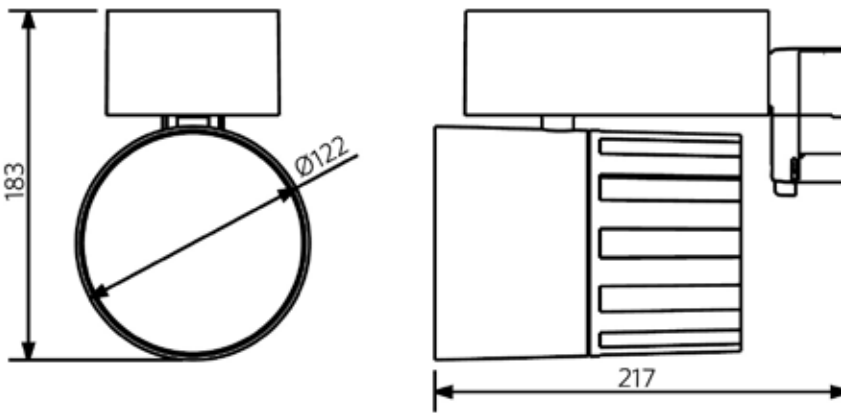


Dimensional Drawing (mm)

LEDSpot3C-P 30W



LEDSpot3C-P 45W





LED Spot Performer RA

- High lumen packages with high efficacy: up to 3,600 lm and 85 lm/W
- Turnable and tiltable
- High cost savings due to long lifetime (no lamp replacement)
- Multiple beam angles and DALI versions available



Specifications

Item Code	Item Description	Equivalent to (W)	Power (W)	Lumen	Efficacy (lm/W)	CCT (K)	Beam angle
140054455	LEDSpotRA-P 30W-3000-40D-WH	HID 35W	30	2400	80	3000	40 °
140054459	LEDSpotRA-P 30W-4000-40D-WH	HID 35W	30	2550	85	4000	40 °
140058488	LEDSpotRA-P 45W-3000-36D-WH	HID 50W	45	3375	75	3000	36 °
140058492	LEDSpotRA-P 45W-4000-36D-WH	HID 50W	45	3600	80	4000	36 °
140063683	LEDSpotRA-P 30W-3000-40D-WH-DALI	HID 35W	30	2400	80	3000	40 °
140063687	LEDSpotRA-P 30W-4000-40D-WH-DALI	HID 35W	30	2550	85	4000	40 °
140063707	LEDSpotRA-P 45W-3000-36D-WH-DALI	HID 50W	45	3375	75	3000	36 °
140063711	LEDSpotRA-P 45W-4000-36D-WH-DALI	HID 50W	45	3600	80	4000	36 °

Technical Specifications

On-/Off-cycles	100,000
Colour consistency (SDCM)	4
Dimmable	No / Yes (DALI)
Finishing	Matte white, Matte black anti-glare ring
Colour rendering index CRI	≥ 90
UGR	19
Degree of protection (IP)	IP20
Impact strength	IK02
Protection class	II
Control gear included	Yes
Glow wire test	650 °C
Driver failure rate (at 5,000 hrs)	1 %
Weight (pc/kg)	0.88 / 0.90 / 1.30 / 1.33
Power factor	≥ 0.90

Electrical Supply

Frequency	50/60 Hz
Nominal voltage	220-240 V
Voltage type	AC/DC

Mechanical Properties

Material housing	Die-casted Aluminum
Optical material	Plastic and aluminum
Lens material	Plastic (PC)

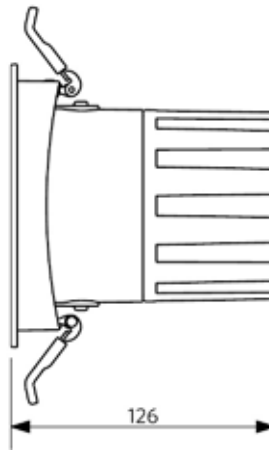
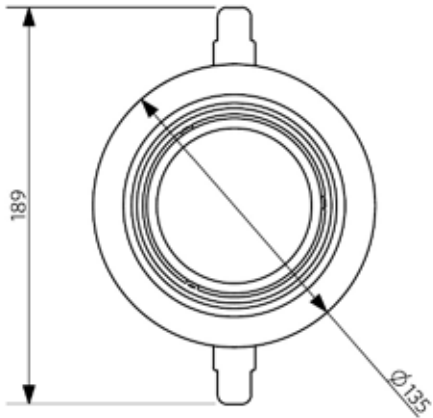
Ambient Conditions

Operating temperature	-25 - 40 °C
Application temperature	25 °C
Storage environment	-25 - 50 °C

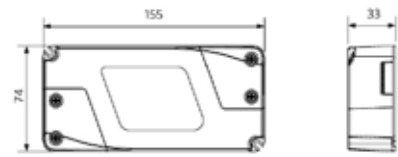


Dimensional Drawing (mm)

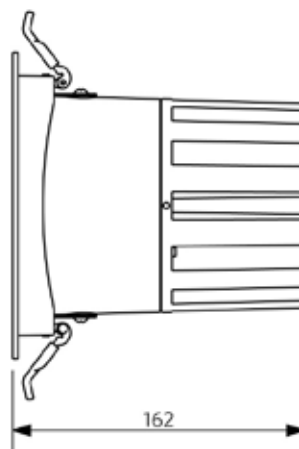
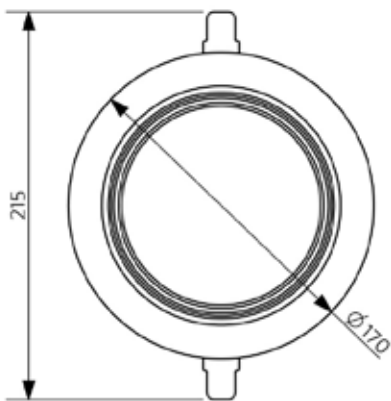
LEDSpotRA-P 30W



LEDSpotRA-P Driver



LEDSpotRA-P 45W



Installation Opening Drawing (mm)

LEDSpotRA-P 30W
 $\varnothing 125$



LEDSpotRA-P 45W
 $\varnothing 150$





LED Spot Round Adjustable HQ

- Attractive luminaire design with comfortable light beam
- Up to 85% lower energy consumption than halogen spotlights
- Unique light mixing technique and optics design, UGR16
- Good beam orientation adjustment, providing great flexibility
- Available in white and aluminum with light colors 2700, 3000 and 4000K



Specifications

Item Code	Item Description	Equivalent to (W)	Power (W)	Lumen	Efficacy (lm/W)	CCT (K)
140044423	LEDSpotRA-HQ 7W-Dim-2700-40D-WH-CT	Halogen 35W	7	400	57	2700
140044096	LEDSpotRA-HQ 7W-Dim-3000-40D-WH-CT	Halogen 35W	7	420	60	3000
140044100	LEDSpotRA-HQ 7W-Dim-4000-40D-WH-CT	Halogen 35W	7	450	64	4000
140044419	LEDSpotRA-HQ 7W-Dim-2700-40D-AL-CT	Halogen 35W	7	400	57	2700
140044080	LEDSpotRA-HQ 7W-Dim-3000-40D-AL-CT	Halogen 35W	7	420	60	3000
140044084	LEDSpotRA-HQ 7W-Dim-4000-40D-AL-CT	Halogen 35W	7	450	64	4000
140061281	LEDSpotRA HQ2 8W-Dim-2700-40D-WH-IP44	Halogen 50W	8	600	75	2700
140061282	LEDSpotRA HQ2 8W-Dim-3000-40D-WH-IP44	Halogen 50W	8	600	75	3000
140061283	LEDSpotRA HQ2 8W-Dim-4000-40D-WH-IP44	Halogen 50W	8	600	75	4000
140061278	LEDSpotRA HQ2 8W-Dim-2700-40D-AL-IP44	Halogen 50W	8	600	75	2700
140061279	LEDSpotRA HQ2 8W-Dim-3000-40D-AL-IP44	Halogen 50W	8	600	75	3000
140061280	LEDSpotRA HQ2 8W-Dim-4000-40D-AL-IP44	Halogen 50W	8	600	75	4000

Technical Specifications

On-/Off-cycles	100,000
Colour consistency (SDCM)	4
Dimmable	Yes (Triac)
Beam angle	40 °
Finishing	White RAL9003 / Brushed Aluminum RAL 9022
Colour rendering index CRI	≥ 80
UGR	16
Degree of protection (IP)	IP20 / IP44
Impact strength	IK02
Protection class	II
Control gear included	No
Glow wire test	650 °C
Driver failure rate (at 5,000 hrs)	1 %
Weight (pc/kg)	0.19 / 0.40
Power factor	≥ 0.90

Electrical Supply

Frequency	50/60 Hz
Nominal voltage	220-240 V
Voltage type	AC/DC

Mechanical Properties

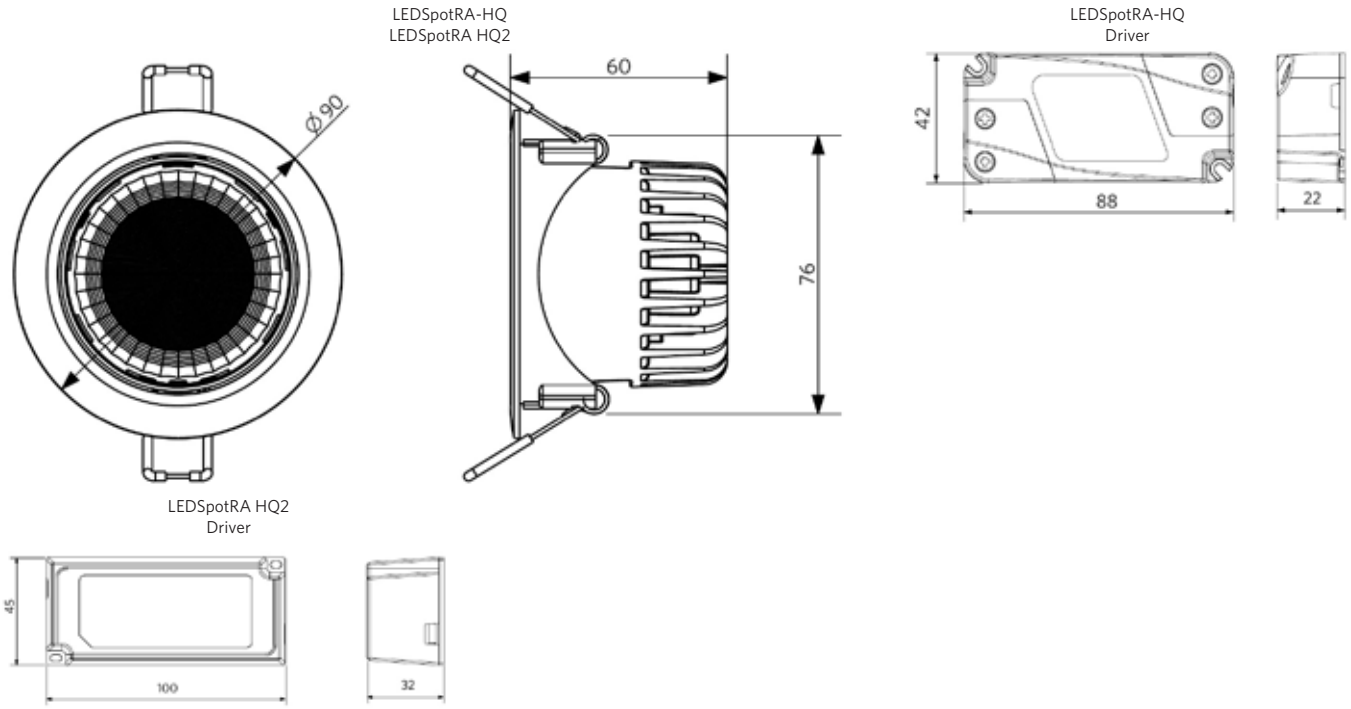
Material housing	Aluminum + Polycarbonate
Optical material	Plastic

Ambient Conditions

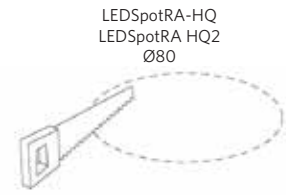
Operating temperature	-10 - 40 °C
Application temperature	25 °C
Storage environment	-25 - 50 °C



Dimensional Drawing (mm)



Installation Opening Drawing (mm)





LED Spot EcoMax

- Fixed spotlight range with universal 68 mm cut-out
- Direct replacement for majority of halogen spotlights
- Over 85% savings of energy costs compared to halogen 35W and 50W
- Available in matt white and brushed aluminium finishes
- Can be used in e.g. bathrooms and related environments



Specifications

Item Code	Item Description	Equivalent to (W)	Power (W)	Lumen	Efficacy (lm/W)	CCT (K)	Beam angle
140054076	LEDSpotRF-E 4.5W-2700-36D-AL-CT	Halogen 35W	4.5	330	73	2700	36°
140054077	LEDSpotRF-E 4.5W-4000-36D-AL-CT	Halogen 35W	4.5	350	78	4000	36°
140054078	LEDSpotRF-E 4.5W-2700-36D-WH-CT	Halogen 35W	4.5	330	73	2700	36°
140054079	LEDSpotRF-E 4.5W-4000-36D-WH-CT	Halogen 35W	4.5	350	78	4000	36°
140055457	LEDSpotRF-E 7W-2700-36D-AL	Halogen 50W	7	510	73	2700	36°
140055458	LEDSpotRF-E 7W-4000-36D-AL	Halogen 50W	7	530	76	4000	36°
140055459	LEDSpotRF-E 7W-2700-36D-WH	Halogen 50W	7	510	73	2700	36°
140055460	LEDSpotRF-E 7W-4000-36D-WH	Halogen 50W	7	530	76	4000	36°

Technical Specifications

On-/Off-cycles	100,000
Colour consistency (SDCM)	4
Dimmable	No
Finishing	Brushed aluminum front, Matte black back / Matte White
Colour rendering index CRI	≥ 80
Degree of protection (IP)	IP44
IP recessed part	IP20
Impact strength	IK02
Protection class	II
Control gear included	Yes
Glow wire test	650 °C
Driver failure rate (at 5,000 hrs)	1 %
Weight (pc/kg)	0.08 / 0.08
Power factor	≥ 0.90

Electrical Supply

Frequency	50/60 Hz
Nominal voltage	220-240 V
Voltage type	AC/DC

Mechanical Properties

Material housing	Plastic (PC/ABS)
Optical material	Plastic (PC)

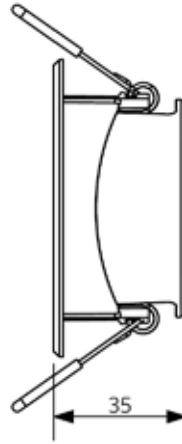
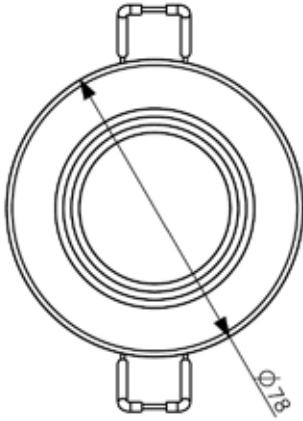
Ambient Conditions

Operating temperature	-25 - 40 °C
Application temperature	25 °C
Storage environment	-25 - 50 °C



Dimensional Drawing (mm)

LEDSpotRF-E



Installation Opening Drawing (mm)

LEDSpotRF-E
 $\varnothing 68$





LED Recessed Spot Ava

- Energy saving up to 80% in comparison to a traditional light source
- Adjustable tilt 0-25°, also for IP44 versions
- Beam angle of 30° creates a perfect accent light
- Warm white light

IP44



30,000 h
L70B50

20,000 h
L80B50

Specifications

Item Code	Item Description	Equivalent to (W)	Power (W)	Lumen	Efficacy (lm/W)	CCT (K)	Beam angle	Weight (kg/pc)	Energy Level
140049619	LED HRS 7W Dim 2700K 30D Ava MW CT	Halogen 35W	7	310	44	2700	30 °	0.20	A
140049621	LED HRS 7W Dim 2700K 30D Ava BA CT	Halogen 35W	7	310	44	2700	30 °	0.20	A
140049625	LED HRS 9W Dim 2700K 30D Ava MW CT	Halogen 50W	9	430	47	2700	30 °	0.29	A
140049627	LED HRS 9W Dim 2700K 30D Ava BA CT	Halogen 50W	9	430	47	2700	30 °	0.29	A
140058060	LED HRS 7W Dim 2700K 30D Ava IP44 BA	Halogen 35W	7	330	50	2700	30 °	0.34	A
140058061	LED HRS 7W Dim 2700K 30D Ava IP44 MW	Halogen 35W	7	330	50	2700	30 °	0.34	A

Technical Specifications

On-/Off-cycles	50,000
Dimmable	Yes (Triac)
Finishing	Brushed Aluminum / Matte White
Colour rendering index CRI	≥ 80
Degree of protection (IP)	IP20 / IP44
Protection class	II
Control gear included	No

Electrical Supply

Frequency	50/60 Hz
Nominal voltage	220-240 V
Voltage type	AC

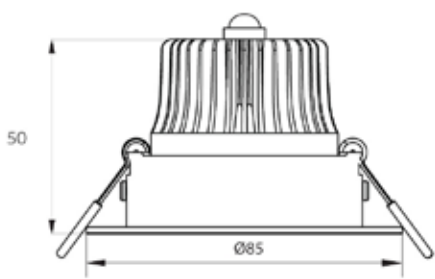
Ambient Conditions

Operating temperature	-20 - 40 °C
Application temperature	25 °C
Storage environment	-25 - 50 °C

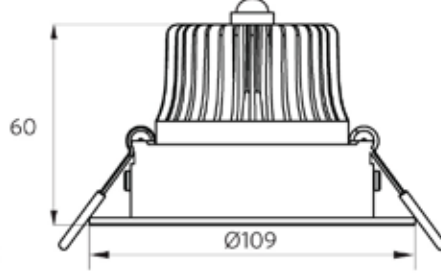


Dimensional Drawing (mm)

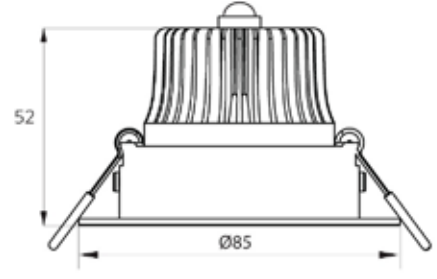
LED HRS 7W Dim 2700K 30D Ava



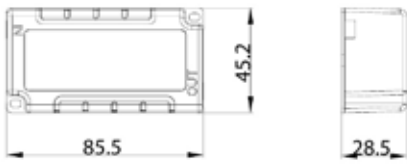
LED HRS 9W Dim 2700K 30D Ava



LED HRS 7W Dim 2700K 30D Ava IP44



LED HRS 7W Dim 2700K 30D Ava
Driver



Installation Opening Drawing (mm)

LED HRS 7W Dim 2700K 30D Ava
Ø76



LED HRS 9W Dim 2700K 30D Ava
Ø95





LED Lowbay

- Stylish solution for medium high ceilings in retail and industry
- High efficacy of 100lm/W
- Up to 50% energy saving compared to HID solutions
- Multiple beam angles available



Specifications

Item Code	Item Description	Equivalent to (W)	Power (W)	Lumen	Efficacy (lm/W)	CCT (K)	Beam angle
545002000600	LEDLowbay-E 30W-4000-60D	CFL 2x26W	30	3000	100	4000	60 °
545002000500	LEDLowbay-E 30W-4000-120D	CFL 2x26W	30	3000	100	4000	120 °
545002000400	LEDLowbay-E 50W-4000-60D	HID 70W	50	5000	100	4000	60 °
545002000300	LEDLowbay-E 50W-4000-120D	HID 70W	50	5000	100	4000	120 °

Technical Specifications

On-/Off-cycles	100,000
Colour consistency (SDCM)	4
Dimmable	No
Finishing	Silver
Colour rendering index CRI	≥ 80
Degree of protection (IP)	IP20
Impact strength	IK03
Protection class	I
Control gear included	Yes
Glow wire test	650 °C
Driver failure rate (at 5,000 hrs)	1 %
Weight (pc/kg)	0.54 / 0.65 / 1.03 / 1.14
Power factor	0.95

Electrical Supply

Frequency	50/60 Hz
Nominal voltage	220-240 V
Voltage type	AC

Mechanical Properties

Material housing	Aluminium
Optical material	Polycarbonate

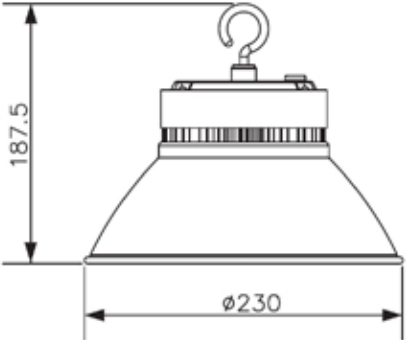
Ambient Conditions

Operating temperature	-20 - 45 °C
Application temperature	25 °C
Storage environment	-30 - 50 °C

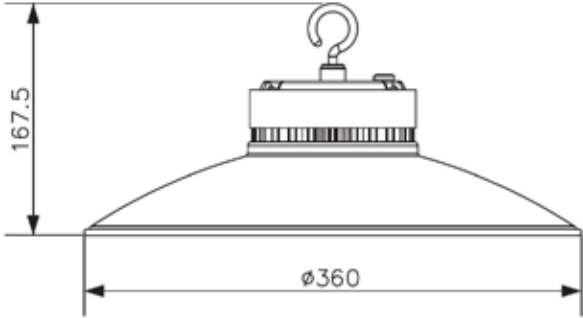


Dimensional Drawing (mm)

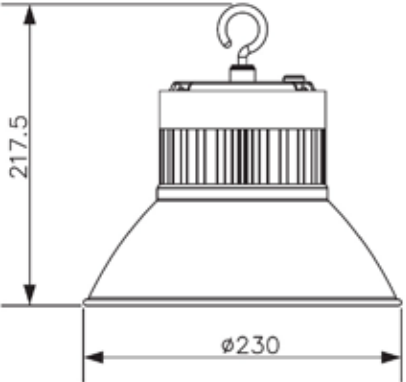
LEDLowbay-E 30W-4000-60D



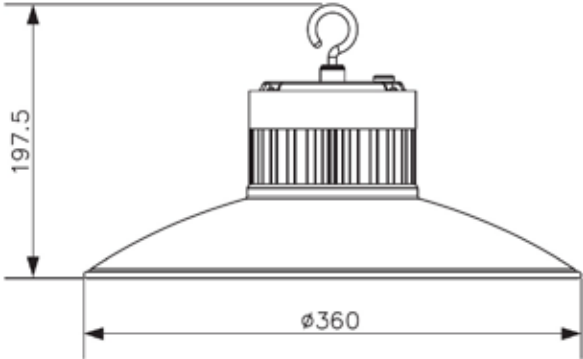
LEDLowbay-E 30W-4000-120D



LEDLowbay-E 50W-4000-60D



LEDLowbay-E 50W-4000-120D





LED Ceiling Light Apollo

- LED Module Clio inside (12W and 16W)
- Easy installation on wall or ceiling
- Uniform, diffused light, creating a pleasant atmosphere
- Provides instant light from the first second
- IP44 versions also suitable for bath rooms and comparable applications
- Choice of warm or cool white light
- Energy saving up to 80% in comparison to a traditional light source

IP44

30,000 h
L70B50

20,000 h
L80B50

Specifications

Item Code	Item Description	Equivalent to (W)	Power (W)	Lumen	Efficacy (lm/W)	CCT (K)	Energy Level
520020000100	LED HC300 12W 2700K Apollo III	GLS 75W	12	1000	83	2700	A+
520020000200	LED HC300 12W 4000K Apollo III	GLS 75W	12	1100	91	4000	A+
520021000300	LED HC350 16W 2700K IP44 Apollo III	GLS 100W	16	1300	81	2700	A+
520021000400	LED HC350 16W 4000K IP44 Apollo III	GLS 100W	16	1400	87	4000	A+

Accessories



140060553
LED Module sensor CT

Sensor range 12m.

Technical Specifications

On-/Off-cycles	100,000
Dimmable	No
Beam angle	120 °
Finishing	White RAL9003
Colour rendering index CRI	≥ 80
Degree of protection (IP)	IP20 / IP44
Protection class	I
Control gear included	Yes

Electrical Supply

Frequency	50/60 Hz
Nominal voltage	220-240 V
Voltage type	AC

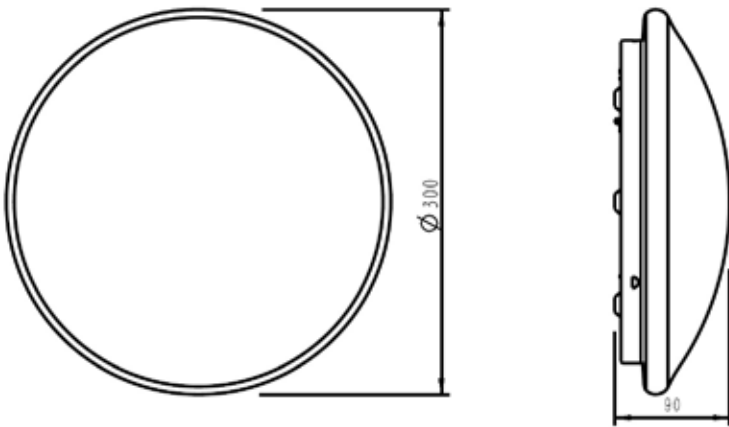
Ambient Conditions

Operating temperature	-20 - 45 °C
Application temperature	25 °C
Storage environment	-25 - 50 °C

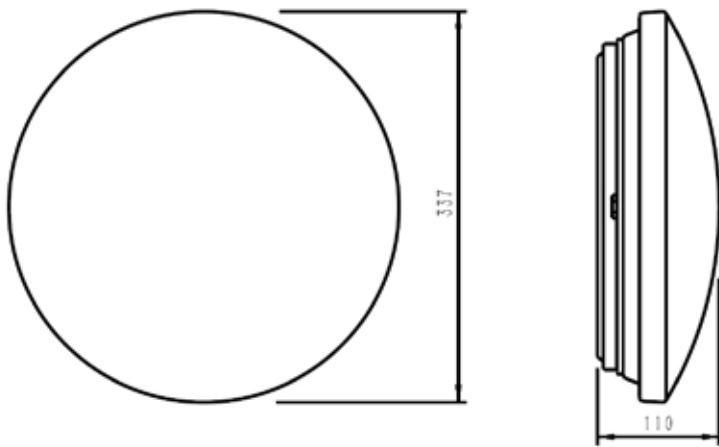


Dimensional Drawing (mm)

LED HC300 12W



LED HC350 16W





LED Ceiling Light Eros

- Uniform, diffused light, creating a pleasant atmosphere
- Easy installation
- Provides instant light from the first second
- Diffuse flicker-free light
- Choice of warm or cool white light
- Energy saving up to 80% in comparison to a traditional light source



Specifications

Item Code	Item Description	Equivalent to (W)	Power (W)	Lumen	Efficacy (lm/W)	CCT (K)	Energy Level
140044135	LED HC260 11W 2700K Eros BS CT	GLS 60W	11	650	60	2700	A
140056303	LED HC350 16W II 2700K Eros BS CT	GLS 100W	16	1100	69	2700	A

Technical Specifications

On-/Off-cycles	50,000
Dimmable	No
Beam angle	115 °
Finishing	Brushed Steel
Colour rendering index CRI	≥ 80
Degree of protection (IP)	IP20
Protection class	I
Control gear included	Yes

Electrical Supply

Frequency	50/60 Hz
Nominal voltage	220-240 V
Voltage type	AC

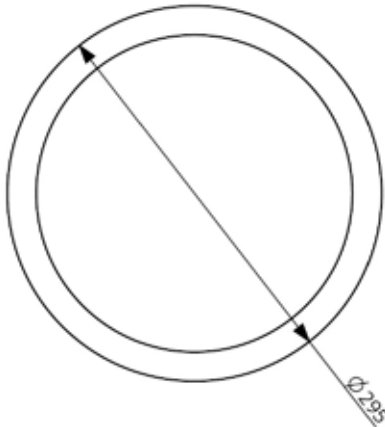
Ambient Conditions

Operating temperature	-20 - 40 °C
Application temperature	25 °C
Storage environment	-25 - 50 °C

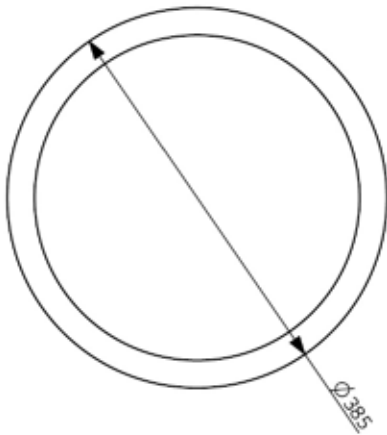


Dimensional Drawing (mm)

LED HC260 11W



LED HC350 16W





LED Ceiling Light Doris

- 2 in 1, ceiling light & recessed downlight
- Easy installation
- Uniform, diffused light, creating a pleasant atmosphere
- Provides instant light from the first second
- Warm white light
- Energy saving up to 80% in comparison to a traditional light source



Specifications

Item Code	Item Description	Equivalent to (W)	Power (W)	Lumen	Efficacy (lm/W)	CCT (K)	Energy Level
140044147	LED HC140 8W 2700K Doris MW CT	GLS 60W	8	600	75	2700	A
140044149	LED HC140 8W 2700K Doris BS CT	GLS 60W	8	600	75	2700	A
140044151	LED HC230 14W 2700K Doris MW CT	GLS 100W	14	1200	86	2700	A
140044153	LED HC230 14W 2700K Doris BS CT	GLS 100W	14	1200	86	2700	A
140044152	LED HC230 14W 4000K Doris MWCT	GLS 100W	14	1200	86	4000	A

Technical Specifications

On-/Off-cycles	50,000
Dimmable	No
Beam angle	115 °
Finishing	Brushed Steel / Matte White
Colour rendering index CRI	≥ 80
Degree of protection (IP)	IP20
Protection class	II
Control gear included	No

Electrical Supply

Frequency	50/60 Hz
Nominal voltage	220-224 V
Voltage type	AC

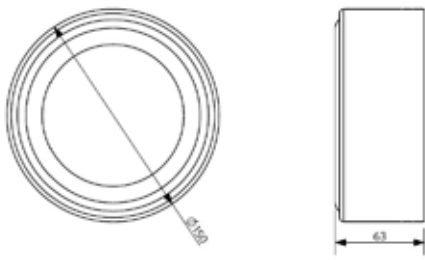
Ambient Conditions

Operating temperature	-20 - 40 °C
Application temperature	25 °C
Storage environment	-25 - 50 °C

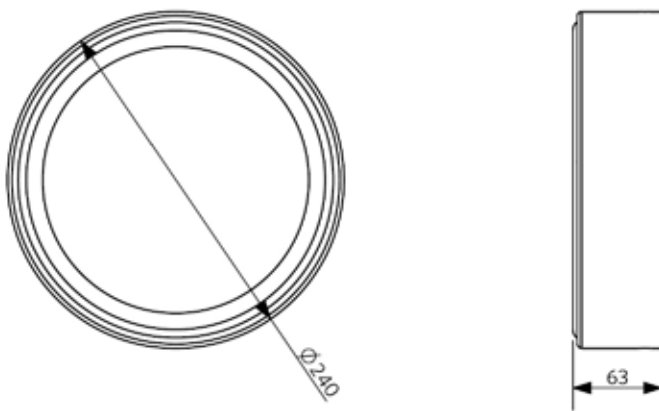


Dimensional Drawing (mm)

LED HC140 8W



LED HC230 14W



Installation Opening Drawing (mm)

LED HC140 8W
 $\varnothing 125$



LED HC230 14W
 $\varnothing 215$





LED Ceiling Light Pallas

- 2 in 1, ceiling light & recessed downlight
- Easy installation
- Uniform, diffused light, creating a pleasant atmosphere
- Provides instant light from the first second
- Warm white light
- Energy saving up to 80% in comparison to a traditional light source



Specifications

Item Code	Item Description	Equivalent to (W)	Power (W)	Lumen	Efficacy (lm/W)	CCT (K)	Energy Level
140044155	LED HC1818 11W 2700K Pallas MW CT	CFL 1x18W	11	900	82	2700	A
140044157	LED HC1818 11W 2700K Pallas BS CT	CFL 1x18W	11	900	82	2700	A
140044159	LED HC2323 12W 2700K Pallas MW CT	CFL 1x18W	12	1050	88	2700	A
140044161	LED HC2323 12W 2700K Pallas BS CT	CFL 1x18W	12	1050	88	2700	A
140044160	LED HC2323 12W 4000K Pallas MW CT	CFL 1x18W	12	1050	88	4000	A

Technical Specifications

On-/Off-cycles	50,000
Dimmable	No
Beam angle	115 °
Finishing	Brushed Steel / Matte White
Colour rendering index CRI	≥ 80
Degree of protection (IP)	IP20
Protection class	II
Control gear included	Yes

Electrical Supply

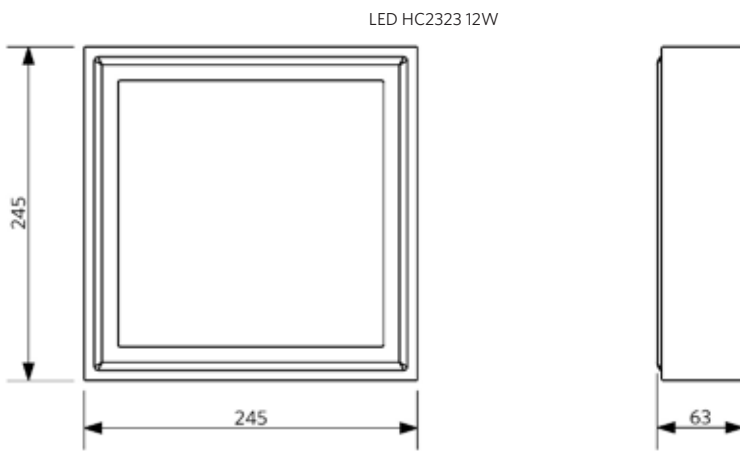
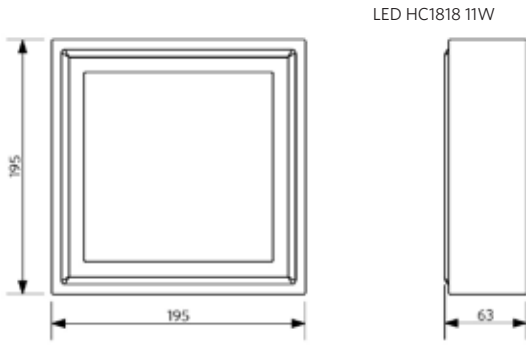
Frequency	50/60 Hz
Nominal voltage	220-230 V
Voltage type	AC

Ambient Conditions

Operating temperature	-20 - 40 °C
Application temperature	25 °C
Storage environment	-25 - 50 °C



Dimensional Drawing (mm)



Installation Opening Drawing (mm)





LED T5 Batten EcoMax



- Uniform, diffused light, creating a pleasant atmosphere
- Trailing edge dimmable
- Up to 50% lower energy consumption
- Battens connect up to 15 meters
- Incl. power cable, connection pieces (fixed and flexible)
- With transparent end caps

Specifications

Item Code	Item Description	Equivalent to (W)	Power (W)	Lumen	Efficacy (lm/W)	CCT (K)	Energy Level
140043898	LED E T5 batten 600 9W 800lm 3000K CT	TL 1x18W	9	800	89	3000	A+
140043899	LED E T5 batten 600 9W 800lm 4000K CT	TL 1x18W	9	800	89	4000	A+
140043900	LED E T5 batten 1200 18W 1600lm 3000K CT	TL 1x36W	18	1600	89	3000	A+
140043901	LED E T5 batten 1200 18W 1600lm 4000K CT	TL 1x36W	18	1600	89	4000	A+
140062784	LED P T5 batten 600 9W DIM 3000K CT	TL 1x18W	9	1000	111	3000	A+
140062783	LED P T5 batten 600 9W DIM 4000K CT	TL 1x18W	9	1000	111	4000	A+
140062786	LED P T5 batten 1200 18W DIM 3000K CT	TL 1x36W	18	2000	111	3000	A+
140062785	LED P T5 batten 1200 18W DIM 4000K CT	TL 1x36W	18	2000	111	4000	A+

Technical Specifications

On-/Off-cycles	100,000
Dimmable	No / Yes (DIM)
Beam angle	140 °
Finishing	White
Colour rendering index CRI	≥ 80
Degree of protection (IP)	IP20
Protection class	II
Control gear included	Yes
Weight (pc/kg)	0.14 / 0.24 / 0.29 / 0.41
Power factor	≥ 0.90

Electrical Supply

Frequency	50/60 Hz
Nominal voltage	220-240 V
Voltage type	AC

Mechanical Properties

Material housing	Plastic
------------------	---------

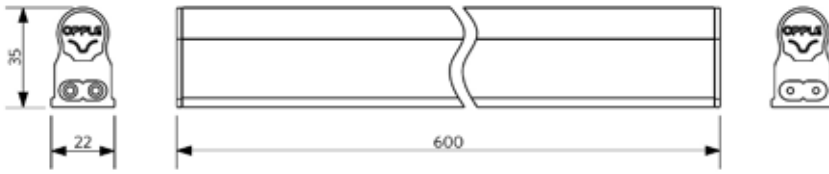
Ambient Conditions

Operating temperature	-20 - 40 °C
Application temperature	25 °C
Storage environment	-25 - 50 °C

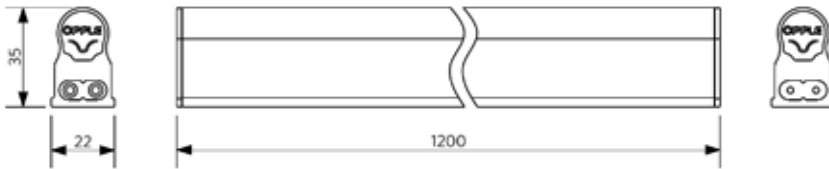


Dimensional Drawing (mm)

LED E T5 batten 600
LED P T5 batten 600



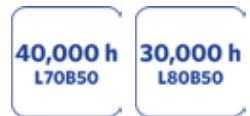
LED E T5 batten 1200
LED P T5 batten 1200





LED T5 Batten S with switch

- Uniform, diffused light, creating a pleasant atmosphere
- Available in 300, 600, 900 and 1200 mm
- Maximum connectivity up to 10 pieces allows maximum flexibility
- Incl. power cable, connection pieces (fixed and flexible)
- Including integrated switch
- Energy saving up to 50%



Specifications

Item Code	Item Description	Equivalent to (W)	Power (W)	Lumen	Efficacy (lm/W)	CCT (K)	Energy Level
140043904	LED E T5 batten 300 4.5W S 3000K BL	TL 1x9W	4.5	400	89	3000	A+
140044077	LED E T5 batten 300 4.5W S 4000K BL	TL 1x9W	4.5	400	89	4000	A+
140043903	LED E T5 batten 600 9W S 3000K BL	TL 1x18W	9	800	89	3000	A+
140044076	LED E T5 batten 600 9W S 4000K BL	TL 1x18W	9	800	89	4000	A+
140043902	LED E T5 batten 900 11W S 3000K BL	TL 1x18W	11	950	86	3000	A+
140044075	LED E T5 batten 900 11W S 4000K BL	TL 1x18W	11	950	86	4000	A+
140044293	LED E T5 batten 1200 13W S 3000K BL	TL 1x30W	13	1200	92	3000	A+
140044292	LED E T5 batten 1200 13W S 4000K BL	TL 1x30W	13	1200	92	4000	A+

Technical Specifications

On-/Off-cycles	100,000
Dimmable	No
Beam angle	140 °
Finishing	White
Colour rendering index CRI	≥ 80
Degree of protection (IP)	IP20
Protection class	II
Control gear included	Yes
Weight (pc/kg)	0.08 / 0.14 / 0.19 / 0.25
Power factor	≥ 0.90

Electrical Supply

Frequency	50/60 Hz
Nominal voltage	220-240 V
Voltage type	AC

Mechanical Properties

Material housing	Plastic
------------------	---------

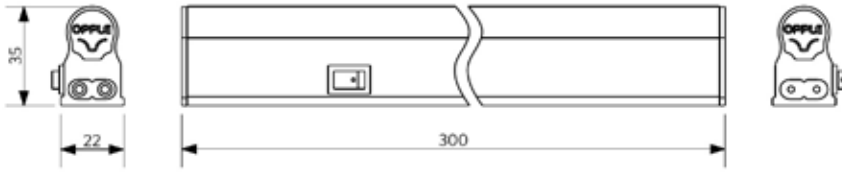
Ambient Conditions

Operating temperature	-20 - 40 °C
Application temperature	25 °C
Storage environment	-25 - 50 °C

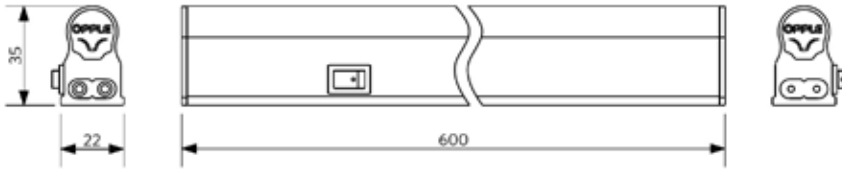


Dimensional Drawing (mm)

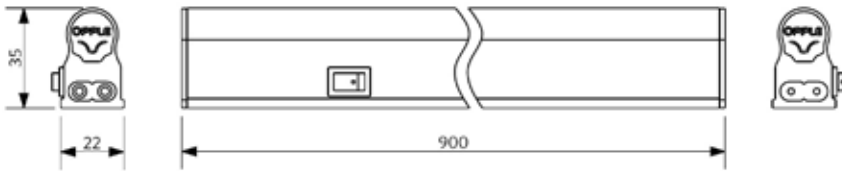
LED E T5 batten 300



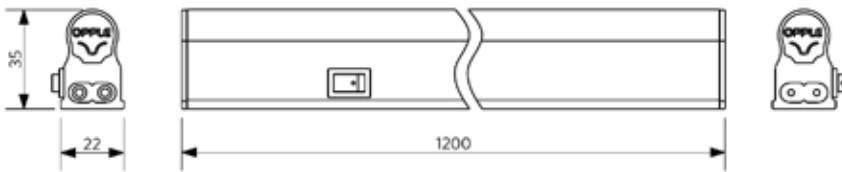
LED E T5 batten 600



LED E T5 batten 900



LED E T5 batten 1200





LED Highbay Performer G3

- Highbay fixture with high efficacy of 125 lm/W
- Up to 80% energy savings compared to 250-400W metal-halide highbay
- Compact yet efficient heat sink structure
- Multiple beam angles and DALI versions available
- Equipped with IP65 connector
- Polycarbonate and opal cover available
- Fit for surface mounting by use of bracket accessory



Specifications

Item Code	Item Description	Equivalent to (W)	Power (W)	Lumen	Efficacy (lm/W)	CCT (K)	Beam angle
140057960	LEDHighbay-P3 80W-4000-60D-GY	HID 250W	80	10000	125	4000	60 °
140057961	LEDHighbay-P3 80W-4000-100D-GY	HID 250W	80	10000	125	4000	100 °
140057962	LEDHighbay-P3 80W-4000-60+100D-GY	HID 250W	80	10000	125	4000	60 ° x 100 °
140057963	LEDHighbay-P3 120W-4000-60D-GY	HID 400W	120	15000	125	4000	60 °
140057964	LEDHighbay-P3 120W-4000-100D-GY	HID 400W	120	15000	125	4000	100 °
140057965	LEDHighbay-P3 120W-4000-60+100D-GY	HID 400W	120	15000	125	4000	60 ° x 100 °
140057966	LEDHighbay-P3 160W-4000-60D-GY	HID 400W	160	20000	125	4000	60 °
140057967	LEDHighbay-P3 160W-4000-100D-GY	HID 400W	160	20000	125	4000	100 °
140057968	LEDHighbay-P3 160W-4000-60+100D-GY	HID 400W	160	20000	125	4000	60 ° x 100 °
140057969	LEDHighbay-P3 80W-DALI-4000-60D-GY	HID 250W	80	10000	125	4000	60 °
140057970	LEDHighbay-P3 80W-DALI-4000-100D-GY	HID 250W	80	10000	125	4000	100 °
140057971	LEDHighbay-P3 80W-DALI-4000-60+100D-GY	HID 250W	80	10000	125	4000	60 ° x 100 °
140057972	LEDHighbay-P3 120W-DALI-4000-60D-GY	HID 400W	120	15000	125	4000	60 °
140057973	LEDHighbay-P3 120W-DALI-4000-100D-GY	HID 400W	120	15000	125	4000	100 °
140057974	LEDHighbay-P3 120W-DALI-4000-60+100D-GY	HID 400W	120	15000	125	4000	60 ° x 100 °
140057975	LEDHighbay-P3 160W-DALI-4000-60D-GY	HID 400W	160	20000	125	4000	60 °
140057976	LEDHighbay-P3 160W-DALI-4000-100D-GY	HID 400W	160	20000	125	4000	100 °
140057977	LEDHighbay-P3 160W-DALI-4000-60+100D-GY	HID 400W	160	20000	125	4000	60 ° x 100 °

Accessories



140060030
LEDHighbay-P3-Bracket-80-120

140044050
LEDHighbay-Bracket10-CT



140044049
LEDHighbay-POLE-CT



140064595
LEDHighbay-P3-Ball-Proof-80-120

140064594
LEDHighbay-P3-Ball-Proof-160



140060028
LEDHighbay-P3-Glass-Opal-80-120

140060029
LEDHighbay-P3-Glass-Opal-160



140063029
LEDHighbay-P3-PC-Clear-80-120

140063027
LEDHighbay-P3-PC-Opal-80-120

140063030
LEDHighbay-P3-PC-Clear-160

140063028
LEDHighbay-P3-PC-Opal-160

Bracket 10 fits 160W versions, Bracket 80-120W fits 80-120W versions.
 Glass Opal 80-120 fits 80-120W versions, Glass Opal 160 fits 160W versions.

Technical Specifications

On-/Off-cycles	100,000
Colour consistency (SDCM)	5
Dimmable	No / Yes (DALI)
Finishing	Grey 417U
Colour rendering index CRI	≥ 80
Degree of protection (IP)	IP65
Impact strength	IK08
Protection class	I
Control gear included	Yes
Glow wire test	650 °C
Driver failure rate (at 5,000 hrs)	1 %
Weight (pc/kg)	4.20 / 6.00
Power factor	≥ 0.90

Electrical Supply

Frequency	50/60 Hz
Nominal voltage	220-240 V
Voltage type	AC/DC

Mechanical Properties

Material housing	Aluminium
Optical material	PC + Glass
Cover material	PC + Glass

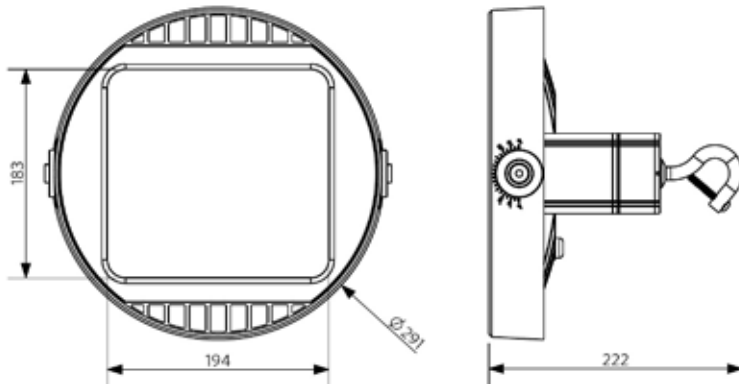
Ambient Conditions

Operating temperature	-25 - 50 °C
Application temperature	25 °C
Storage environment	-25 - 50 °C

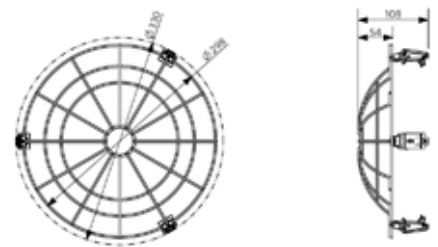


Dimensional Drawing (mm)

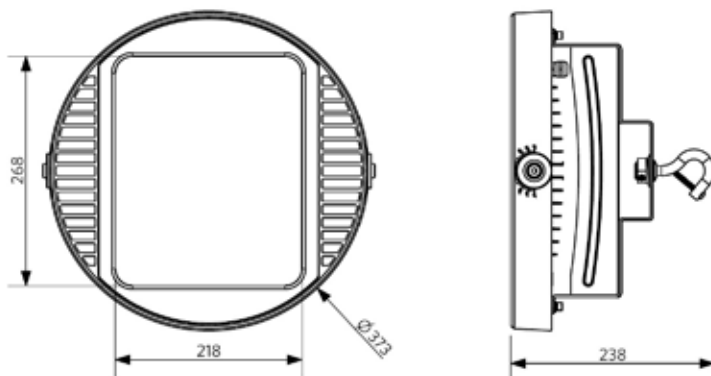
LEDHighbay-P3 80W
LEDHighbay-P3 120W



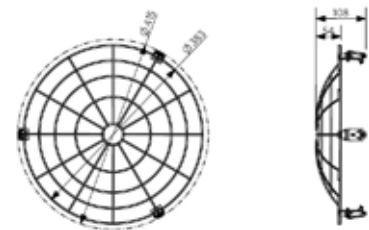
LEDHighbay-P3-Ball-Proof-80-120



LEDHighbay-P3 160W



LEDHighbay-P3-Ball-Proof-160



HIGHBAY

Check our website for more detailed product specifications.





LED Waterproof Performer G2

- NEW: 75W and 90W versions available
- Waterproof luminaire with high efficacy up to 130 lm/W
- Available in 3 lengths and 8 lumen packages
- Up to 60% lower energy consumption compared to traditional TL lighting
- Specific "sealed for life" design for LED (IP65)
- Quick installation with through wiring and easy end-cap connections
- Standard delivered with stainless steel ceiling and suspension clips



Specifications

Item Code	Item Description	Equivalent to (W)	Power (W)	Lumen	Efficacy (lm/W)	CCT (K)
140057864	LEDWaterproof-P2 L653-12.5W-4000	TL 1x18W	12.5	1375	110	4000
140057865	LEDWaterproof-P2 L653-23W-4000	TL 2x18W	23	2530	110	4000
140057866	LEDWaterproof-P2 L1263-23W-4000	TL 1x36W	23	2530	110	4000
140057867	LEDWaterproof-P2 L1263-40W-4000	TL 2x36W	40	4400	110	4000
140057868	LEDWaterproof-P2 L1563-27W-4000	TL 1x58W	27	2970	110	4000
140057869	LEDWaterproof-P2 L1563-51W-4000	TL 2x58W	51	5610	110	4000
140058166	LEDWaterproof-P2 L1563-51W-6500	TL 2x58W	51	5610	110	6500
543022000200	LEDWaterproof-P2 L1563-75W-4000	TL 2x80W	75	9375	125	4000
543022000100	LEDWaterproof-P2 L1563-90W-4000	2x TLM 140W RS	90	11700	130	4000
140057870	LEDWaterproof-P2 L653-13W-DALI-4000	TL 1x18W	13	1430	110	4000
140057871	LEDWaterproof-P2 L653-24W-DALI-4000	TL 2x18W	24	2640	110	4000
140057872	LEDWaterproof-P2 L1263-24W-DALI-4000	TL 1x36W	24	2640	110	4000
140057873	LEDWaterproof-P2 L1263-45W-DALI-4000	TL 2x36W	45	4950	110	4000
140057874	LEDWaterproof-P2 L1563-28W-DALI-4000	TL 1x58W	28	3080	110	4000
140057875	LEDWaterproof-P2 L1563-55W-DALI-4000	TL 2x58W	55	6050	110	4000
140058167	LEDWaterproof-P2 L1563-55W-DALI-6500	TL 2x58W	55	6050	110	6500

Emergency lighting available on request, incl. 1hr battery pack(not for 75W and 90W)

Available on request with 3- or 5- pole Wieland GST18i connector

Technical Specifications

On-/Off-cycles	100,000
Colour consistency (SDCM)	4
Dimmable	No / Yes (DALI)
Beam angle	110 °
Finishing	Grey RAL 7035
Colour rendering index CRI	≥ 80
Degree of protection (IP)	IP65
Impact strength	IK08
Protection class	I
Control gear included	Yes
Glow wire test	650 °C
Driver failure rate (at 5,000 hrs)	0.5 %
Weight (pc/kg)	0.89 / 0.93 / 1.44 / 1.47 / 1.71 / 1.73 / 1.80 / 2.21
Power factor	≥ 0.90

Electrical Supply

Frequency	50/60 Hz
Nominal voltage	220-240 V
Voltage type	AC/DC

Mechanical Properties

Material housing	Plastic
Optical material	Plastic and aluminum
Ceiling clips	Stainless steel

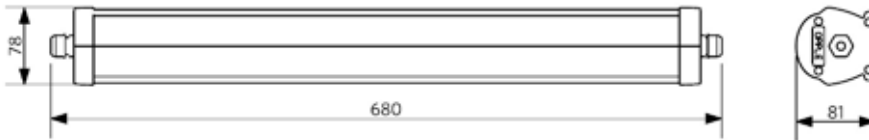
Ambient Conditions

Operating temperature	-20 - 40 °C
Application temperature	25 °C
Storage environment	-25 - 50 °C



Dimensional Drawing (mm)

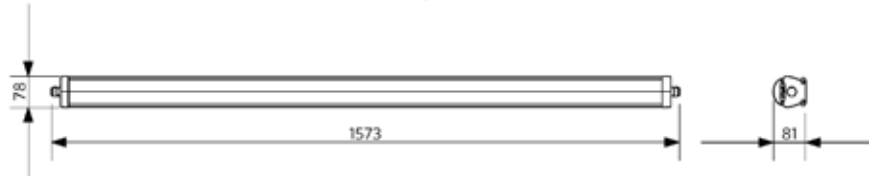
LEDWaterproof-P2 L653



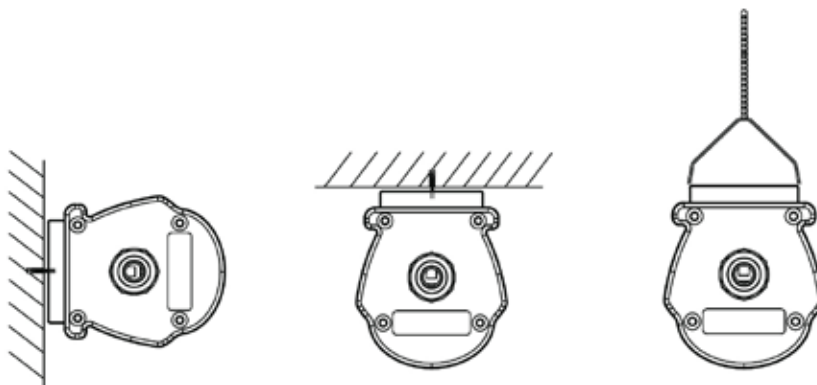
LEDWaterproof-P2 L1263



LEDWaterproof-P2 L1563



Installation Possibilities





LED Waterproof EcoMax

- Waterproof luminaire in "sealed for life" concept
- Available in 3 lengths and 7 lumen packages, with efficacy up to 100 lm/W
- Quick and easy installation with through wiring at end caps
- Up to 50% lower energy consumption compared to traditional TL lighting



Specifications

Item Code	Item Description	Equivalent to (W)	Power (W)	Lumen	Efficacy (lm/W)	CCT (K)
140057384	LEDWaterproof-E L650-10W-4000-FR	TL 1x18W	10	1000	100	4000
140057385	LEDWaterproof-E L650-23W-4000-FR	TL 2x18W	23	2100	90	4000
140057386	LEDWaterproof-E L1250-20W-4000-FR	TL 1x36W	20	2000	100	4000
140057387	LEDWaterproof-E L1250-43W-4000-FR	TL 2x36W	43	3900	90	4000
140057388	LEDWaterproof-E L1550-29W-4000-FR	TL 1x58W	29	2900	100	4000
140057389	LEDWaterproof-E L1550-57W-4000-FR	TL 2x58W	57	5200	90	4000
140058165	LEDWaterproof-E L1550-57W-6500-FR	TL 2x58W	57	5400	95	6500

Technical Specifications

On-/Off-cycles	100,000
Colour consistency (SDCM)	4
Dimmable	No
Beam angle	110 °
Finishing	Grey 421C
Colour rendering index CRI	≥ 80
Degree of protection (IP)	IP65
Impact strength	IK08
Protection class	II
Control gear included	Yes
Glow wire test	650 °C
Driver failure rate (at 5,000 hrs)	0.5 %
Weight (pc/kg)	0.62 / 1.12 / 1.16
Power factor	≥ 0.90

Electrical Supply

Frequency	50/60 Hz
Nominal voltage	220-240 V
Voltage type	AC/DC

Mechanical Properties

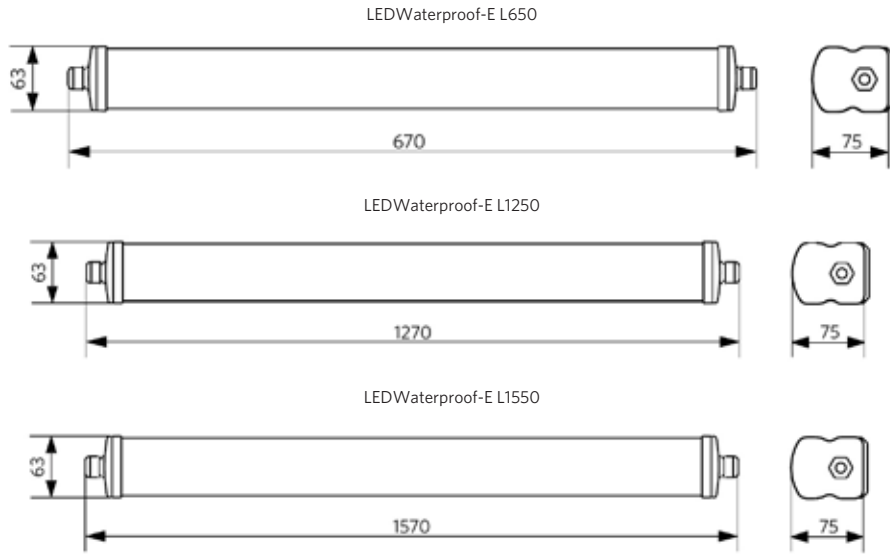
Material housing	Polycarbonate
Optical material	Polycarbonate

Ambient Conditions

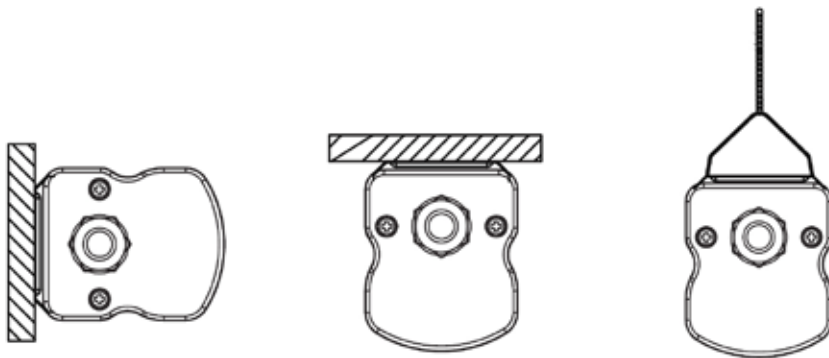
Operating temperature	-20 - 45 °C
Application temperature	25 °C
Storage environment	-25 - 50 °C



Dimensional Drawing (mm)



Installation Possibilities



Check our website for more detailed product specifications.





LED T8 Batten

- Plug & play installation
- High lumen efficiency up to 105 lm/w
- Delivered with clips for surface mounted installation
- Suspension possible with separate accessory kit
- Multiple luminaire connection via middle connector accessory
- Energy saving up to 55%



Specifications

Item Code	Item Description	Equivalent to (W)	Power (W)	Lumen	Efficacy (lm/W)	CCT (K)
140063301	LED T8 Batten 600mm 19W 3000K CT	TL 2x18W	19	1800	95	3000
140063302	LED T8 Batten 600mm 19W 4000K CT	TL 2x18W	19	1900	100	4000
140063303	LED T8 Batten 600mm 19W 6500K CT	TL 2x18W	19	1900	100	6500
140063304	LED T8 Batten 1200mm 38W 3000K CT	TL 2x36W	38	3800	100	3000
140063305	LED T8 Batten 1200mm 38W 4000K CT	TL 2x36W	38	4000	105	4000
140063306	LED T8 Batten 1200mm 38W 6500K CT	TL 2x36W	38	4000	105	6500

Accessories



140063307
LED T8 Batten connector



140063308
LED T8 Batten suspension Kit

Technical Specifications

On-/Off-cycles	100,000
Dimmable	No
Beam angle	120 °
Finishing	White
Colour rendering index CRI	≥ 80
Degree of protection (IP)	IP20
Impact strength	IK02
Protection class	I
Control gear included	Yes
Weight (pc/kg)	0.29 / 0.47
Power factor	≥ 0.90

Electrical Supply

Frequency	50/60 Hz
Nominal voltage	220-240 V
Voltage type	AC

Mechanical Properties

Material housing	Aluminium
------------------	-----------

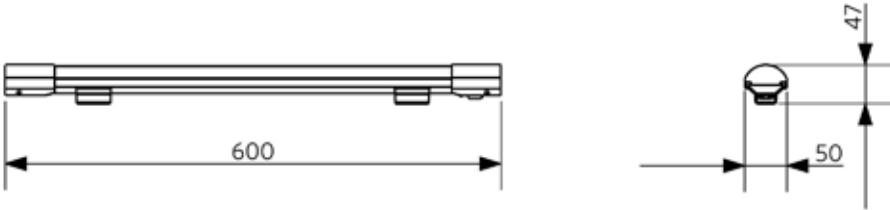
Ambient Conditions

Operating temperature	-10 - 40 °C
Application temperature	25 °C
Storage environment	-25 - 50 °C



Dimensional Drawing (mm)

LED T8 Batten 600mm 19W



LED T8 Batten 1200mm 38W



Check our website for more detailed product specifications.





M-Class Roads

Luminaire	Illuminance Class	Street width [m]	Maximum pole distance[m]	Pole height [m]	Boom angle [°]	Light overhang [m]
140065922-LEDStreetlight 20W-4000K-SE	M5	4	26	5	5	0,1
		5	24	5	5	0,3
		6	22	5	5	0,4
	M6	4	35	7	5	0,2
		5	34	6,5	5	0,1
		6	32	6,5	5	0,5
140066385-LEDStreetlight 40W-4000K-SE	M5	4	37	7,5	5	0,4
		5	36	7	5	0,2
		6	34	7	5	0,4
	M6	4	49	10	5	0,5
		5	48	9,5	5	0,1
		6	46	9,5	5	0,5
543014002700-LEDStreetlight 65W-4000K-SE	M4	5	34	8,5	5	0,3
		6	33	8,5	5	0,4
		7	32	8	5	0,4
	M5	8	30	8	5	0,5
		5	47	10	5	0,3
		6	46	9,5	5	0,3
		7	44	9,5	5	0,5
		8	41	9,5	5	0,5

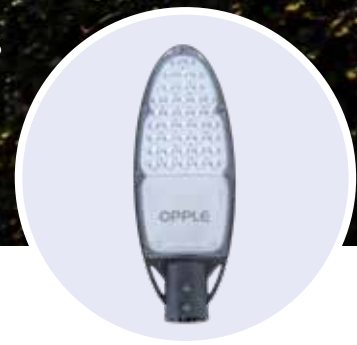
Version April 2018
Data subject to change
64

P-Class Roads

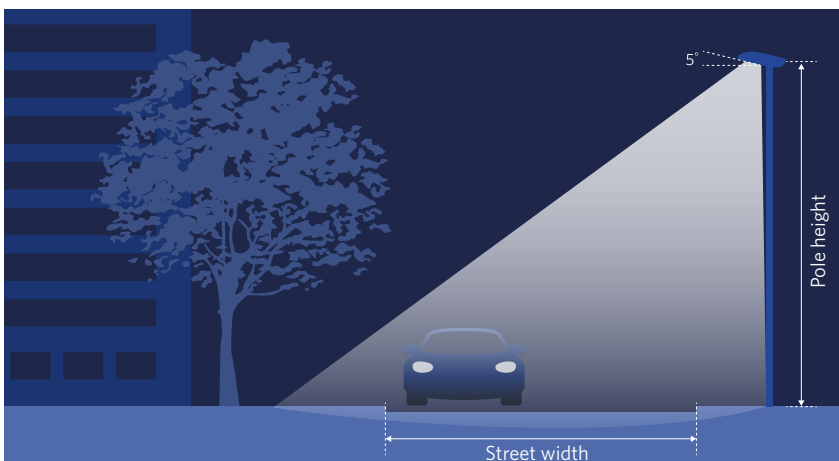
Luminaire	Illuminance Class	Street width [m]	Maximum pole distance[m]	Pole height [m]	Boom angle [°]	Light overhang [m]
140065922-LEDStreetlight 20W-4000K-SE	P2	3	24	4,5	5	0
		4	23	4	5	0
		5	23	4	5	0,5
	P4	6	20	4	5	0,3
		3	35	6,5	5	0,5
		4	35	6,5	5	0,3
140066385-LEDStreetlight 40W-4000K-SE	P2	5	34	6	5	0,1
		6	33	6	5	0,5
		3	32	6	5	0,4
	P4	4	32	6,5	5	0,5
		5	32	6	5	0,2
		6	31	5,5	5	0,2
543014002700-LEDStreetlight 65W-4000K-SE	P2	3	47	9	5	0,1
		4	47	9	5	0,3
		5	46	9	5	0,5
	P4	6	46	8,5	5	0,3
		4	43	8,5	5	0,3
		5	42	8	5	0,1
		6	41	8,5	5	0,3
		7	41	8	5	0,5

LED Streetlight

This new addition to OPPLÉ's portfolio is an excellent solution for your outdoor lighting needs. The LED Streetlight is attractively styled and extremely compact. The luminaire features a sturdy aluminium housing that guarantees optimal thermal performance. The luminaire's lens system produces an uniform lighting pattern and complies with all current road lighting standards.



Maximum Pole Distances



Lighting Class according to EN 13201: 2015

Lighting Calculation details:

- Roadway surface CIE R3 Qo: 0.7
- Maintenance factor: 0.8
- Arrangement type: single side bottom

All rights reserved. No rights can be derived from the provided information.



LED Streetlight

- Up to 60% energy saving compared to HID streetlight
- High efficacy up to 125 lm/W
- Low glare & precise optical design
- Various applications: from parking lots, residential areas to smaller and urban roads
- Accessories available for many pole types



Specifications

Item Code	Item Description	Equivalent to (W)	Power (W)	Lumen	Efficacy (lm/W)	CCT (K)
140065922	LEDStreetlight 20W-4000K-SE	HID 50W	20	2500	125	4000
140066385	LEDStreetlight 40W-4000K-SE	HID 70W	40	4600	115	4000
543014002700	LEDStreetlight 65W-4000K-SE	HID 100W	65	7475	115	4000

Accessories



543098001100
LEDStreet-SE-Wall-Bracket



543098000800
LEDStreet-SE-Adapter-60



543098001000
LEDStreet-SE-Pole-Top-Adapter-60



543098000900
LEDStreet-SE-Pole-Top-Adapter-76

Technical Specifications

On-/Off-cycles	100,000
Colour consistency (SDCM)	6
Dimmable	No
Beam angle	150 ° x 70 °
Finishing	Grey RAL 870-3
Colour rendering index CRI	≥ 80
Degree of protection (IP)	IP65
Impact strength	IK08
Protection class	I
Control gear included	Yes
Glow wire test	650 °C
Driver failure rate (at 5,000 hrs)	1 %
Weight (pc/kg)	1.25
Power factor	0.95
Surge protection	4 kV

Electrical Supply

Frequency	50/60 Hz
Nominal voltage	220-240 V
Voltage type	AC

Mechanical Properties

Material housing	Aluminium
Optical material	Polycarbonate
Compatible pole Ø	36-42 mm
Effective wind area	385 cm ²

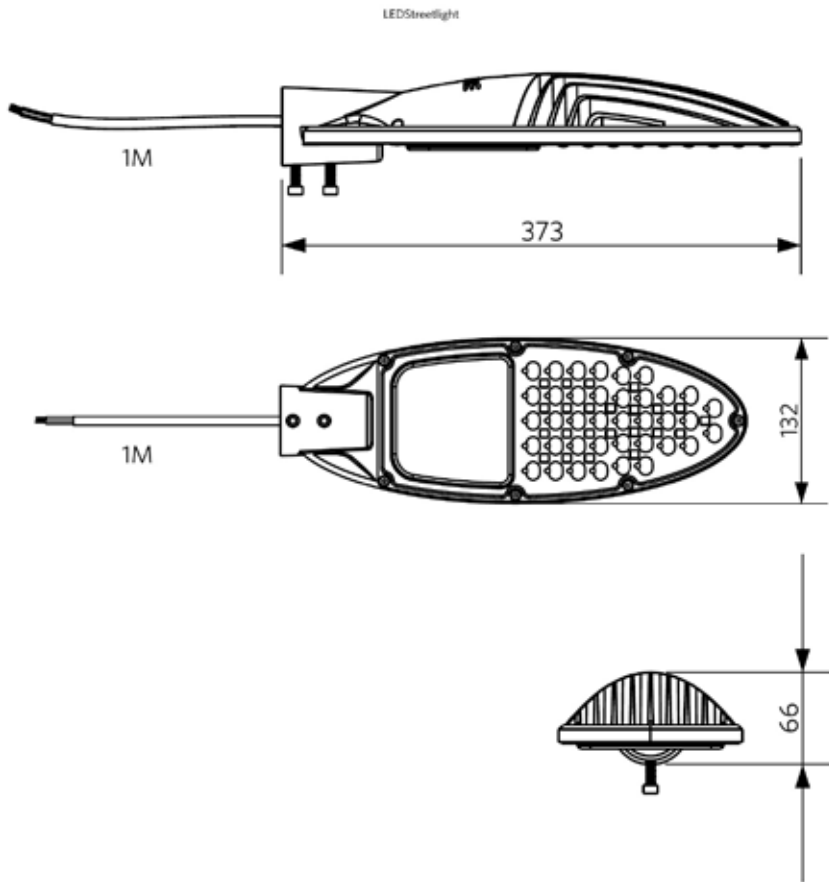
Ambient Conditions

Operating temperature	-30 - 50 °C
Application temperature	25 °C
Storage environment	-30 - 65 °C

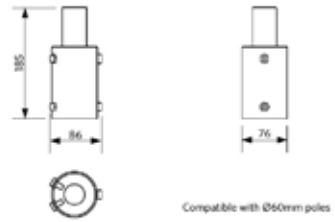


Dimensional Drawing (mm)

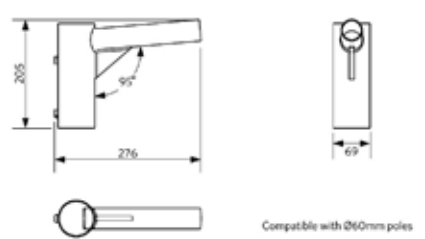
LEDStreetlight



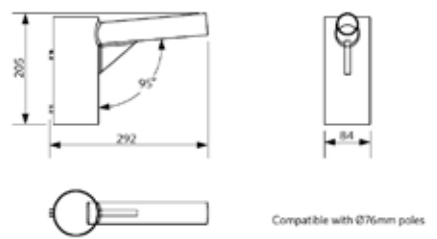
LEDStreetlight Adapter 60



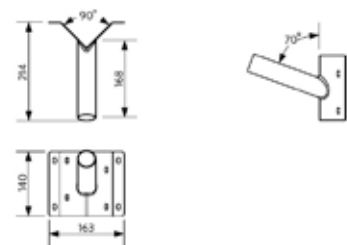
LEDStreetlight Pole Top Adapter 60



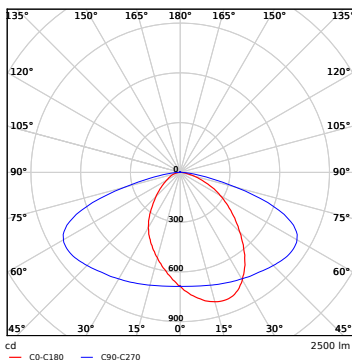
LEDStreetlight Pole Top Adapter 76



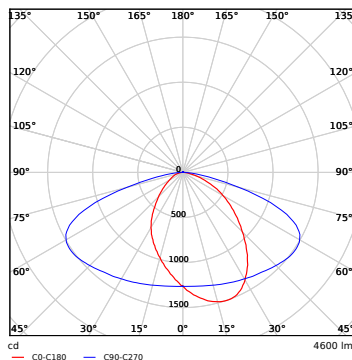
LEDStreetlight Wall Bracket



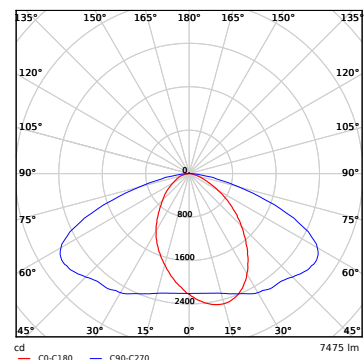
Polar Diagrams



LEDStreetlight 20W-4000K-SE



LEDStreetlight 40W-4000K-SE



LEDStreetlight 65W-4000K-SE

Check our website for more detailed product specifications.





LED Floodlight EcoMax 10W/20W

- Slim aluminium body with integrated heatsink and clipless cover
- Robust and water- and dustproof
- High energy saving compared to halogen and high pressure sodium lamps
- Also in available 3000K and white housing
- Compatible brackets and ground spikes available
- IP65 daylight and motion sensor accessory available



Specifications

Item Code	Item Description	Equivalent to (W)	Power (W)	Lumen	Efficacy (lm/W)	CCT (K)	Beam angle
140059492	LEDflood-E Re150-10W-3000	Halogen 50W	10	800	80	3000	100 °
140055441	LEDflood-E Re150-10W-4000	Halogen 50W	10	800	80	4000	100 °
140059493	LEDflood-E Re150-20W-3000	Halogen 100W	20	1600	80	3000	100 °
140055442	LEDflood-E Re150-20W-4000	Halogen 100W	20	1600	80	4000	100 °
140060745	LEDflood-E Re150-10W-3000-WH	Halogen 50W	10	800	80	3000	100 °
140060746	LEDflood-E Re150-10W-4000-WH	Halogen 50W	10	800	80	4000	100 °
140060747	LEDflood-E Re150-20W-3000-WH	Halogen 100W	20	1600	80	3000	100 °
140060748	LEDflood-E Re150-20W-4000-WH	Halogen 100W	20	1600	80	4000	100 °

Accessories



140060790
LEDflood-E-Re150-Bracket-BL

140060791
LEDflood-E-Re150-Bracket-WH



140065060
LEDflood-E-Motion-Daylight-Sensor



140060789
LEDflood-E-Re150-Spike-BL

Technical Specifications

On-/Off-cycles	100,000
Colour consistency (SDCM)	4
Dimmable	No
Finishing	White / Black
Colour rendering index CRI	≥ 80
Degree of protection (IP)	IP65
Impact strength	IK08
Protection class	I
Control gear included	Yes
Glow wire test	650 °C
Driver failure rate (at 5,000 hrs)	0.5 %
Weight (pc/kg)	0.54
Power factor	≥ 0.90

Electrical Supply

Frequency	50/60 Hz
Nominal voltage	220-240 V
Voltage type	AC/DC

Mechanical Properties

Material housing	Die-casted Aluminum
Optical material	Aluminum
Cover material	Tempered glass

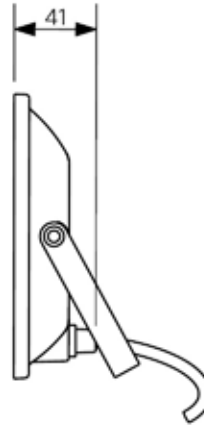
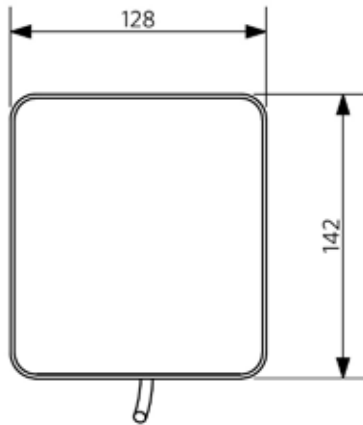
Ambient Conditions

Operating temperature	-25 - 45 °C
Application temperature	25 °C
Storage environment	-30 - 60 °C

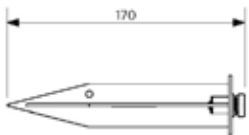


Dimensional Drawing (mm)

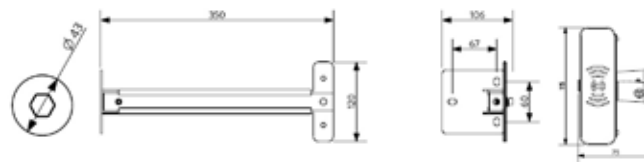
LEDflood-E Re150



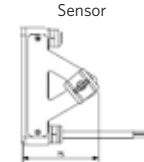
LEDflood-E-Re150-Spike



LEDflood-E-Re150-Bracket

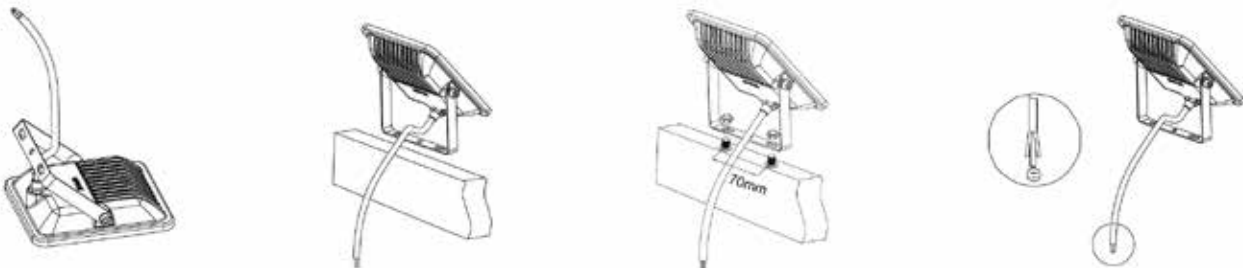


LEDflood-E Sensor



Installation Possibilities

LEDflood-E Re150





LED Floodlight EcoMax 30W/50W/70W

- Slim aluminium body with integrated heatsink and clipless cover
- Robust and water- and dustproof
- High efficacy up to 100 lm/W
- High energy saving compared to halogen and high pressure sodium lamps
- Range from 3,000 to 7,000 lm
- Compatible brackets and ground spikes available
- IP65 daylight and motion sensor accessory available

CRI 80	IP65	IK08	1M
50,000 h L70B50	30,000 h L80B50		

Specifications

Item Code	Item Description	Equivalent to (W)	Power (W)	Lumen	Efficacy (lm/W)	CCT (K)	Beam angle
140054491	LEDflood-E Re250-30W-4000	HID 50W	30	3000	100	4000	110 °
140054492	LEDflood-E Re280-50W-4000	HID 70W	50	5000	100	4000	110 °
140054493	LEDflood-E Re280-70W-4000	HID 150W	70	7000	100	4000	110 °

Accessories



140065060
LEDflood-E-Motion-Daylight-Sensor



140060792
LEDflood-E-Re250-280-Spike-BL



140060793
LEDflood-E-Re250-280-Bracket-BL



Technical Specifications

On-/Off-cycles	100,000
Colour consistency (SDCM)	4
Dimmable	No
Finishing	Black
Colour rendering index CRI	≥ 80
Degree of protection (IP)	IP65
Impact strength	IK08
Protection class	I
Control gear included	Yes
Glow wire test	650 °C
Driver failure rate (at 5,000 hrs)	1 %
Weight (pc/kg)	1.58 / 2.18 / 2.23
Power factor	≥ 0.90

Electrical Supply

Frequency	50/60 Hz
Nominal voltage	220-240 V
Voltage type	AC/DC

Mechanical Properties

Material housing	Die-casted Aluminum
Optical material	Aluminum
Cover material	Tempered glass

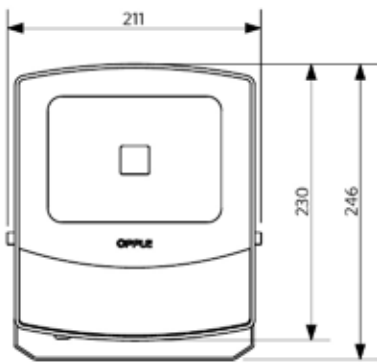
Ambient Conditions

Operating temperature	-25 - 45 °C
Application temperature	25 °C
Storage environment	-30 - 60 °C

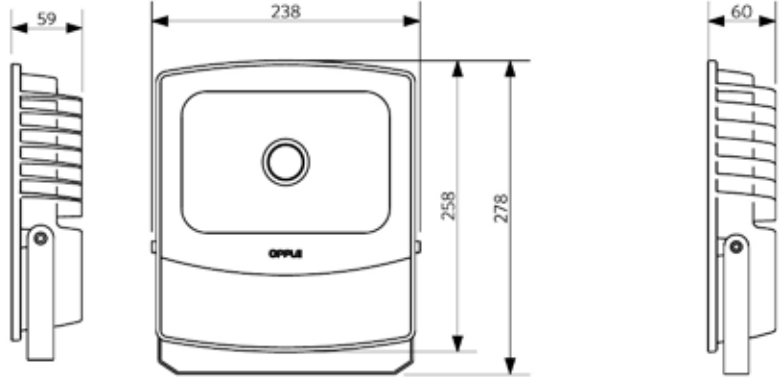


Dimensional Drawing (mm)

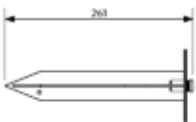
LEDflood-E Re250



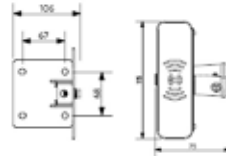
LEDflood-E Re280



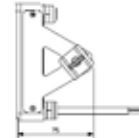
LEDflood-E-Re250-280-Spike



LEDflood-E-Re250-280-Bracket

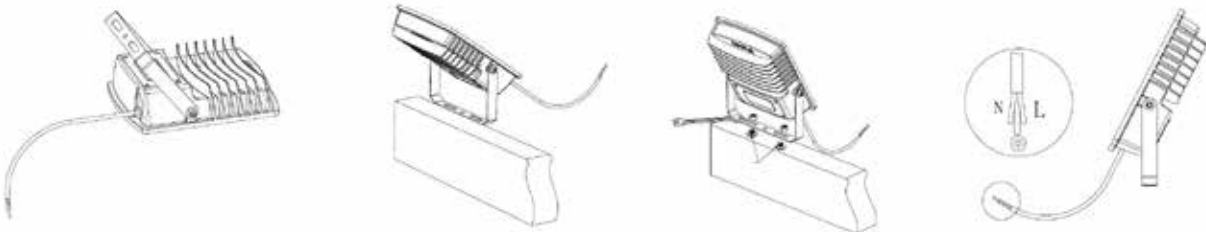


LEDflood-E Sensor



Installation Possibilities

LEDflood-E



Check our website for more detailed product specifications.





LED Floodlight Performer 90W/125W/160W

- Super slim aluminium body with integrated heatsink and clipless cover
- High lumen package up to 20,000 lm
- Very high efficacy of 125 lm/W
- High energy saving up to 65% compared to halogen and high pressure sodium lamps
- Wide (W) and asymmetric (AS) beam angles available
- Robust, water- and dustproof

CRI 80	IP65	IK08	1M
70,000 h L70B50	50,000 h L80B50		

Specifications

Item Code	Item Description	Equivalent to (W)	Power (W)	Lumen	Efficacy (lm/W)	CCT (K)	Beam angle
140062030	LEDflood-P Re440-90W-4000-W-BL	Halogen 750W	90	11250	125	4000	100 °
140062031	LEDflood-P Re440-90W-4000-AS-BL	Halogen 750W	90	11250	125	4000	55 ° x 115 °
140062032	LEDflood-P Re440-125W-4000-W-BL	Halogen 1000W	125	15625	125	4000	100 °
140062033	LEDflood-P Re440-125W-4000-AS-BL	Halogen 1000W	125	15625	125	4000	55 ° x 115 °
140062034	LEDflood-P Re440-160W-4000-W-BL	Halogen 1500W	160	20000	125	4000	100 °
140062035	LEDflood-P Re440-160W-4000-AS-BL	Halogen 1500W	160	20000	125	4000	55 ° x 115 °

Technical Specifications

On-/Off-cycles	100,000
Colour consistency (SDCM)	4
Dimmable	No
Finishing	Black
Colour rendering index CRI	≥ 80
Degree of protection (IP)	IP65
Impact strength	IK08
Protection class	I
Control gear included	Yes
Glow wire test	650 °C
Driver failure rate (at 5,000 hrs)	1 %
Weight (pc/kg)	6.20 / 6.25
Power factor	≥ 0.90

Electrical Supply

Frequency	50/60 Hz
Nominal voltage	220-240 V
Voltage type	AC/DC

Mechanical Properties

Material housing	Die-casted Aluminum
Optical material	Plastic and aluminum
Cover material	Tempered glass

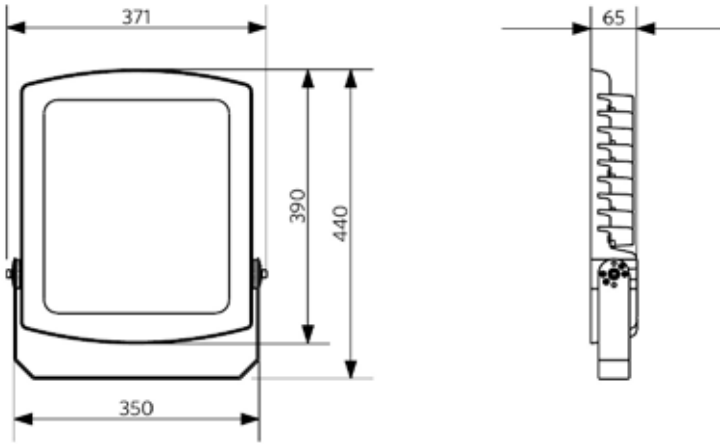
Ambient Conditions

Operating temperature	-25 - 50 °C
Application temperature	25 °C
Storage environment	-30 - 60 °C



Dimensional Drawing (mm)

LEDflood-P Re440



Check our website for more detailed product specifications.





LED Wall-Mounted EcoMax

- Well integrated in architecture and comfortable light distribution
- Over 60% energy savings compared to compact fluorescent
- Efficient and homogenous diffusor
- Option for combined motion/daylight sensor (type "microwave") --> MD version
- Easy connection and installation



Specifications

Item Code	Item Description	Equivalent to (W)	Power (W)	Lumen	Efficacy (lm/W)	CCT (K)
140051998	LEDWall-Mounted Rd300-13W-3000-WH	CFL 2x18W	13	1000	77	3000
140051999	LEDWall-Mounted Rd300-13W-3000-MD-WH	CFL 2x18W	13	1000	77	3000
140051994	LEDWall-Mounted Rd300-13W-4000-WH	CFL 2x18W	13	1100	85	4000
140051995	LEDWall-Mounted Rd300-13W-4000-MD-WH	CFL 2x18W	13	1100	85	4000
140058219	LEDWall-Mounted Rd300-20W-3000-WH	CFL 2x26W	20	1700	85	3000
140058220	LEDWall-Mounted Rd300-20W-3000-MD-WH	CFL 2x26W	20	1700	85	3000
140058215	LEDWall-Mounted Rd300-20W-4000-WH	CFL 2x26W	20	1800	90	4000
140058216	LEDWall-Mounted Rd300-20W-4000-MD-WH	CFL 2x26W	20	1800	90	4000

Emergency lighting available on request (incl. integrated 1hr battery pack)

Technical Specifications	
On-/Off-cycles	100,000
Colour consistency (SDCM)	4
Dimmable	No
Finishing	White RAL9003
Colour rendering index CRI	≥ 80
Degree of protection (IP)	IP66
Impact strength	IK10
Protection class	II
Control gear included	Yes
Glow wire test	650 °C
Driver failure rate (at 5,000 hrs)	0.5 %
Weight (pc/kg)	0.96 / 1.02 / 1.04 / 1.10
Power factor	≥ 0.90

Electrical Supply	
Frequency	50/60 Hz
Nominal voltage	220-240 V
Voltage type	AC/DC

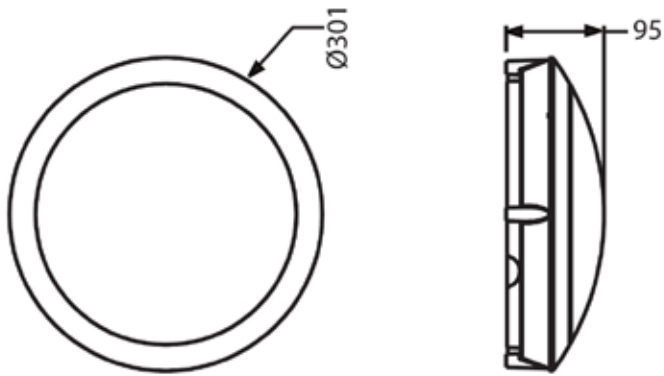
Mechanical Properties	
Material housing	Polycarbonate
Optical material	Polycarbonate

Ambient Conditions	
Operating temperature	-25 - 50 °C
Application temperature	25 °C
Storage environment	-25 - 50 °C



Dimensional Drawing (mm)

LEDWall-Mounted Rd300





LED Porchlight EcoMax

- Master Porchlight with integrated motion detection and daylight sensing
- Automatic dimming to 20% light level in case of no movement detection
- One Master Porchlight can control up to 10 Porchlight fixtures
- Suitable for use in demanding environments
- Energy saving up to 50% compared to compact fluorescent based fixtures
- Further energy saving by the automatic dimming feature



Specifications

Item Code	Item Description	Equivalent to (W)	Power (W)	Lumen	Efficacy (lm/W)	CCT (K)
140064477	LEDPorch-E Re120-5W-3000K-WH	TL 8W	5	450	90	3000
140064478	LEDPorch-E Re120-5W-4000K-WH	TL 8W	5	500	100	4000
140064479	LEDPorch-E Re120-6W-3000K-MD-WH	TL 8W	6	480	80	3000
140064480	LEDPorch-E Re120-6W-4000K-MD-WH	TL 8W	6	510	85	4000
140064481	LEDPorch-E Re120-8W-3000K-WH	CFL 11W	8	720	90	3000
140064482	LEDPorch-E Re120-8W-4000K-WH	CFL 11W	8	800	100	4000
140064483	LEDPorch-E Re120-9W-3000K-MD-WH	CFL 11W	9	765	85	3000
140064484	LEDPorch-E Re120-9W-4000K-MD-WH	CFL 11W	9	810	90	4000

Emergency lighting available on request

Technical Specifications

On-/Off-cycles	100,000
Colour consistency (SDCM)	6
Dimmable	Yes
Finishing	White
Colour rendering index CRI	≥ 80
Degree of protection (IP)	IP65
Impact strength	IK10
Protection class	II
Control gear included	Yes
Glow wire test	650 °C
Driver failure rate (at 5,000 hrs)	0.5 %
Weight (pc/kg)	0.83 / 0.87
Power factor	≥ 0.90

Electrical Supply

Frequency	50/60 Hz
Nominal voltage	220-240 V
Voltage type	AC/DC

Mechanical Properties

Material housing	Plastic
Optical material	Polycarbonate

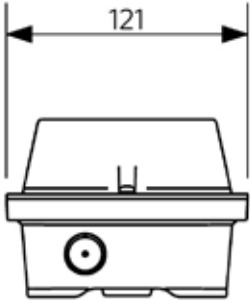
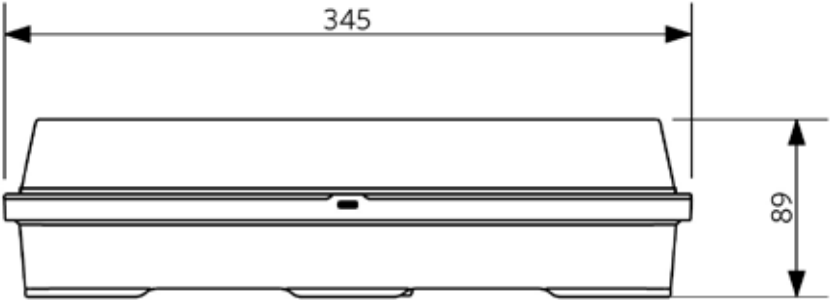
Ambient Conditions

Operating temperature	-30 - 50 °C
Application temperature	25 °C
Storage environment	-30 - 60 °C



Dimensional Drawing (mm)

LEDPorch-E Re120





LED Filament A60

- Classic light bulb shape ensures an easy replacement
- Instant 100% light when switched on and no startup time
- Creating cosy atmosphere
- No UV / IR radiance so there is less risk of damage
- Flicker-free
- 4000K available for Frosted A60 lamps
- Up to 86% less energy than traditional bulbs



Specifications

Item Code	Item Description	Voltage (V)	Equivalent to (W)	Power (W)	Lumen	Efficacy (lm/W)	CCT (K)	Weight (kg/pc)	Energy Level
140051145	LED-E-A60-FILA-E27-4W-2700K-CL-BL	220-240	GLS 40W	4	470	118	2700	0.03	A++
140051146	LED-E-A60-FILA-E27-6W-2700K-CL-BL	220-240	GLS 60W	6	806	134	2700	0.04	A++
140056429	LED-E-A60-FILA-E27-4,5W-DIM-2700K-CL-BL	220-240	GLS 40W	4.5	470	104	2700	0.03	A++
140056430	LED-E-A60-FILA-E27-7W-DIM-2700K-CL-BL	220-240	GLS 60W	7	806	115	2700	0.03	A++
140063133	LED-E-A60-FILA-E27-4,5W-DIM-2700K-FR-BL	220-240	GLS 40W	4.5	470	104	2700	0.03	A++
140063139	LED-E-A60-FILA-E27-4,5W-DIM-4000K-FR-BL	220-240	GLS 40W	4.5	470	104	4000	0.03	A++
140063134	LED-E-A60-FILA-E27-7W-DIM-2700K-FR-BL	220-240	GLS 60W	7	806	115	2700	0.03	A+
140063140	LED-E-A60-FILA-E27-7W-DIM-4000K-FR-BL	220-240	GLS 60W	7	806	115	4000	0.03	A++

Technical Specifications

On-/Off-cycles	50,000
Dimmable	No / Yes (DIM)
Beam angle	360 °
Finishing	Transparent
Colour rendering index CRI	≥ 80

Electrical Supply

Frequency	50/60 Hz
Voltage type	AC

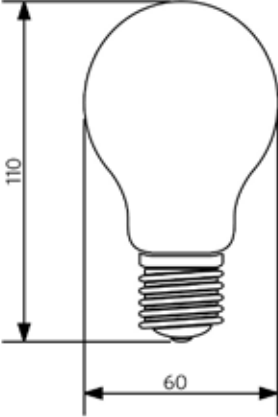
Ambient Conditions

Operating temperature	-20 - 40 °C
Application temperature	25 °C
Storage environment	-25 - 50 °C



Dimensional Drawing (mm)

LED-E-A60-FILA



Check our website for more detailed product specifications.





LED Filament A45, B35, P45, ST64

- Classic light bulb shape ensures an easy replacement
- Instant 100% light when switched on and no startup time
- Creating cosy atmosphere
- No UV / IR radiance so there is less risk of damage
- Flicker-free
- Up to 86% less energy than traditional bulbs
- ST64 in 2.200K + 2.700K



Specifications

Item Code	Item Description	Voltage (V)	Equivalent to (W)	Power (W)	Lumen	Efficacy (lm/W)	CCT (K)	Weight (kg/pc)	Energy Level
140051147	LED-E-B35-FILA-E14-2W-2700K-CL-BL	220-240	GLS 25W	2	249	125	2700	0.01	A++
140051148	LED-E-B35-FILA-E14-4W-2700K-CL-BL	220-240	GLS 40W	4	470	118	2700	0.02	A++
140051151	LED-E-P45-FILA-E14-2W-2700K-CL-BL	220-240	GLS 25W	2	249	125	2700	0.01	A++
140051152	LED-E-P45-FILA-E14-4W-2700K-CL-BL	220-240	GLS 40W	4	470	118	2700	0.02	A++
140059809	LED-E-A45-FILA-E27-2W-2700K-CL-BL	220-240	GLS 25W	2	250	125	2700	0.01	A++
140059810	LED-E-A45-FILA-E27-4.5W-DIM-2700K-CL-BL	220-240	GLS 40W	4.5	470	104	2700	0.02	A++
140057924	LED-E-ST64-FILA-E27-4.5W-DIM-2700K-CL-BL	220-240	GLS 40W	4.5	470	104	2700	0.09	A++
140057925	LED-E-ST64-FILA-E27-7W-DIM-2700K-CL-BL	220-240	GLS 60W	7	806	115	2700	0.09	A++
140057926	LED-E-ST64-FILA-E27-4.5W-DIM-2200K-CL-BL	220-240	GLS 40W	4.5	400	89	2200	0.09	A+
140057927	LED-E-ST64-FILA-E27-7W-DIM-2200K-CL-BL	220-240	GLS 60W	7	700	100	2200	0.09	A+

Technical Specifications

On-/Off-cycles	50,000
Dimmable	No / Yes (DIM)
Beam angle	360 °
Finishing	Transparent
Colour rendering index CRI	≥ 80

Electrical Supply

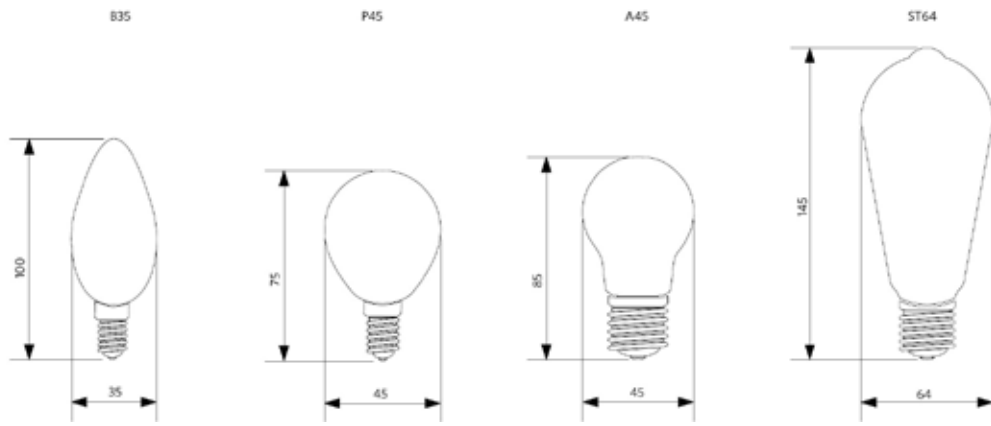
Frequency	50/60 Hz
Voltage type	AC

Ambient Conditions

Operating temperature	-20 - 40 °C
Application temperature	25 °C
Storage environment	-25 - 50 °C



Dimensional Drawing (mm)





LED Candle EcoMax B38

- Easy retrofit on current E14 fitting
- Up to 82% lower energy consumption
- Lower maintenance cost, lasting 15 times longer than incandescent bulbs



Specifications

Item Code	Item Description	Voltage (V)	Equivalent to (W)	Power (W)	Lumen	Efficacy (lm/W)	CCT (K)	Weight (kg/pc)	Energy Level
140048587	LED-E-B38-E14-4W-Dim-2700K-FR-CT	220-240	GLS 25W	4	250	71	2700	0.04	A+
140048588	LED-E-B38-E14-6W-Dim-2700K-FR-CT	220-240	GLS 50W	6	420	70	2700	0.07	A+

Technical Specifications

On-/Off-cycles	50,000
Dimmable	Yes
Beam angle	200 °
Finishing	White
Colour rendering index CRI	≥ 80

Electrical Supply

Frequency	50/60 Hz
Voltage type	AC

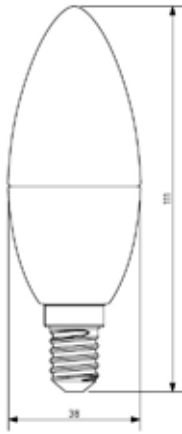
Ambient Conditions

Operating temperature	-20 - 40 °C
Application temperature	25 °C
Storage environment	-25 - 50 °C



Dimensional Drawing (mm)

LED-E-B38-E14



Check our website for more detailed product specifications.





LED Mini Globe EcoMax P45

- Easy fit into small-size downlight and various decorative luminaires
- No warm-up time, 100% light instantly when switched on
- Up to 84% lower energy consumption than traditional bulbs
- Long lifespan reduces maintenance cost

15,000 h
L70B50

Specifications

Item Code	Item Description	Voltage (V)	Equivalent to (W)	Power (W)	Lumen	Efficacy (lm/W)	CCT (K)	Weight (kg/pc)	Energy Level
140044686	LED E P45 E27 4W 2700K FR CT	220-240	GLS 25W	4	250	62.5	2700	0.04	A+
140044688	LED E P45 E14 4W 2700K FR CT	220-240	GLS 25W	4	250	62.5	2700	0.04	A+

Technical Specifications

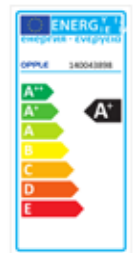
On-/Off-cycles	50,000
Dimmable	No
Beam angle	200 °
Finishing	White
Colour rendering index CRI	≥ 80

Electrical Supply

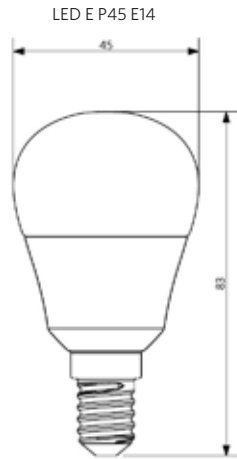
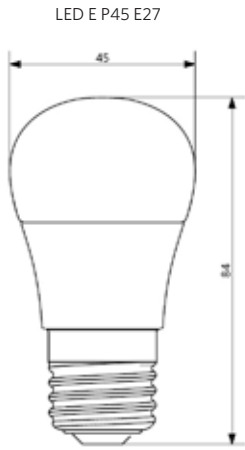
Frequency	50/60 Hz
Voltage type	AC

Ambient Conditions

Operating temperature	-20 - 40 °C
Application temperature	25 °C
Storage environment	-25 - 50 °C



Dimensional Drawing (mm)





LED Mini Globe EcoMax G50

- Easy fit into small-size downlight and various decorative luminaires
- No warm-up time, 100% light instantly when switched on
- Up to 84% lower energy consumption than traditional bulbs
- Long lifespan reduces maintenance cost



Specifications

Item Code	Item Description	Voltage (V)	Equivalent to (W)	Power (W)	Lumen	Efficacy (lm/W)	CCT (K)	Weight (kg/pc)	Energy Level
140048593	LED-E-G50-E27-4W-Dim-2700K-FR-CT	220-240	GLS 25W	4	250	71	2700	0.04	A+
140048594	LED-E-G50-E14-4W-Dim-2700K-FR-CT	220-240	GLS 25W	4	250	71	2700	0.04	A+
140048595	LED-E-G50-E27-6W-Dim-2700K-FR-CT	220-240	GLS 50W	6	420	70	2700	0.06	A+
140048596	LED-E-G50-E14-6W-Dim-2700K-FR-CT	220-240	GLS 50W	6	420	70	2700	0.06	A+

Technical Specifications

On-/Off-cycles	50,000
Dimmable	Yes
Beam angle	200 °
Finishing	White
Colour rendering index CRI	≥ 80

Electrical Supply

Frequency	50/60 Hz
Voltage type	AC

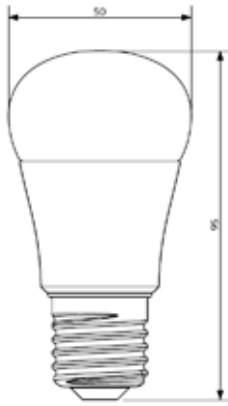
Ambient Conditions

Operating temperature	-20 - 40 °C
Application temperature	25 °C
Storage environment	-25 - 50 °C

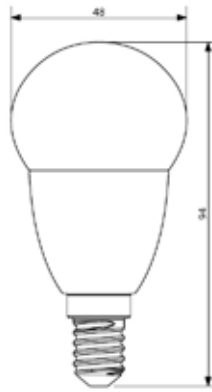


Dimensional Drawing (mm)

LED-E-G50-E27



LED-E-G50-E14





LED Reflector EcoMax GU10

- Full retrofit of existing halogen GU10 lamps
- Dimmable versions available up to 575lm
- Available in 3000K and 4000K
- Light silver coloured
- No UV/IR radiation
- Significantly less heat production than halogen, avoiding discolouration and risk of damaging goods
- Up to 87% lower energy consumption than halogen



Specifications

Item Code	Item Description	Voltage (V)	Equivalent to (W)	Power (W)	Lumen	Efficacy (lm/W)	CCT (K)	Weight (kg/pc)	Energy Level
140060948	LED-E-GU10-3,5W-3000K-36D-DIM	220-240	Halogen 35W	3.5	245	70	3000	0.03	A+
140060952	LED-E-GU10-3,5W-4000K-36D-DIM	220-240	Halogen 35W	3.5	260	74	4000	0.03	A+
140060949	LED-E-GU10-5,2W-3000K-36D-DIM	220-240	Halogen 50W	5.2	350	67	3000	0.04	A+
140060953	LED-E-GU10-5,2W-4000K-36D-DIM	220-240	Halogen 50W	5.2	360	69	4000	0.04	A+
140060951	LED-E-GU10-7,5W-3000K-36D-DIM	220-240	Halogen 75W	7.5	565	75	3000	0.06	A+
140060955	LED-E-GU10-7,5W-4000K-36D-DIM	220-240	Halogen 75W	7.5	575	77	4000	0.06	A+

Technical Specifications

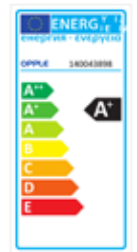
On-/Off-cycles	50,000
Dimmable	Yes
Beam angle	36 °
Finishing	Silver
Colour rendering index CRI	≥ 80

Electrical Supply

Frequency	50/60 Hz
Voltage type	AC

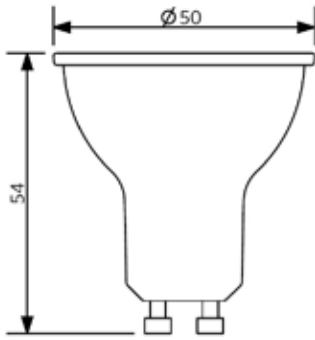
Ambient Conditions

Operating temperature	-20 - 40 °C
Application temperature	25 °C
Storage environment	-25 - 50 °C

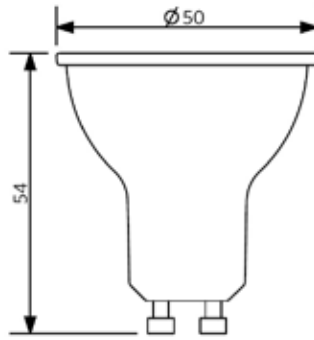


Dimensional Drawing (mm)

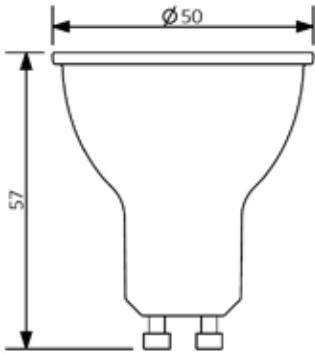
LED-E-GU10-3,5W



LED-E-GU10-5,2W



LED-E-GU10-7,5W





Universal T8 LED Tube

- One fit all, compatible with all electronic & magnetic ballasts
- True plug & play LED tube solution
- Safety end cap to ensure complete safe installation
- Shortest cap
- Unique patented 'oneTLED' technology
- High efficacy up to 125 lm/W
- Energy saving up to 65%

50,000 h
L70B50

For EM installations ALWAYS replace the starter with the starter which is delivered with the Universal LED T8 tube
Tubes are NOT suitable for serial installation

Specifications

Item Code	Item Description	Voltage (V)	Equivalent to (W)	Power (W)	Lumen	Efficacy (lm/W)	CCT (K)	Weight (kg/pc)	Energy Level
140056692	LED P T8 Uni 1200 16.5W 100pct 3000K CT	220-240	TL 1x36W	16.5	2000	125	3000	0.38	A+
140056693	LED P T8 Uni 1200 16.5W 100pct 4000K CT	220-240	TL 1x36W	16.5	2000	125	4000	0.38	A+
140056694	LED P T8 Uni 1200 16.5W 100pct 6500K CT	220-240	TL 1x36W	16.5	2000	125	6500	0.38	A+
140056695	LED P T8 Uni 1500 24.5W 100pct 3000K CT	220-240	TL 1x58W	24.5	3000	122	3000	0.48	A+
140056696	LED P T8 Uni 1500 24.5W 100pct 4000K CT	220-240	TL 1x58W	24.5	3000	122	4000	0.48	A+
140056697	LED P T8 Uni 1500 24.5W 100pct 6500K CT	220-240	TL 1x58W	24.5	3000	122	6500	0.48	A+

Use on dimmable ballast might effect lifetime of the lamp and/or ballast
The light output can differ depending on the luminaire and/or driver used

Technical Specifications

On-/Off-cycles	100,000
Dimmable	No
Beam angle	160 °
Finishing	White
Colour rendering index CRI	≥ 80
Fitting	G13

Electrical Supply

Frequency	50/60 Hz
Voltage type	AC

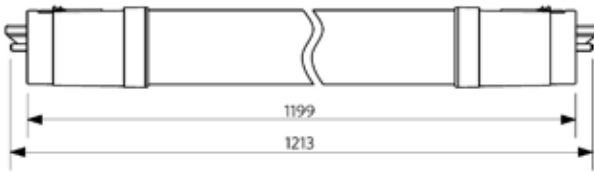
Ambient Conditions

Operating temperature	-20 - 40 °C
Application temperature	25 °C
Storage environment	-25 - 50 °C

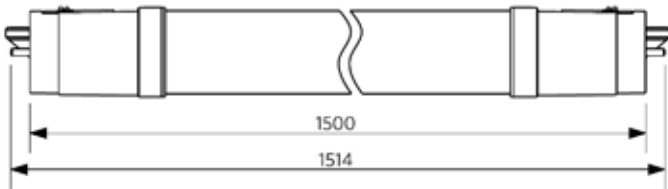


Dimensional Drawing (mm)

LED P T8 Uni 1200



LED P T8 Uni 1500





LED T8 Tube

- Single-ended full IEC compliant with patented driver
- Retrofit existing T8 lamps with EM ballast installations ONLY!
- No warm-up time, 100% light instantly when switched on
- Full glass
- High efficacy up to 134 lm/W
- Up to 62% lower energy consumption than fluorescent

50,000 h
L70B50

SAFE AND EASY INSTALLATION: ONLY USE WITH LED DUMMY STARTER
Tubes are NOT suitable for serial installation

Specifications

Item Code	Item Description	Voltage (V)	Equivalent to (W)	Power (W)	Lumen	Efficacy (lm/W)	CCT (K)	Weight (kg/pc)	Energy Level
140051060	LED P T8 glass 600 9W 100pct 3000K CT	220-240	TL 1x18W	9	1000	110	3000	0.12	A+
140051061	LED P T8 glass 600 9W 100pct 4000K CT	220-240	TL 1x18W	9	1000	110	4000	0.12	A+
140052026	LED P T8 glass 600 9W 100pct 6500K CT	220-240	TL 1x18W	9	1000	110	6500	0.12	A+
140062613	LED P T8 glass 1200 16W 100pct 3000K CT	220-240	TL 1x36W	16	2100	131	3000	0.21	A++
140062614	LED P T8 glass 1200 16W 100pct 4000K CT	220-240	TL 1x36W	16	2100	131	4000	0.21	A++
140062615	LED P T8 glass 1200 16W 100pct 6500K CT	220-240	TL 1x36W	16	2100	131	6500	0.21	A++
140062616	LED P T8 glass 1500 23W 100pct 3000K CT	220-240	TL 1x58W	23	3100	134	3000	0.26	A++
140062617	LED P T8 glass 1500 23W 100pct 4000K CT	220-240	TL 1x58W	23	3100	134	4000	0.26	A++
140062618	LED P T8 glass 1500 23W 100pct 6500K CT	220-240	TL 1x58W	23	3100	134	6500	0.26	A++

Single-ended connection



Technical Specifications

On-/Off-cycles	100,000
Dimmable	No
Beam angle	220 °
Finishing	White
Colour rendering index CRI	≥ 80
Fitting	G13

Electrical Supply

Frequency	50/60 Hz
Voltage type	AC

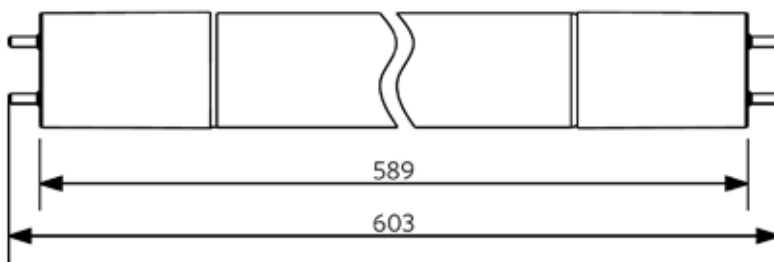
Ambient Conditions

Operating temperature	-20 - 45 °C
Application temperature	25 °C
Storage environment	-25 - 50 °C

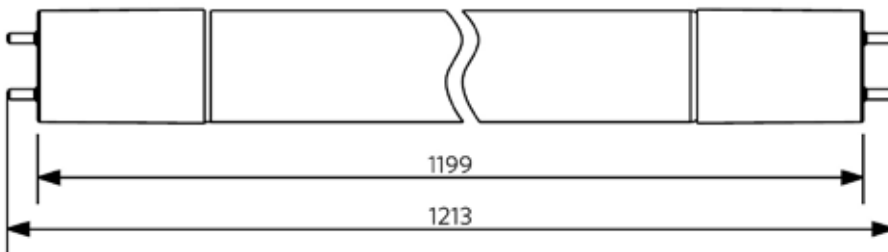


Dimensional Drawing (mm)

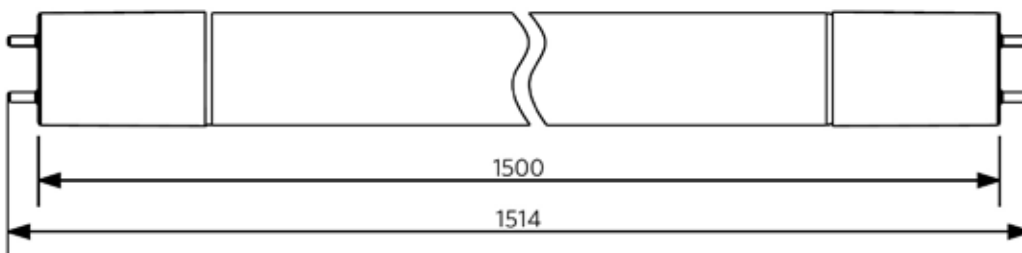
LED P T8 glass 600



LED P T8 glass 1200



LED P T8 glass 1500



TUBES





LED High Power Bulb

- High lumen output allows it to easily replace up to 250W HID
- To be used in existing luminaires with E40 sockets, of which the ballast needs to be removed
- Connects directly to 220-240V
- High lumen packages with high efficacy: up to 13,000 lm and 113 lm/W
- Enables both surface and hook mounting
- Up to 55% energy savings compared to traditional HID lamps
- 2,5 times longer lifetime compared to traditional HID lamps



Specifications

Item Code	Item Description	Equivalent to (W)	Power (W)	Lumen	Efficacy (lm/W)	CCT (K)
140062576	LED P HPB E40 90W 4000K 140D CT	HID 250W	90	8000	89	4000
140062577	LED P HPB E40 115W 4000K 140D CT	HID 400W	115	13000	113	4000

Accessories



140062578
HPB Accessory Hook Mounted E40



140062579
HPB Accessory Surface Mounted E40

Technical Specifications

On-/Off-cycles	50,000
Colour consistency (SDCM)	6
Dimmable	No
Beam angle	140 °
Finishing	Grey
Colour rendering index CRI	≥ 80
Protection class	II
Control gear included	Yes
Glow wire test	650 °C
Driver failure rate (at 5,000 hrs)	1 %
Weight (pc/kg)	1.38 / 1.86
Power factor	≥ 0.90

Electrical Supply

Frequency	50/60 Hz
Nominal voltage	220-240 V
Voltage type	AC

Mechanical Properties

Material housing	Aluminum
Optical material	Polycarbonate

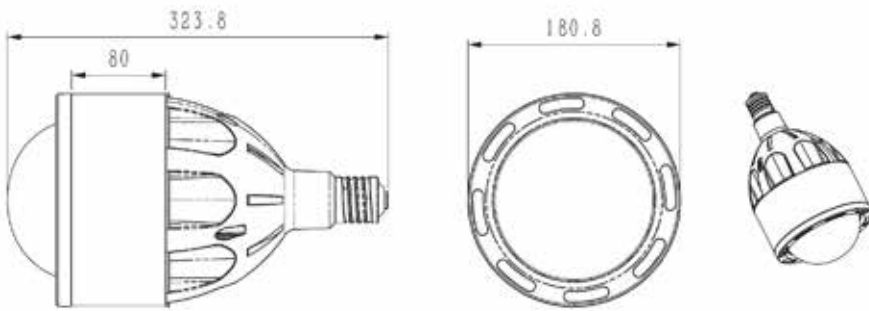
Ambient Conditions

Operating temperature	-20 - 35 °C
Storage environment	-25 - 50 °C

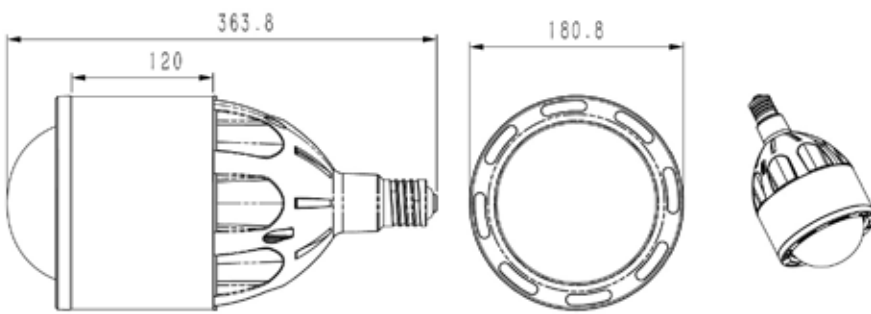


Dimensional Drawing (mm)

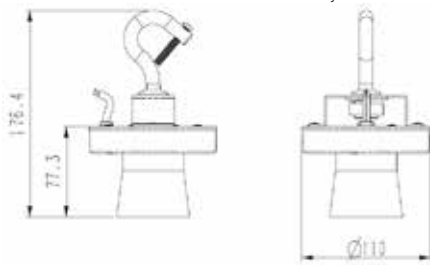
LED P HPB E40 90W



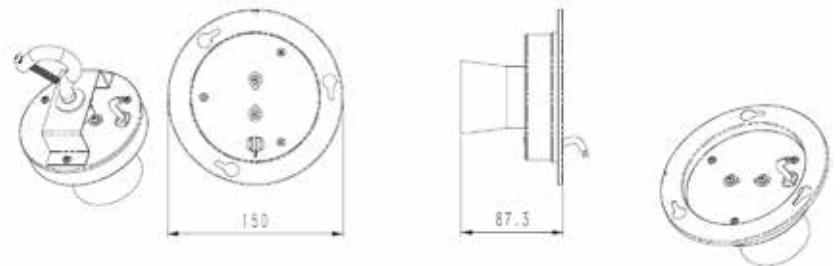
LED P HPB E40 115W



HPB Accessory Hook Mounted



HPB Accessory Surface Mounted





LED Module Clío G2



- Fits well in slim ceiling luminaires up to 550mm in diameter
- Easy and flexible installation
- Shadow free, homogene light diffusion and 100% light instant on
- High efficacy up to 3000 lm and 100 lm/W
- Integrated driver, connect directly to 220-240V
- Including magnets and connection box
- Movement detection accessory available for 12W & 16W

Specifications

Item Code	Item Description	Equivalent to (W)	Power (W)	Lumen	Efficacy (lm/W)	CCT (K)	Energy Level
140066573	LED E C module 12W 2700K Clío CT	GLS 75W	12	1000	82	2700	A+
140066574	LED E C module 12W 4000K Clío CT	GLS 75W	12	1100	91	4000	A+
140066575	LED E C module 16W 2700K Clío CT II	GLS 100W	16	1400	87	2700	A+
140066576	LED E C module 16W 4000K Clío CT II	GLS 100W	16	1600	100	4000	A+
140066204	LED E C module 22W DIM 2700K Clío CT	CFL TC-DD/PL-Q 28W	22	1800	83	2700	A+
140066205	LED E C module 22W DIM 4000K Clío CT	CFL TC-DD/PL-Q 28W	22	2000	91	4000	A+
140066206	LED E C module 36W DIM 2700K Clío CT	CFL TC-DD/PL-Q 38W	36	2800	78	2700	A
140066207	LED E C module 36W DIM 4000K Clío CT	CFL TC-DD/PL-Q 38W	36	3000	83	4000	A+

Accessories



140060553
LED Module sensor CT

Sensor only for 12W and 16W.
Sensor range 12m.

Technical Specifications

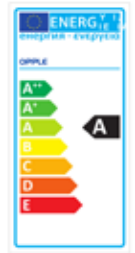
On-/Off-cycles	100,000
Dimmable	No / Yes (22W/36W)
Beam angle	150 °
Colour rendering index CRI	≥ 80
Degree of protection (IP)	IP20
Protection class	II
Control gear included	Yes

Electrical Supply

Frequency	50/60 Hz
Nominal voltage	220-240 V
Voltage type	AC

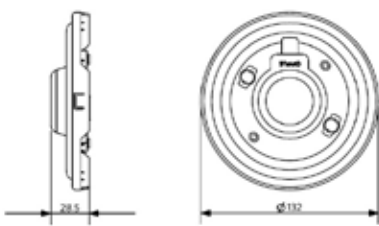
Ambient Conditions

Operating temperature	-20 - 40 °C
Application temperature	25 °C
Storage environment temperature	-25 - 50 °C

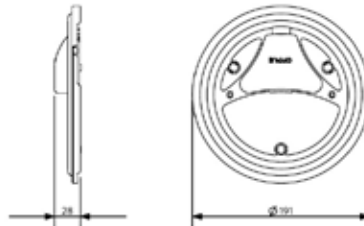


Dimensional Drawing (mm)

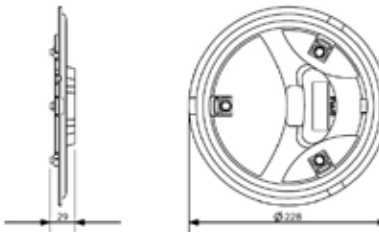
LED E C module 12W



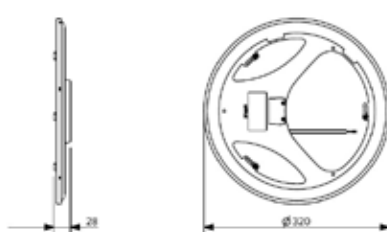
LED E C module 16W



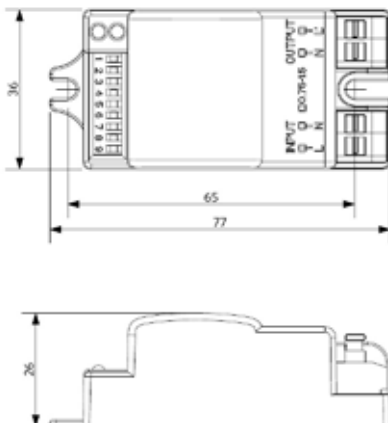
LED E C module 22W



LED E C module 36W



LED Module sensor CT



Check our website for more detailed product specifications.





LED Light Master G2

- Simple solution for measurement of light level (lux) and color temperature (K)
- Compatible with iOS and Android
- Rechargeable with micro USB



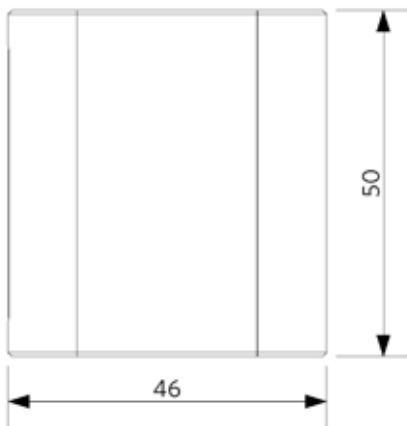
Specifications

Item Code	Item Description
599000001600	Light-master-II

Technical Specifications	
Rechargeable	Yes - micro USB
Lux range	0-10000 lx
Color temperature range	2000-25000 K
Accuracy	~ 5% deviation
Operating temperature	-10 - 40 °C



Dimensional Drawing (mm)



Check our website for more detailed product specifications.







Notes

Lined area for notes with horizontal blue lines.

Dimming compatibility Level

OPPLE portfolio




	Compatible	No flicker, no noise
	Semi-compatible	No flicker, possible noise
	Incompatible	Possible flicker, possible noise
	Untested	

Dimmer brand	Model	Type	Max. load	Mini globe		Candle		GU10			LED Module Clio GEN2	
				4W G50 250lm	6W G50 420lm	4W Candle 250lm	6W Candle 420lm	3.2W	5.2W	7.5W	22W	36W
												
Berker	283010	R	400W		2 - 9		2 - 9	1 - 10	1 - 3	1 - 10	1 - 2	1 - 1
Berker	286610	RL	500W					1 - 10	1 - 3		1 - 4	1 - 3
Berker	2819	R	400W					1 - 7	1 - 4		1 - 1	1 - 1
Busch-Jaeger	2247U	RL	500W	1 - 16	1 - 11	1 - 16	1 - 11	1 - 10	1 - 3	1 - 10	1 - 4	1 - 3
Busch-Jaeger	2250U	R	600W		1 - 12		1 - 12	1 - 10	1 - 5	1 - 10	1 - 5	1 - 3
Busch-Jaeger	6513 U-102	RC	40-420W	2 - 13	1 - 9	2 - 13	1 - 9	2 - 10	1 - 10	1 - 10	1 - 6	1 - 4
Busch-Jaeger	6523U	R,L	100W					1 - 10	1 - 5	1 - 10	1 - 1	1 - 2
Busch-Jaeger	6523 U-102	R,L	100W					1 - 10	1 - 10	1 - 10	1 - 1	1 - 1
Druck	8095	RL	400W					1 - 10	1 - 10	1 - 10	1 - 2	1 - 2
Gira	1176 00/104	R,L,C	420W					1 - 10	1 - 10	1 - 10	1 - 2	1 - 2
Gira	2262 00/101	R,L	500W					1 - 10	1 - 10	1 - 10	1 - 5	1 - 3
Gira	030200	R	600W		1 - 12		1 - 12	1 - 10	1 - 3	1 - 10	1 - 5	1 - 3
Gira	030700	R,C	525W		1 - 11		1 - 11	1 - 10	1 - 10	1 - 10	1 - 5	1 - 4
Jung	266 GDE	R	60-600W					1 - 10	1 - 7	1 - 10	1 - 4	1 - 3
Jung	225	RL	100W					1 - 10	1 - 5	1 - 10		
Jung	1271	R	100W	1 - 12	1 - 8	1 - 12	1 - 8					
Niko	310-01901	R,L,C, CFLi	325W	1 - 10		1 - 10					1 - 4	1 - 3
Sencys	8033	RL	400W									
Wintop	13212	L	300W		3 - 6		3 - 6				1 - 2	1 - 1
Wintop	13512	RC	500W	3 - 15	1 - 10	3 - 15	1 - 10	1 - 10	1 - 10	1 - 10	1 - 7	1 - 4

Please note:

For example, a Berker 286610 dimmer can control a minimum of 1 and a maximum of 10 Opple GU10 3.2W lamps

Dimmer brand	Model	Type	Max. load	Filament						T5 batten DIM	
				A60 470lm	A60 806lm	ST64 470lm	ST64 806lm	ST64 400lm	ST64 700lm	9W	18W
											
Berker	286610	RL	500W	1-10	1-10	1-10	1-10	1-10	1-10	1-6	1-3
Berker	2819	R	400W	1-10	1-10	1-10	1-10	1-10	1-10	1-3	1-3
Berker	283010	R	400W	1-10	1-10	1-10	1-10	1-10	1-10	1-3	1-3
Busch-Jaeger	2247U	RL	500W	1-10	1-10	1-10	1-10	1-10	1-10	1-6	1-6
Busch-Jaeger	2250U	R	600W	1-10	1-10	1-10	1-10	1-10	1-10	1-6	1-5
Busch-Jaeger	6513 U-102	RC	420W		1-10		1-10		1-10	1-9	1-5
Busch-Jaeger	6523U	R,L	100W							1-1	1-1
Busch-Jaeger	6523 U-102	R,C	250W							1-1	1-1
Busch-Jaeger	6524U	R,L,C	100W	1-10	1-9	1-10	1-9	1-10	1-9		
Druck	8095	RL	400W							1-3	1-3
GIRA	1176 00/104	R,L,C	420W	1-10	1-9	1-10	1-9	1-10	1-9	1-18	1-12
GIRA	2262 00/101	R,L	500W							1-6	1-6
GIRA	030200	R	600W	1-10	1-10	1-10	1-10	1-10	1-10	1-6	1-6
GIRA	030700	R,C	525W	1-10	1-10	1-10	1-10	1-10	1-10	1-23	1-16
JUNG	266 GDE	R	60-600W	1-10	1-10	1-10	1-10	1-10	1-10	1-6	1-6
JUNG	225	RL	100W	1-10	1-10	1-10	1-10	1-10	1-10	1-6	1-6
JUNG	1271	R	100W								
NIKO	310-01901	R,L,C,CFLi	325W	1-10	1-10	1-10	1-10	1-10	1-10	1-13	1-9
Sencys	8033	RL	400W								
Wintop	13212	L	300W	1-10	1-10	1-10	1-10	1-10	1-10	1-2	1-2
Wintop	13512	RC	500W	1-10	1-10	1-10	1-10	1-10	1-10	1-22	1-16

Dimmer brand	Type	Max. load	Spot RA HQ Dim		Downlight HZ Dim				Spot Ava	
			7W	8W	7W	10W	13W	16W	7W	9W
										
ABB	2250 AJ-513	60 - 600W	2-12		1-6	1-10	6-7	1-6	2-6	2-6
Berker	286610	500W	1-12	1-12	6-8	1-10	4-7	1-6	2-6	1-4
Berker	2819	400W	1-12		1-12	1-10	2-7	2-7	1-4	1-6
Busch-Jaeger	6523U	2 ... 100W	1-12				1-7	1-6	1-4	1-8
Busch-Jaeger	6513 U-102	40 - 420W	1-12	1-10	5-10	1-10	1-7	1-6		1-8
Busch-Jaeger	2247U	20 - 500W	1-12		1-4	1-10		1-6	1-6	1-6
Busch-Jaeger	6524U	LED 2 - 100W	3-12				2-5	2-5		
Busch-Jaeger	2250U	600W	2-12		1-6	1-10	6-7	1-6	2-6	2-6
EFAPEL	21215	3 - 50W		1-6	1-6	1-5	1-3	1-3	1-7	1-5
EFAPEL	21214	3 - 35W		1-4	1-4	1-3	1-2	1-2	1-5	1-4
EFAPEL	21216	3 - 85W		1-10		1-8	1-6	1-5	1-12	1-9
Eltako	EUD61NPN-UC	400W	1-12		1-12	1-10	6-7	1-6		
GIRA	UNIV 420WV	50 - 420 VA	1-12	1-10						
GIRA	HAL/LED 500VA	20 - 500 VA	1-12	1-12	4-6	1-10		1-6	1-17	1-6
GIRA	0302 00	60-600W		1-15					1-15	1-13
GIRA	0307 00	20-525W		1-13	1-14	1-10		1-6	1-6	1-11
JUNG	225 NV DE	LED 3 - 100W	1-12	1-12	1-6	1-10		1-6	1-15	1-6
JUNG	266 G DE	500W	1-3	1-15	1-2	1-10	4-7	1-6	1-6	1-4
Klemko	891040	315W	1-7		1-4	1-6	1-5	1-4	1-6	1-6
Merten	MEG5134-0000	400W	1-12	1-10	1-12	1-10	1-7	1-5	1-8	1-8
NIKO	310-01901	LED 5 - 200W	1-12	1-8	1-12	1-10	1-7	1-6		
PEHA	435 HAB	400W	1-12		1-12	1-10	1-7	1-6	1-8	1-2
PEHA	431HAN LED	LED 120W	1-12	1-7	1-6	1-10	1-2	1-8	1-6	1-6
TRUMP	DIMMAX 420SL	400W	1-12		1-12	1-10	1-7	1-6		

Connection specifications

Tables below present the maximum number of luminaires that can be connected on one B16/C16 automate.

Category	Series	Types	DC Input Voltage	Max. units per B16	Max. units per C16
LED Panel	Grille	11W / 21W / 36W	190-210 V DC	37	62
LED Panel	Grille	13W DALI / 21W DALI	186-250 V DC	30	51
LED Panel	Grille	36W DALI Sq595	186-250 V DC	37	62
LED Panel	Grille	36W DALI Re298	186-250 V DC	24	40
LED Panel	Slim Performer	30W / 30W DALI	200 - 300 V DC	25	42
LED Panel	Slim Performer	30W BLE	n / a	25	42
LED Panel	Slim EcoMax	34W	n / a	11	19
LED Panel Suspended	Zenith	75W DALI	190 - 210 V DC	18	30
LED Panel	Slim Basic	36W	150 - 300 V DC	47	80
LED Downlight	Performer HG/ MW	11.5W / 11.5W DALI	200 - 300 V DC	55	92
LED Downlight	Performer HG/ MW	15W / 15W DALI	200 - 300 V DC	55	92
LED Downlight	Performer HG/ MW	23W / 23W DALI	200 - 300 V DC	26	43
LED Downlight	Performer HG/ MW	33W / 33W DALI	200 - 300 V DC	26	43
LED Downlight	HZdim	7W	200 - 300 V DC	181	307
LED Downlight	HZdim	10W	200 - 300 V DC	126	214
LED Downlight	HZdim	13W	200 - 300 V DC	97	164
LED Downlight	HZdim	16W	200 - 300 V DC	79	134
LED Downlight	Slim EcoMax	12W	n/a	105	178
LED Downlight	Slim EcoMax	24W	n/a	52	88
LED Downlight	Basic	12W	200 - 300 V DC	168	263
LED Downlight	Basic	22W	200 - 300 V DC	44	74
LED Spot	Performer 3C/RA	30W	200 - 300 V DC	13	22
LED Spot	Performer 3C/RA	45W	190 - 210 V DC	9	15
LED Spot	Performer 3C/RA	30W DALI / 45W DALI	180 - 260 V DC	8	14
LED Spot	HQ	7W Dim	200 - 300 V DC	181	307
LED Spot	HQ	8W Dim	190 - 210 V DC	240	408
LED Spot	Ecomax	4.5W	190 - 210 V DC	281	477
LED Spot	Ecomax	7W	180 - 260 V DC	181	307
LED Lowbay	Lowbay	30W / 50W	n/a	17	29
LED Highbay	Performer G3	80W / 80W DALI	176 - 280 V DC	11	19

Category	Series	Types	DC Input Voltage	Max. units per B16	Max. units per C16
LED Highbay	Performer G3	120W / 120W DALI	176 - 280 V DC	11	19
LED Highbay	Performer G3	160W / 160W DALI	176 - 280 V DC	11	18
LED Waterproof	EcoMax L650	10W	130 - 200 V DC	52	88
LED Waterproof	EcoMax L650	23W	190 - 220 V DC	42	70
LED Waterproof	EcoMax L1250	20W	190 - 220 V DC	44	73
LED Waterproof	EcoMax L1250	43W	140 - 215 V DC	28	47
LED Waterproof	EcoMax L1550	29W	140 - 215 V DC	32	54
LED Waterproof	EcoMax L1550	57W	140 - 215 V DC	19	33
LED Waterproof	Performer G2 L653	12.5W / 23W	150 - 300 V DC	66	111
LED Waterproof	Performer G2 L1263	23W	150 - 300 V DC	58	96
LED Waterproof	Performer G2 L1263	40W	150 - 300 V DC	66	111
LED Waterproof	Performer G2 L1563	27W / 51W	150 - 300 V DC	58	96
LED Waterproof	Performer G2 L1563	75W / 90W	180 - 260 V DC	6	11
LED Waterproof	Performer G2 L653	13W DALI	n/a	30	51
LED Waterproof	Performer G2 L653	24W DALI	n/a	24	40
LED Waterproof	Performer G2 L1263	24W DALI / 45W DALI	n/a	24	40
LED Waterproof	Performer G2 L1563	28W DALI / 55W DALI	n/a	24	40
LED Waterproof	Performer G2 L1563	75W / 90W	180 - 260 V DC	6	11
LED T8 Batten	T8 Batten	19W / 38W	150 - 300 V DC	44	74
LED Streetlight	Streetlight	20W / 40W	200 - 300 V DC	29	49
LED Streetlight	Streetlight	65W	190 - 210 V DC	11	18
LED Flood	EcoMax	10W / 20W	n/a	62	105
LED Flood	EcoMax	30W	310 V DC	44	74
LED Flood	EcoMax	50W	310 V DC	27	45
LED Flood	EcoMax	70W	310 V DC	19	32
LED Flood	Performer	90W / 125W / 160W	190 - 210 V DC	11	18
LED Wall-Mounted	EcoMax	13W	n/a	55	93
LED Wall-Mounted	EcoMax	20W	280 - 370 V DC	55	118
LED Porchlight	EcoMax	5W / 6W / 8W / 9W	n/a	200	340

Cut-Out conversion list

Cut-Out Overview																	
Cut-Out (mm)			Φ60	Φ68	Φ72	Φ76	Φ80	Φ95	Φ120	Φ125	Φ150	Φ172	Φ175	Φ200	Φ210		
LED Downlight	Performer	LED DL-RC-P HG/MW R150-11.5W (incl DALI/BLE)															
		LED DL-RC-P HG/MW R200-15W (incl DALI/BLE)															
		LED DL-RC-P HG/MW R200-23W (incl DALI/BLE)															
		LED DL-RC-P HG/MW R200-33W (incl DALI/BLE)															
	EcoMax	HZdim	LED DL-RC-HZ DIM R125-7W														
			LED DL-RC-HZ DIM R150-10W														
			LED DL-RC-HZ DIM R175-13W														
			LED DL-RC-HZ DIM R200-16W														
	Slim EcoMax	Slim	LED DL-SL-E R150-12W														
			LED DL-SL-E R200-24W														
			LED DL-SL-E Sq150-12W														
			LED DL-SL-E Sq200-24W														
	Basic	Basic	LED DL-RC-B Rd150 12W														
			LED DL-RC-B Rd200 22W														
	Cut-Out (mm)			Φ60	Φ68	Φ72	Φ76	Φ80	Φ95	Φ120	Φ125	Φ150	Φ172	Φ175	Φ200	Φ210	
	LED Spots	Performer	RA	LED SP-RA-P 30W													
LED SP-RA-P 45W																	
HQ		RA	LED SP-RA-HQ 7W														
			LED SP-RA-HQ 8W														
EcoMax		RF	LED-SP-RF 4.5W														
			LED-SP-RF 7W														
Decorative		Chalice	LED Chalice 4.5W														
		Ava	LED Ava 7W														
		Ava	LED Ava 9W														

Note: For Downlight Performer, HZ^{DIM} en Slim adapter rings are also available.

Index

Code	Description	Power (W)	Lumen	UGR	TC (K)	Page	Code	Description	Power (W)	Lumen	UGR	TC (K)	Page
140043898	LED E T5 batten 600 9W 800lm 3000K CT	9	800		3000K	52-53	140046186	LEDPanelRc-G Re298-36W-DALI-4000-WH-CT	36	3690	16	4000K	8-9
140043899	LED E T5 batten 600 9W 800lm 4000K CT	9	800		4000K	52-53	140046187	LEDPanelRc-G Re166-21W-DALI-3000-WH-CT	21	1800	16	3000K	8-9
140043900	LED E T5 batten 1200 18W 1600lm 3000K CT	18	1600		3000K	52-53	140046188	LEDPanelRc-G Re166-21W-DALI-4000-WH-CT	21	1900	16	4000K	8-9
140043901	LED E T5 batten 1200 18W 1600lm 4000K CT	18	1600		4000K	52-53	140048490	LEDPanel-SI-Suspension-Kit-CT					10-11
140043902	LED E T5 batten 900 11W S 3000K BL	11	950		3000K	54-55	140048587	LED-E-B38-E14-4W-Dim-2700K-FR-CT	4	250		2700K	82-83
140043903	LED E T5 batten 600 9W S 3000K BL	9	800		3000K	54-55	140048588	LED-E-B38-E14-6W-Dim-2700K-FR-CT	6	420		2700K	82-83
140043904	LED E T5 batten 300 4.5W S 3000K BL	5	400		3000K	54-55	140048593	LED-E-G50-E27-4W-Dim-2700K-FR-CT	4	250		2700K	86-87
140043967	LEDPanelRc-G Sq598-36W-3000-WH-CT	36	3800	16	3000K	8-9	140048594	LED-E-G50-E14-4W-Dim-2700K-FR-CT	4	250		2700K	86-87
140043968	LEDPanelRc-G Sq598-36W-4000-WH-CT	36	4050	16	4000K	8-9	140048595	LED-E-G50-E27-6W-Dim-2700K-FR-CT	6	420		2700K	86-87
140043969	LEDPanelRc-G Sq298-11W-3000-WH-CT	11	1050	16	3000K	8-9	140048596	LED-E-G50-E14-6W-Dim-2700K-FR-CT	6	420		2700K	86-87
140043970	LEDPanelRc-G Sq298-11W-4000-WH-CT	11	1090	16	4000K	8-9	140049619	LED HRS 7W Dim 2700K 30D Ava MW CT	7	310		2700K	40-41
140043971	LEDPanelRc-G Re298-36W-3000-WH-CT	36	3800	16	3000K	8-9	140049621	LED HRS 7W Dim 2700K 30D Ava BA CT	7	310		2700K	40-41
140043972	LEDPanelRc-G Re298-36W-4000-WH-CT	36	4050	16	4000K	8-9	140049625	LED HRS 9W Dim 2700K 30D Ava MW CT	9	430		2700K	40-41
140043973	LEDPanelRc-G Re166-21W-3000-WH-CT	21	2000	16	3000K	8-9	140049627	LED HRS 9W Dim 2700K 30D Ava BA CT	9	430		2700K	40-41
140043974	LEDPanelRc-G Re166-21W-4000-WH-CT	21	2090	16	4000K	8-9	140051060	LED P T8 glass 600 9W 100pct 3000K CT	9	1000		3000K	92-93
140044049	LEDHighbay-POLE-CT					56-57	140051061	LED P T8 glass 600 9W 100pct 4000K CT	9	1000		4000K	92-93
140044050	LEDHighbay-Bracket10-CT					56-57	140051145	LED-E-A60-FILA-E27-4W-2700K-CL-BL	4	470		2700K	78-79
140044054	LEDPanelRc-G Sq598-Surface Module-CT					8-9	140051146	LED-E-A60-FILA-E27-6W-2700K-CL-BL	6	806		2700K	78-79
140044055	LEDPanelRc-G Re298-Surface Module-CT					8-9	140051147	LED-E-B35-FILA-E14-2W-2700K-CL-BL	2	249		2700K	80-81
140044056	LEDPanelRc-G Sq298-Surface Module-CT					8-9	140051148	LED-E-B35-FILA-E14-4W-2700K-CL-BL	4	470		2700K	80-81
140044057	LEDPanelRc-G Re166-Surface Module-CT					8-9	140051151	LED-E-P45-FILA-E14-2W-2700K-CL-BL	2	249		2700K	80-81
140044075	LED E T5 batten 900 11W S 4000K BL	11	950		4000K	54-55	140051152	LED-E-P45-FILA-E14-4W-2700K-CL-BL	4	470		2700K	80-81
140044076	LED E T5 batten 600 9W S 4000K BL	9	800		4000K	54-55	140051474	LEDDownlightRc-HZ R125-7W-Dim-3000-WH	7	600		3000K	22-23
140044077	LED E T5 batten 300 4.5W S 4000K BL	5	400		4000K	54-55	140051475	LEDDownlightRc-HZ R125-7W-Dim-4000-WH	7	600		4000K	22-23
140044080	LEDSpotRA-HQ 7W-Dim-3000-40D-AL-CT	7	420	16	3000K	36-37	140051476	LEDDownlightRc-HZ R150-10W-Dim-3000-WH	10	900		3000K	22-23
140044084	LEDSpotRA-HQ 7W-Dim-4000-40D-AL-CT	7	450	16	4000K	36-37	140051477	LEDDownlightRc-HZ R150-10W-Dim-4000-WH	10	900		4000K	22-23
140044096	LEDSpotRA-HQ 7W-Dim-3000-40D-WH-CT	7	420	16	3000K	36-37	140051478	LEDDownlightRc-HZ R175-13W-Dim-3000-WH	13	1200		3000K	22-23
140044100	LEDSpotRA-HQ 7W-Dim-4000-40D-WH-CT	7	450	16	4000K	36-37	140051479	LEDDownlightRc-HZ R175-13W-Dim-4000-WH	13	1200		4000K	22-23
140044135	LED HC260 11W 2700K Eros BS CT	11	650		2700K	46-47	140051480	LEDDownlightRc-HZ R200-16W-Dim-3000-WH	16	1500		3000K	22-23
140044147	LED HC140 8W 2700K Doris MW CT	8	600		2700K	48-49	140051481	LEDDownlightRc-HZ R200-16W-Dim-4000-WH	16	1500		4000K	22-23
140044149	LED HC140 8W 2700K Doris BS CT	8	600		2700K	48-49	140051994	LEDWall-Mounted Rd300-13W-4000-WH	13	1100		4000K	74-75
140044151	LED HC230 14W 2700K Doris MW CT	14	1200		2700K	48-49	140051995	LEDWall-Mounted Rd300-13W-4000-MD-WH	13	1100		4000K	74-75
140044152	LED HC230 14W 4000K Doris MWCT	14	1200		4000K	48-49	140051998	LEDWall-Mounted Rd300-13W-3000-WH	13	1000		3000K	74-75
140044153	LED HC230 14W 2700K Doris BS CT	14	1200		2700K	48-49	140051999	LEDWall-Mounted Rd300-13W-3000-MD-WH	13	1000		3000K	74-75
140044155	LED HC1818 11W 2700K Pallas MW CT	11	900		2700K	50-51	140052026	LED P T8 glass 600 9W 100pct 6500K CT	9	1000		6500K	92-93
140044157	LED HC1818 11W 2700K Pallas BS CT	11	900		2700K	50-51	140053150	LEDPanelRc-SI-E Mounting-Springs					12-13
140044159	LED HC2323 12W 2700K Pallas MW CT	12	1050		2700K	50-51	140054053	LEDPanelSp-Z L1222-75W-DALI-3000-AL	75	7200	19	3000K	16-17
140044160	LED HC2323 12W 4000K Pallas MW CT	12	1050		4000K	50-51	140054054	LEDPanelSp-Z L1222-75W-DALI-4000-AL	75	7200	19	4000K	16-17
140044161	LED HC2323 12W 2700K Pallas BS CT	12	1050		2700K	50-51	140054076	LEDSpotRF-E 4.5W-2700-36D-AL-CT	5	330		2700K	38-39
140044292	LED E T5 batten 1200 13W S 4000K BL	13	1200		4000K	54-55	140054077	LEDSpotRF-E 4.5W-4000-36D-AL-CT	5	350		4000K	38-39
140044293	LED E T5 batten 1200 13W S 3000K BL	13	1200		3000K	54-55	140054078	LEDSpotRF-E 4.5W-2700-36D-WH-CT	5	330		2700K	38-39
140044419	LEDSpotRA-HQ 7W-Dim-2700-40D-AL-CT	7	400	16	2700K	36-37	140054079	LEDSpotRF-E 4.5W-4000-36D-WH-CT	5	350		4000K	38-39
140044423	LEDSpotRA-HQ 7W-Dim-2700-40D-WH-CT	7	400	16	2700K	36-37	140054439	LEDSpot3C-P 30W-3000-40D-WH	30	2400		3000K	32-33
140044686	LED E P45 E27 4W 2700K FR CT		250		2700K	84-85	140054443	LEDSpot3C-P 30W-3000-40D-BL	30	2400		3000K	32-33
140044688	LED E P45 E14 4W 2700K FR CT		250		2700K	84-85	140054447	LEDSpot3C-P 30W-4000-40D-WH	30	2550		4000K	32-33
140046181	LEDPanelRc-G Sq598-36W-DALI-3000-WH-CT	36	3450	16	3000K	8-9	140054451	LEDSpot3C-P 30W-4000-40D-BL	30	2550		4000K	32-33
140046182	LEDPanelRc-G Sq598-36W-DALI-4000-WH-CT	36	3690	16	4000K	8-9	140054455	LEDSpotRA-P 30W-3000-40D-WH	30	2400	19	3000K	34-35
140046183	LEDPanelRc-G Sq298-13W-DALI-3000-WH-CT	13	930	16	3000K	8-9	140054459	LEDSpotRA-P 30W-4000-40D-WH	30	2550	19	4000K	34-35
140046184	LEDPanelRc-G Sq298-13W-DALI-4000-WH-CT	13	990	16	4000K	8-9	140054491	LEDflood-E Re250-30W-4000	30	3000		4000K	70-71
140046185	LEDPanelRc-G Re298-36W-DALI-3000-WH-CT	36	3450	16	3000K	8-9	140054492	LEDflood-E Re280-50W-4000	50	5000		4000K	70-71

Appendix 4

Version April 2018
Data subject to change

Code	Description	Power (W)	Lumen	UGR	TC (K)	Page	Code	Description	Power (W)	Lumen	UGR	TC (K)	Page
140063563	LEDSmartlight-Rc-Sensor					30-31	140064482	LEDPorch-E Re120-8W-4000K-WH	8	800		4000K	76-77
140063564	LEDSmartlight-Switch					30-31	140064483	LEDPorch-E Re120-9W-3000K-MD-WH	9	765		3000K	76-77
140063611	LEDDownlightRc-P-HG R150-11.5W-BLE-3000	12	1150	19	4000K	18-19	140064484	LEDPorch-E Re120-9W-4000K-MD-WH	9	810		4000K	76-77
140063612	LEDDownlightRc-P-HG R150-11.5W-BLE-4000	12	1200	19	4000K	18-19	140064594	LEDHighbay-P3-Ball-Proof-160					56-57
140063613	LEDDownlightRc-P-HG R200-15W-BLE-3000	15	1600	19	3000K	18-19	140064595	LEDHighbay-P3-Ball-Proof-80-120					56-57
140063614	LEDDownlightRc-P-HG R200-15W-BLE-4000	15	1660	19	4000K	18-19	140065060	LEDFlood-E-Motion-Daylight-Sensor					68-69
140063615	LEDDownlightRc-P-HG R200-23W-BLE-3000	23	2350	19	3000K	18-19	140065922	LEDStreetlight 20W-4000K-SE	20	2500		4000K	66-67
140063616	LEDDownlightRc-P-HG R200-23W-BLE-4000	23	2400	19	4000K	18-19	140066204	LED E C module 22W DIM 2700K Clío CT	22	1800		2700K	96-97
140063617	LEDDownlightRc-P-HG R200-33W-BLE-3000	33	3360	22	3000K	18-19	140066205	LED E C module 22W DIM 4000K Clío CT	22	2000		4000K	96-97
140063618	LEDDownlightRc-P-HG R200-33W-BLE-4000	33	3500	22	4000K	18-19	140066206	LED E C module 36W DIM 2700K Clío CT	36	2800		2700K	96-97
140063619	LEDDownlightRc-P-MW R150-11.5W-BLE-3000	12	1150	19	3000K	20-21	140066207	LED E C module 36W DIM 4000K Clío CT	36	3000		4000K	96-97
140063620	LEDDownlightRc-P-MW R150-11.5W-BLE-4000	12	1200	19	4000K	20-21	140066385	LEDStreetlight 40W-4000K-SE	40	4600		4000K	66-67
140063621	LEDDownlightRc-P-MW R200-15W-BLE-3000	15	1600	19	3000K	20-21	140066573	LED E C module 12W 2700K Clío CT	12	1000		2700K	96-97
140063622	LEDDownlightRc-P-MW R200-15W-BLE-4000	15	1660	19	4000K	20-21	140066574	LED E C module 12W 4000K Clío CT	12	1100		4000K	96-97
140063623	LEDDownlightRc-P-MW R200-23W-BLE-3000	23	2350	19	3000K	20-21	140066575	LED E C module 16W 2700K Clío CT	16	1400		2700K	96-97
140063624	LEDDownlightRc-P-MW R200-23W-BLE-4000	23	2400	19	4000K	20-21	140066576	LED E C module 16W 4000K Clío CT	16	1600		4000K	96-97
140063625	LEDDownlightRc-P-MW R200-33W-BLE-3000	33	3360	22	3000K	20-21	140066707	LEDPanelRc-S-B Sq595-36W-4000-WH-U19	36	3240	19	4000K	14-15
140063626	LEDDownlightRc-P-MW R200-33W-BLE-4000	33	3500	22	4000K	20-21	140067185	LEDPanelRc-S-B Sq595-36W-4000-WH	36	3240	22	4000K	14-15
140063683	LEDSpotRA-P 30W-3000-40D-WH-DALI	30	2400	19	3000K	34-35	52002000100	LED HC300 12W 2700K Apollo III	12	1000		2700K	44-45
140063687	LEDSpotRA-P 30W-4000-40D-WH-DALI	30	2550	19	4000K	34-35	52002000200	LED HC300 12W 4000K Apollo III	12	1100		4000K	44-45
140063707	LEDSpotRA-P 45W-3000-36D-WH-DALI	45	3375	19	3000K	34-35	52002100300	LED HC350 16W 2700K IP44 Apollo III	16	1300		2700K	44-45
140063711	LEDSpotRA-P 45W-4000-36D-WH-DALI	45	3600	19	4000K	34-35	52002100400	LED HC350 16W 4000K IP44 Apollo III	16	1400		4000K	44-45
140063714	LEDPanelRc-S Sq595-30W-3000-WH-U19	30	3300	19	3000K	10-11	540001000410	LEDDownlightRc-B Rd200-22W-4000-WH	22	1870	22	4000K	26-27
140063715	LEDPanelRc-S Sq595-30W-4000-WH-U19	30	3500	19	4000K	10-11	540001000510	LEDDownlightRc-B Rd150-12W-4000-WH	12	960	22	4000K	26-27
140063717	LEDPanelRc-S Re295-30W-3000-WH-U19	30	3300	19	3000K	10-11	543014002700	LEDStreetlight 65W-4000K-SE	65	7475		4000K	66-67
140063718	LEDPanelRc-S Re295-30W-4000-WH-U19	30	3500	19	4000K	10-11	543022000100	LEDWaterproof-P2 L1563-90W-4000	90	11700		4000K	58-59
140063723	LEDPanelRc-S Sq595-30W-DALI-3000-WH-U19	30	3300	19	3000K	10-11	543022000200	LEDWaterproof-P2 L1563-75W-4000	75	9375		4000K	58-59
140063724	LEDPanelRc-S Sq595-30W-DALI-4000-WH-U19	30	3500	19	4000K	10-11	543098000800	LEDStreet-SE-Adapter-60					66-67
140063726	LEDPanelRc-S Re295-30W-DALI-3000-WH-U19	30	3300	19	3000K	10-11	543098000900	LEDStreet-SE-Pole-Top-Adapter-76					66-67
140063727	LEDPanelRc-S Re295-30W-DALI-4000-WH-U19	30	3500	19	4000K	10-11	543098001000	LEDStreet-SE-Pole-Top-Adapter-60					66-67
140063733	LEDPanelRc-S S595-30W-DALI-4000-U19-IP54	30	3500	19	4000K	10-11	543098001100	LEDStreet-SE-Wall-Bracket					66-67
140064477	LEDPorch-E Re120-5W-3000K-WH	5	450		3000K	76-77	545002000300	LEDLowbay-E 50W-4000-120D	50	5000		4000K	42-43
140064478	LEDPorch-E Re120-5W-4000K-WH	5	500		4000K	76-77	545002000400	LEDLowbay-E 50W-4000-60D	50	5000		4000K	42-43
140064479	LEDPorch-E Re120-6W-3000K-MD-WH	6	480		3000K	76-77	545002000500	LEDLowbay-E 30W-4000-120D	30	3000		4000K	42-43
140064480	LEDPorch-E Re120-6W-4000K-MD-WH	6	510		4000K	76-77	545002000600	LEDLowbay-E 30W-4000-60D	30	3000		4000K	42-43
140064481	LEDPorch-E Re120-8W-3000K-WH	8	720		3000K	76-77	599000001600	Light-master-II					98

Definition of terms

CRI (Ra)

Colour Rendering Index

A color rendering index (CRI) is a quantitative measure of the ability of a light source to reveal the colors of various objects faithfully in comparison with an ideal or natural light source.

CCT

Color temperature in Kelvin

The color temperature of a light source is the temperature of an ideal black-body radiator that radiates light of comparable color to that of the light source.

lm

lumen

The lumen (symbol: lm) is a measure of the total quantity of visible light emitted by a source

lx

lux

lumen/m²

The lux (symbol: lx) is measuring luminous flux per unit area. It is equal to one lumen per square metre. In photometry, this is used as a measure of the intensity, as perceived by the human eye, of light that hits or passes through a surface.

Efficacy

lm/W

Amount of light produced (lm) per unit of energy consumed (W) Luminous efficacy is a measure of how well a light source produces visible light. It is the ratio of luminous flux to power, measured in lumens per watt

UGR

Unified Glare Rating

The unified glare rating (UGR) is a measure of the glare in a given environment. It is basically the logarithm of the glare of all visible lamps, divided by the background lumination.

DALI

Digital Addressable Lighting Interface

Digital Addressable Lighting Interface (DALI) is a trademark for network-based systems that control lighting in building automation.

SDCM

standard deviation of color matching

SDCM has the same meaning as a "MacAdam ellipse". A 1-step MacAdam ellipse defines a zone in the CIE 1931 2 deg (xy) colour space within which the human eye cannot discern colour difference.

Power factor (pf)

Difference between power and apparent power

The power factor of an AC electrical power system is defined as the ratio of the real power flowing to the load to the apparent power in the circuit and is a dimensionless number in the closed interval of -1 to 1. A power factor of less than one means that the

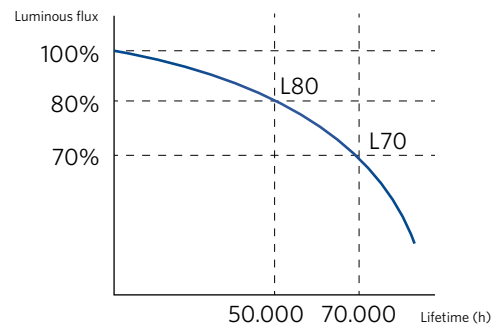
voltage and current waveforms are not in phase, reducing the instantaneous product of the two waveforms.

L70B50

Lifespan: 50% of the installed luminaires, gives min. 70% lightoutput

L80B50

Lifespan: 50% of the installed luminaires, gives min. 80% lightoutput



L70B50, L80B50 are as described in IEC 62717 and IEC 62722-2-1.

Input current

The steady state current which a device uses from the net after switch-on

Inrush Current

The maximum current that will occur during a short period of time after switching on of the luminaire.

IP

International Protection Rating

- The IP Code, International Protection Marking, IEC standard 60529, sometimes interpreted as Ingress Protection Marking, classifies and rates the degree of protection provided against intrusion (body parts such as hands and fingers), dust, accidental contact, and water by mechanical casings and electrical enclosures. It is published by the International Electrotechnical Commission (IEC). The equivalent European standard is EN 60529.
- The IP code consists of two digits. First digit: Solid particle protection. Second digit: Liquid ingress protection

1. The first digit indicates the level of protection that the enclosure provides against access to hazardous parts

- IP 0* No protection against contact and ingress of objects
- IP 1* Any large surface of the body, such as the back of a hand, but no protection against deliberate contact with a body part (> 50 mm)
- IP 2* Fingers or similar objects > 12.5 mm)
- IP 3* Tools, thick wires, etc. > 2.5mm)
- IP 4* Most wires, slender screws, large ants etc. 1 mm
- IP 5* Ingress of dust is not entirely prevented, but it must not

enter in sufficient quantity to interfere with the satisfactory operation of the equipment.

IP 6* No ingress of dust; complete protection against contact (dust tight). A vacuum must be applied. Test duration of up to 8 hours based on air flow.

2. The second digit indicates the level of protection that the enclosure provides against harmful ingress of water.

IP *0 None

IP *1 Dripping water (vertically falling drops) shall have no harmful effect on the specimen when mounted in an upright position onto a turntable and rotated at 1 RPM.

IP *2 Vertically dripping water shall have no harmful effect when the enclosure is tilted at an angle of 15° from its normal position. A total of four positions are tested within two axes.

IP *3 Water falling as a spray at any angle up to 60° from the vertical shall have no harmful effect, utilizing either:
a) an oscillating fixture, or b) A spray nozzle with a counterbalanced shield. Test a) is conducted for 5 minutes, then repeated with the specimen tilted 90° for the second 5-minute test. Test b) is conducted (with shield in place) for 5 minutes minimum.

IP *4 Water splashing against the enclosure from any direction shall have no harmful effect, utilizing either: a) an oscillating fixture, or b) A spray nozzle with no shield. Test a) is conducted for 10 minutes. Test b) is conducted (without shield) for 5 minutes minimum.

IP *5 Water projected by a nozzle (6.3 mm) against enclosure from any direction shall have no harmful effects.

IP *6 Water projected in powerful jets (12.5 mm nozzle) against the enclosure from any direction shall have no harmful effects.

IP *7 Ingress of water in harmful quantity shall not be possible when the enclosure is immersed in water under defined conditions of pressure and time (up to 1 m of submersion).

IP *8 The equipment is suitable for continuous immersion in water under conditions which shall be specified by the manufacturer. However, with certain types of equipment, it can mean that water can enter but only in such a manner that it produces no harmful effects. The test depth and/or duration is expected to be greater than the requirements for IPx7, and other environmental effects may be added, such as temperature cycling before immersion.

IP *9 Protected against close-range high pressure, high temperature spray downs. Smaller specimens rotate slowly on a turntable, from 4 specific angles. Larger specimens are mounted upright, no turntable required, and are tested freehand for at least 3 minutes at distance of 0.15-0.2 m."

IK

This is an international numeric classification for the degrees of protection provided by enclosures for electrical equipment against external mechanical impacts. It provides a means of specifying the capacity of an enclosure to protect its contents from external impacts.

The most common IK values are:

- IK 02 Impact Resistance 0.2 Joules
Standard impact resistance, for example, a standard fixture
- IK 04 Impact Resistance 0.5 Joules
Standard Plus impact resistance, for example, a standard luminaire with an enhanced optical system
- IK 07 Shock resistance 2 Joule
Fortified fixture, for example, a standard fixture with a grid
- IK 08 Resistance to shock of 5 Joules
Vandalism protective fixture, such as a closed luminaire with polycarbonate or glass shade
- IK 10 Shock resistance 20 Joules
Vandal-proof fixture, for example a closed luminaire

SKG

SKG has developed into the partner for safeguarding the long-term performance and safety of industrial products for the building envelope.

Protection class

IEC protection classes are defined in IEC 61140 and used to differentiate between the protective-earth connection requirements of devices. These appliances must have their chassis connected to electrical earth.

- Class 0 These appliances have no protective-earth connection and feature only a single level of insulation between live parts and exposed metalwork. If permitted at all, Class 0 items are intended for use in dry areas only.
- Class 1 These appliances must have their chassis connected to electrical earth (US: ground) by a separate earth conductor (coloured green/yellow in most countries, green in the US, Canada and Japan). The earth connection is achieved with a 3-conductor mains cable, typically ending with 3-prong AC connector which plugs into a corresponding AC outlet.
- Class 01 Electrical installations where the chassis is connected to earth with a separate terminal, instead of via the mains cable. In effect this provides the same automatic disconnection as Class I, for equipment that otherwise would be Class 0
- Class 2 A Class II or double insulated electrical appliance is one which has been designed in such a way that it does not require a safety connection to electrical earth (ground).
- Class 3 A Class III appliance is designed to be supplied from a separated/safety extra-low voltage (SELV) power source. The voltage from a SELV supply is low enough that under normal conditions a person can safely come into contact with it without risk of electrical shock. The extra safety features built into Class I and Class II appliances are therefore not required. For medical devices, compliance with Class III is not considered sufficient protection, and further more-stringent regulations apply to such equipment.

OPPLE

OPPLE LIGHTING

Materiaalweg 6
5681 RJ Best, The Netherlands

T +31 (0) 88 056 7888

E service@opple.com

OPPLE.COM